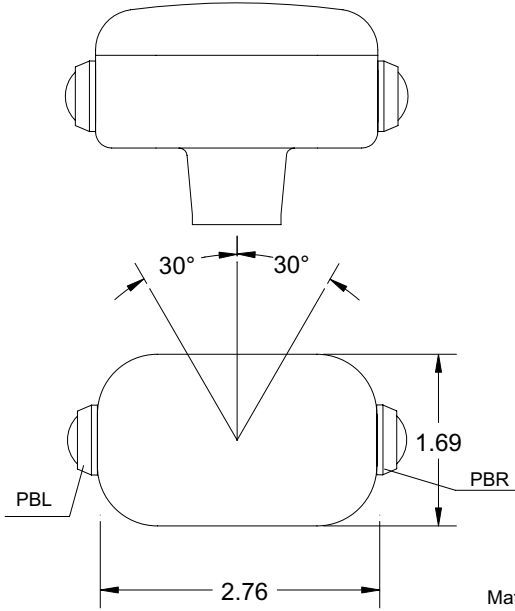


# MG13 Handle

## PRO-4, VCSO, CS1, VCS2, VNSO, VNS2



The MG13 twist handle can accommodate up to (4) 2 amp contacts. Single or Bi-directional operation is available with step or stepless action.

Handle with shaft coupling  
Microswitch rating 2A 24VDC

Type  
G13\_\_\_\_

Twist handle with detent		Twist handle without detent		Type
<b>S1</b> 	<b>T1</b> 			
<b>S2</b> 	<b>T2</b> 			G13__S2 G13__T2
<b>S11</b> 	<b>T11</b> 			G13__S11 G13__T11
<b>S22</b> 	<b>T22</b> 			G13__S22 G13__T22
Push-button left side or right side				__PBL__ __PBR__
Mechanical Interlock - lift collar to operate				Z
Hall-Effect analog signal Available upon request				A