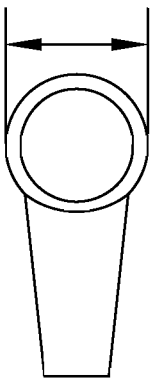


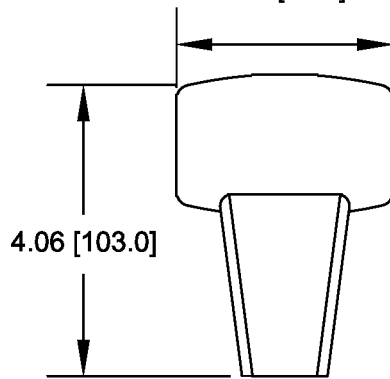
MG2

ROUND T HANDLE WITH MOUNTING COUPLING FOR PRO-4, PRO-6, VCSO, CS1, VCS2, VNSO, XL-VNSO, VNS2

Ø1.93 [49.0]



2.91 [74.0]



4.06 [103.0]

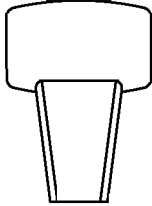
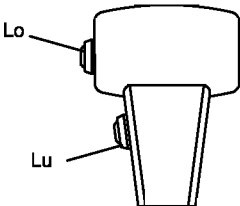
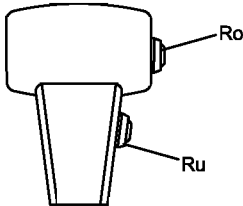
Ratings:

Push-buttons: Momentary
1 A 28 VDC
1 N.O.

Wiring Max.: 4 wires 24 gauge
Teflon superflex

Handle protection IP54

Consult factory for other contact options

| PB locations (operator view) | Type | Description |
|---|------------------------------|---|
|  | MG2 | Without buttons |
|  | MG2 Lo MG2 Lu MG2 LoLu | Push-button left upper Push-button left lower Push-button left upper and lower |
|  | MG2 Ro MG2 Ru MG2 RoRu | Push-button right upper Push-button right lower Push-button right upper and lower |

Key designation

MG2 S0 Ro
S2

