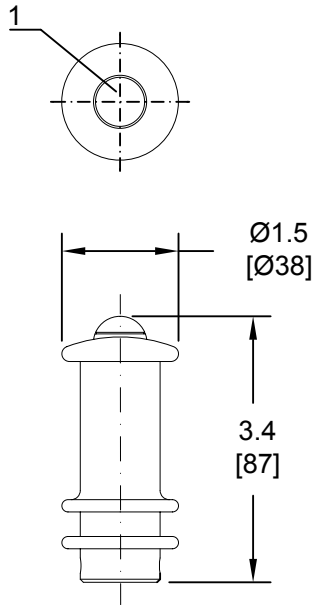


PALM HANDLES MG9, MG25 DIMENSIONS

MG9

IP 56

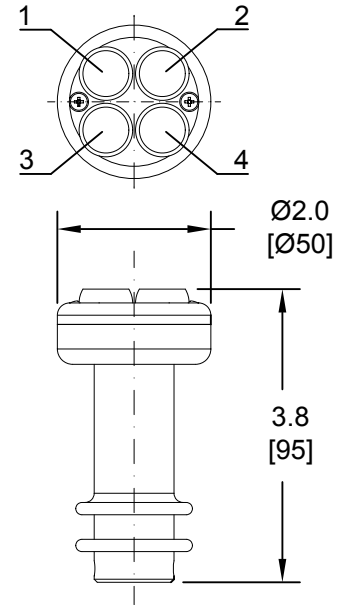
1 push button max.



MG9-4

IP 56

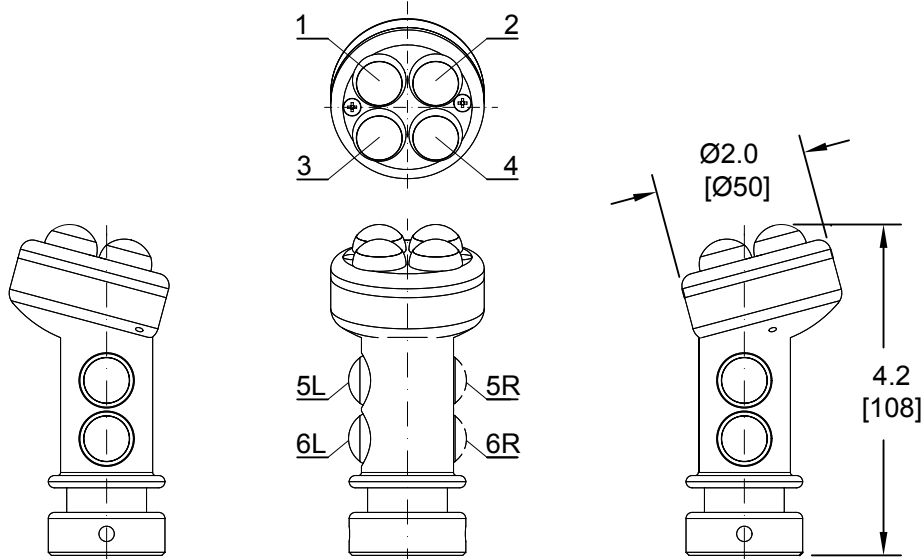
4 push buttons max.



MG25

IP 56

6 push buttons max.



ORDERING EXAMPLE:

MG9 8
 MG9-4 10
 MG25 12 2 RED

Type _____

Ø shaft mm

PRO4, PRO6, CS1, VCS2,
 CS3HD, VNSO, XLVNSO, VNS2

Push button in position 2 red

NOTE:

1. Push button: 1 N.O. - 1A, 28 VDC.
2. Number of conductors may be limited on some controllers.
3. 28 VDC max.
4. Overall handle IP protection rating is dependent on push button manufacturers ratings.