

# TH30 TWIST HANDLE



The TH30 twist handle provides proportional twist operation enabling third axis control on dual axis joystick configurations. Boasting a robust design, the TH30 is constructed to withstand the most demanding applications and is available with a 5K or 10K potentiometer output.



PRECISION  
ROTATION



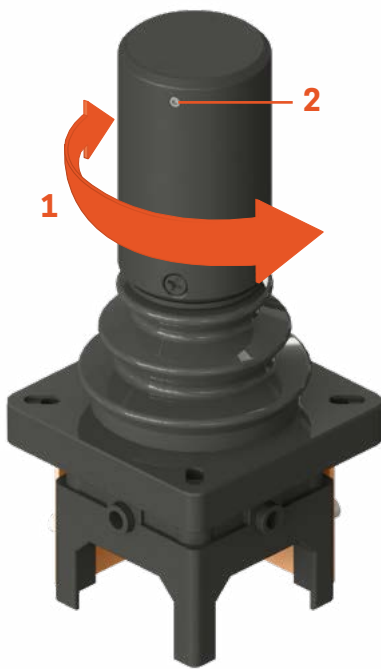
ROBUST  
DESIGN



IP54  
PROTECTION



Shown with  
CS3 boot



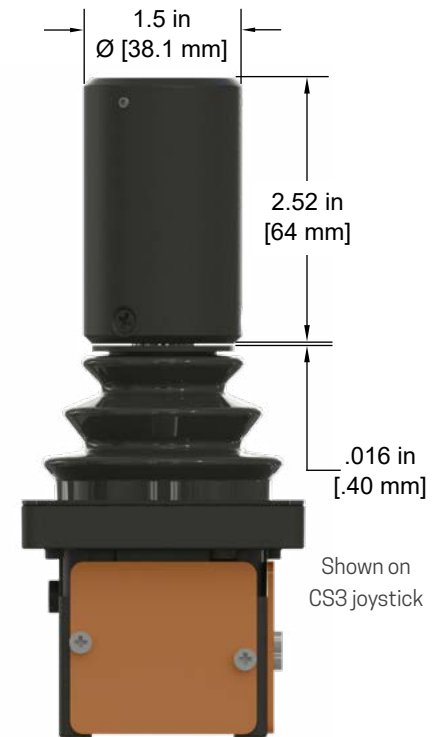
## Features

- 1 Spring Return Rotation**  
+/- 75 degree twist
- 2 External Centering**  
Allows for external centering of potentiometer without having to disassemble the handle

## Output Options

- 5K 3-Wire Potentiometer
- 10K 3-Wire Potentiometer

## Dimensions & Wiring Details



## Compatibility



CS1



CS3



CS3 B/B



PRO-4



PRO-6