

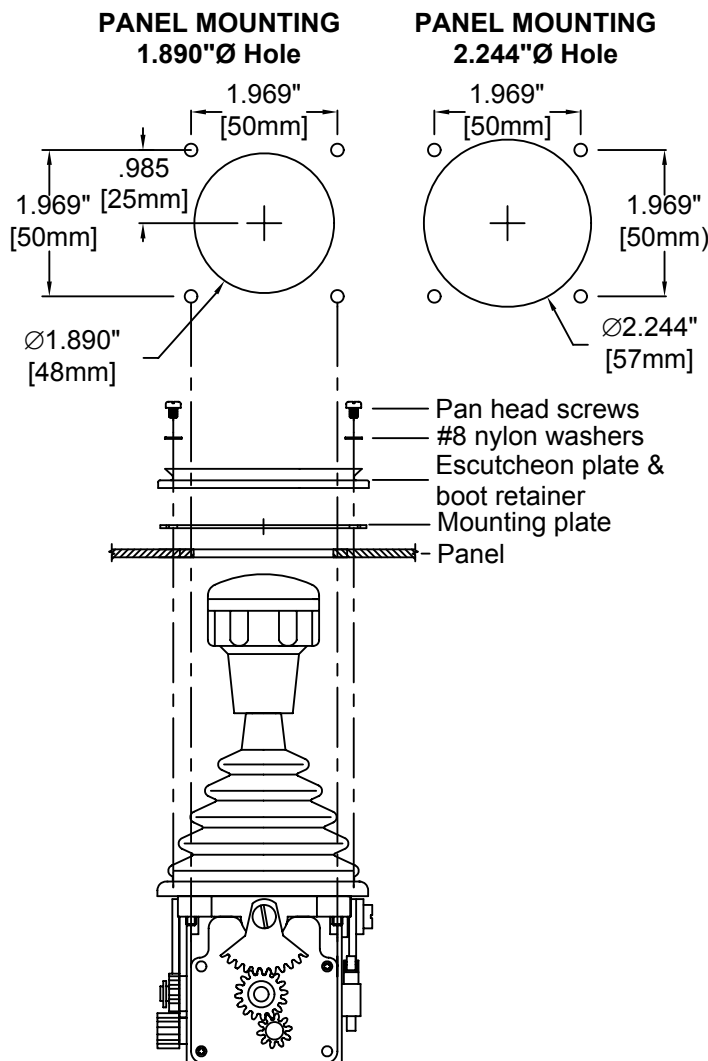
CS1 JOYSTICK SERVICE BULLETIN

Installation Instructions

5 Hole Mounting with 1.890"Ø (48mm) or 2.244"Ø (57mm) Center Hole:

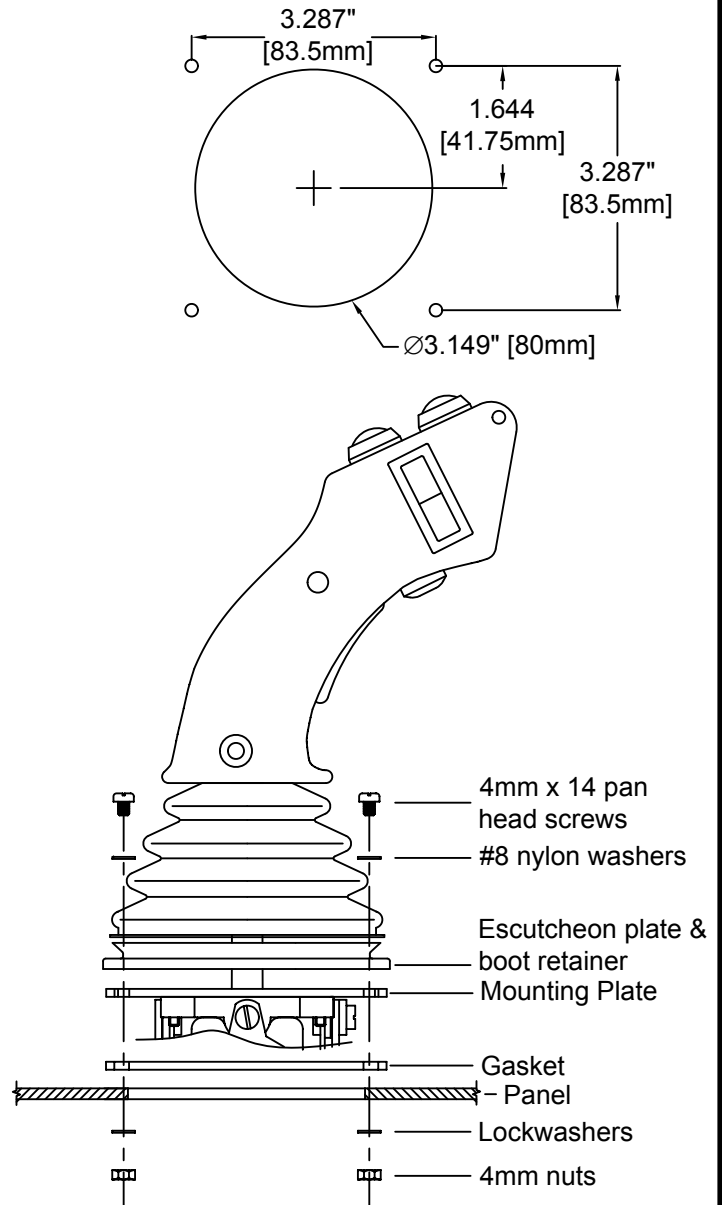
The following handles fit through the 1.890"Ø hole:
Round Ball, RHS, RH with small skirt, BH, Push buttons, 2 piece and TH20 Hall-effect twist.

The following handles fit through the 2.244"Ø hole: RH with full skirt and MG1.



5 Hole Drop-In Mounting with 3.149"Ø (80mm) Center Hole and adapter plate.

The 3.149"Ø hole will accommodate Fighter Grips and all other handle assemblies.



⚠ Important: 1 and 2 axis Joysticks are supplied with deadman spring return of handles to neutral. Electronic deadman control is available for applications requested with maintained handle action. (Consult factory).

J.R. MERRITT
CONTROLS, INC.

Stratford, CT • 1-800-333-5762 • www.jrmerritt.com