

FG-4 FIGHTER GRIP HANDLE



FG4



FG4



FG4-R/L



FG4-R/L



FG4-R-HRL



FG4-L-HRR

HANDLE FORM	HANDLE DESCRIPTION	TYPE	PROTECTION RATING
	Narrow handle with coupling for CS3HD, VNSO, XL-VNSO, NNSO, VNS2	FG4	IP56
	Right wide, left narrow handle with coupling for CS3HD, VNSO, XL-VNSO, NNSO, VNS2	FG4-R	IP56
	Right narrow, left wide handle with coupling for CS3HD, VNSO, XL-VNSO, NNSO, VNS2	FG4-L	IP56
	Right and left wide handle with coupling for CS3HD, VNSO, XL-VNSO, NNSO, VNS2	FG4-R/L	IP56
LOCATION	ADDITIONS		
	Hand-rest, right hand side can be field mounted	HRR	IP56
	Hand-rest, left hand side can be field mounted	HRL	IP56
1, 2, 3, 4, 6R, 6L, 7R, 7L, 8, 9, 10, 11	Push button: 1NO, contact rating: 48 VAC-500 mA, 24 VDC-2A Color: GRN YEL RED BLK BLU	1, 2, 3, 4, 6R, 6L, 7R, 7L, 8, 9, 10, 11 color	IP56
5	Deadman: 1NO, contact rating: 24 VDC-2A	T	IP54
7R, 7L	Rocker switch maintained 0-1 Rocker switch maintained 1-0-1 Rocker switch momentary 0-1 Rocker switch momentary 1-0-1	IP40 silver contacts	W1S W2S W1T W2T-standard IP40
Z	Twist handle with potentiometer and directional contacts	DP-GDLR55	IP56
	Twist handle with hall sensor	DH	IP56
	Twist handle with hall sensor & directional contacts	DH-8H1	
	Twist handle with redundant hall sensors	DHH	
	Twist handle 1-0-1, each direction 1NC, 1NO	DM	IP56

ORDERING EXAMPLE: FG4 8 HRL 2RED 5T DH
 FG4-L 12 HRR DM
 FG4-R
 FG4-R/L

Type } Adapter for CS3HD, VNSO, XL-VNSO, NNSO
 } Adapter for VNS2

Twist handle
 Deadman
 Push button in position 2 red
 Hand rest

NOTE:

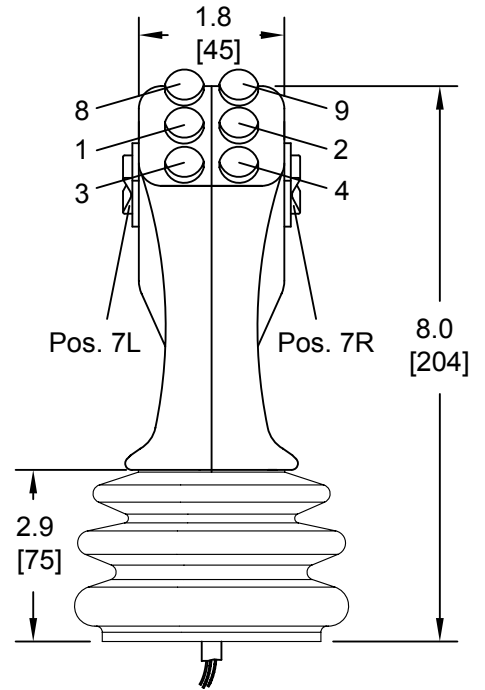
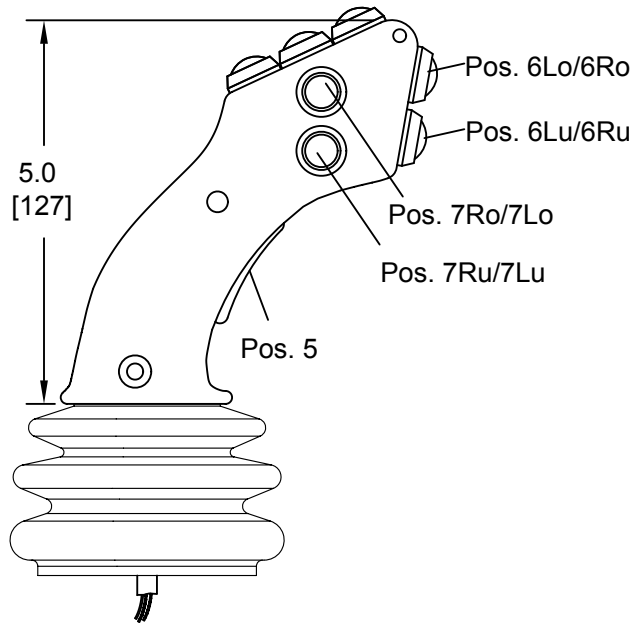
1. Due to space restrictions not all variations of options are available in all positions.
2. 30 VDC max.
3. Overall IP protection rating is dependent on manufacturers ratings for device selected.
4. Custom handle options available on request.



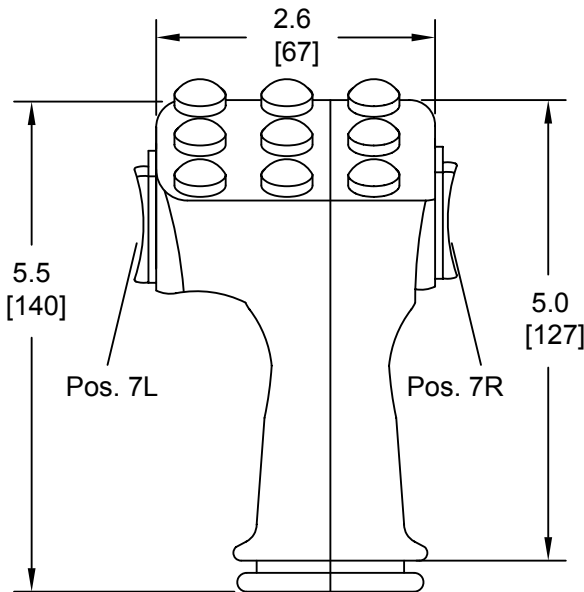
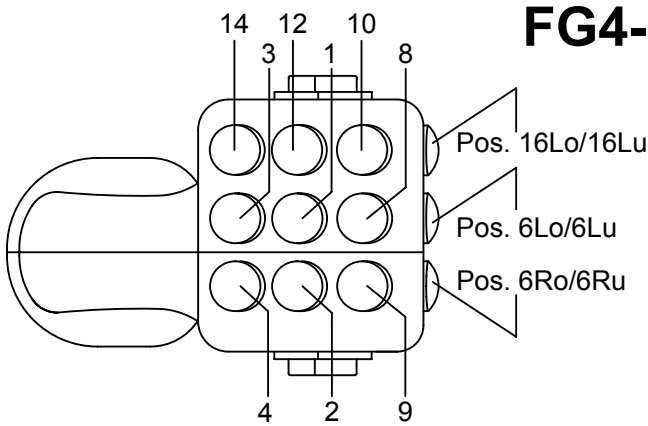
Stratford, CT • 1-800-333-5762 • www.jrmerritt.com

FG4 FIGHTER GRIP HANDLE PB LOCATION

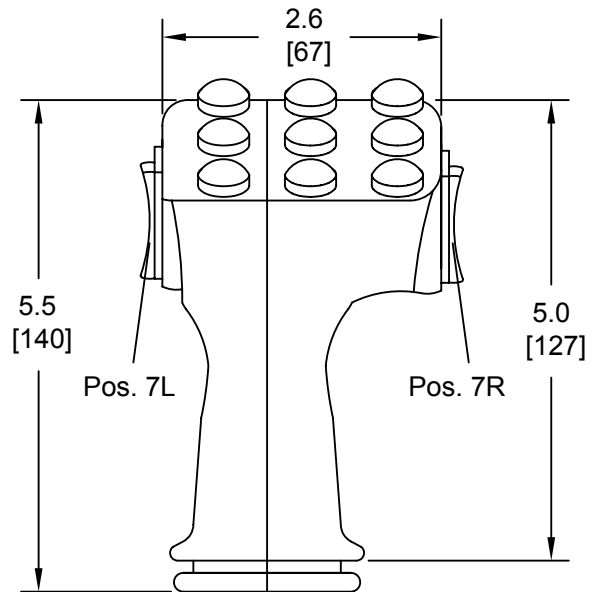
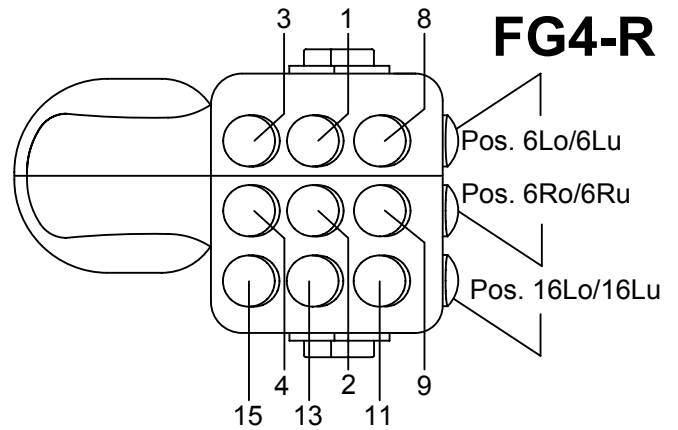
FG4



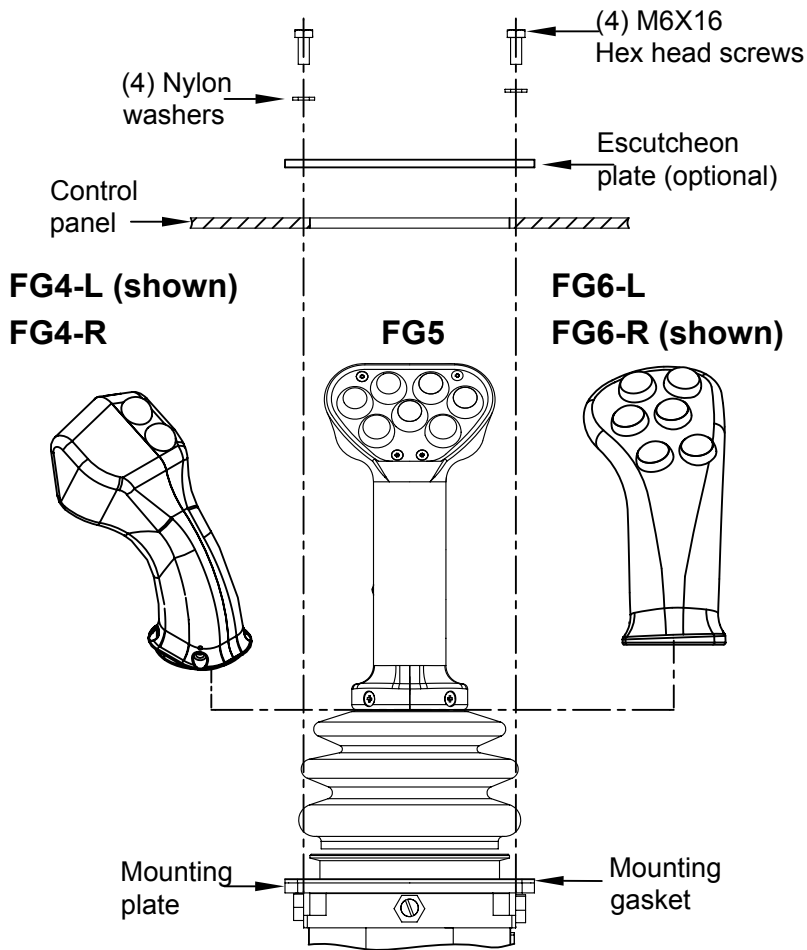
FG4-L



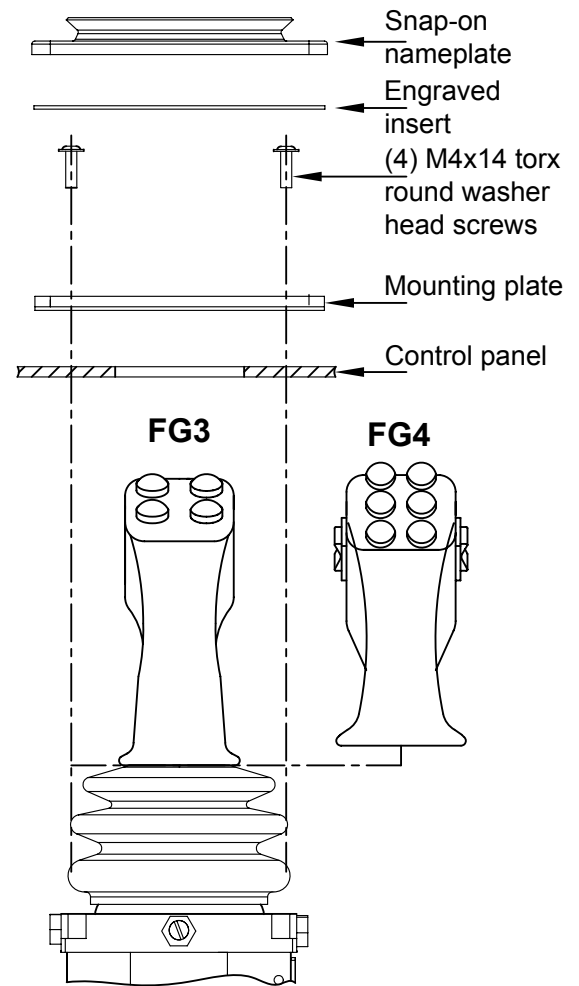
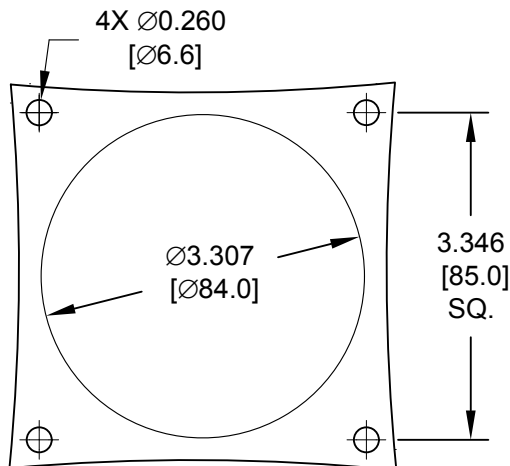
FG4-R



FIGHTER GRIP HANDLE MOUNTING DETAILS



MOUNTING CONFIGURATION AND PANEL CUTOUT FOR VNSO AND XL-VNSO WITH FG4-L, FG4-R, FG5, FG6-L AND FG6-R HANDLES



MOUNTING CONFIGURATION AND PANEL CUTOUT FOR VNSO AND XL-VNSO WITH FG3 AND FG4 HANDLES

