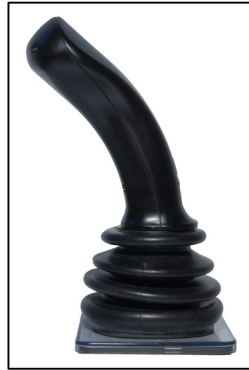


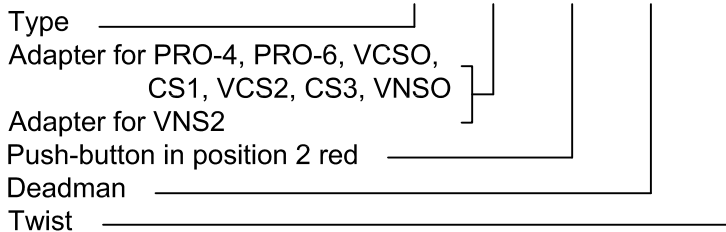
FG-6 Fighter Grip Handle



HANDLE FORM	HANDLE DESCRIPTION	TYPE	PROTECTION RATING
	Handle FG6R Right side with coupling for PRO4, PRO6, CS1, VCS2, CS3, VCSO, VNSO Custom coupling available upon request	FG6R	IP56
	Handle FG6L Left side with coupling for PRO4, PRO6, CS1, VCS2, CS3, VCSO, VNSO Custom coupling available upon request	FG6L	IP56
LOCATIONS	OPTIONS		
1, 2, 3, 4, 5, 8, 9	Push-button: 1NO, contact rating: 1A 28 VDC Color: GRN YEL RED BLK BLU	1, 2, 3, 4, 5, 8, 9 (color)	IP56
5	Deadman: 1 NO, contact ratings: 24 VDC-2A resistive	T	IP54
	Rocker switch maintained 0-1 Rocker switch maintained 1-0-1 Rocker switch momentary 0-1 Rocker switch momentary 1-0-1	W1S W2S W1T W2T-ST	IP40
Z	Handle twist, with potentiometer and direction contacts	DP	
	Handle twist, version 1-0-1	DM	

ORDERING EXAMPLE:

FG6R 8
 FG6L 12 2 RED 5T DP

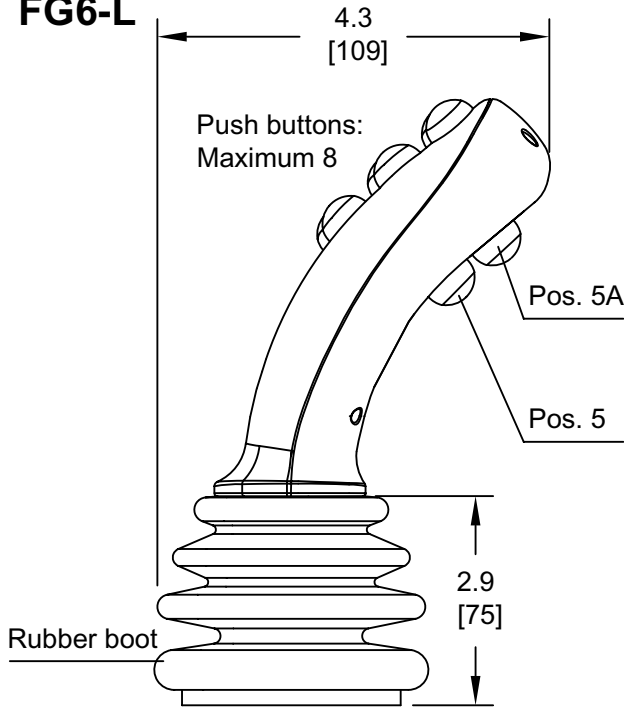


NOTE:

1. Due to space restrictions not all variations of options are available in all positions.
2. Custom handle options available on request.

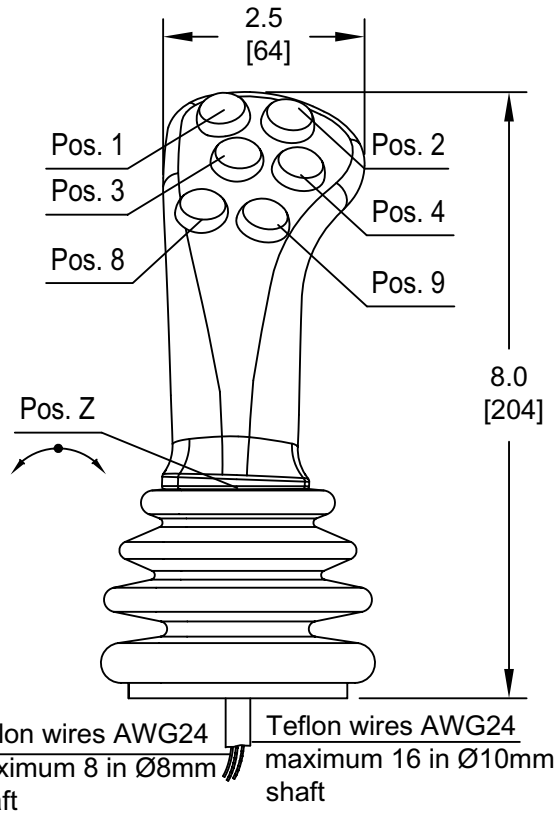
FG6 FIGHTER GRIP HANDLE DIMENSIONS

FG6-L

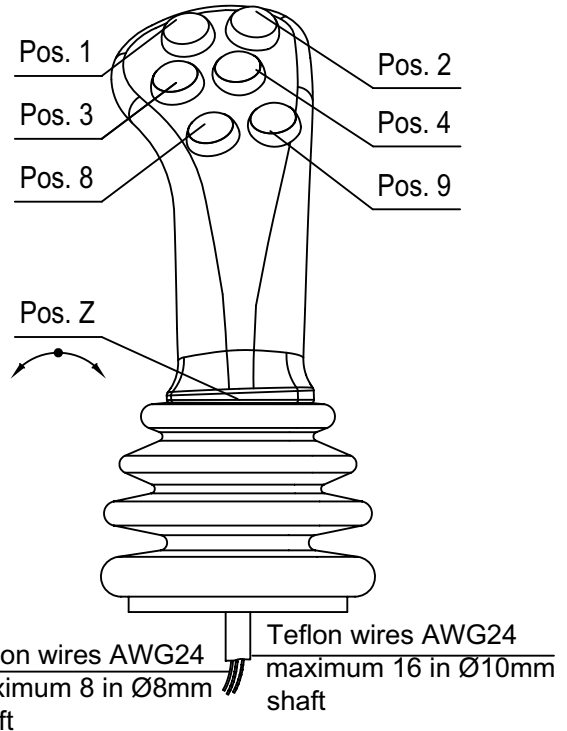
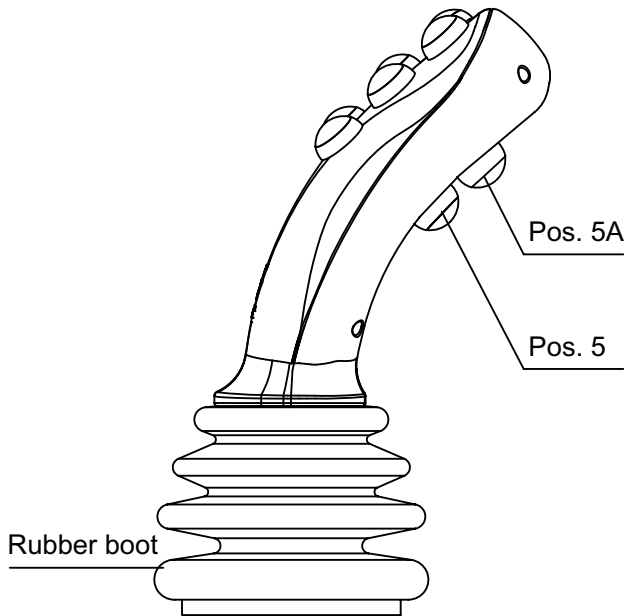


TECHNICAL DATA :

Degree of protection:
IP56 without hole plugs
IP56 with push buttons

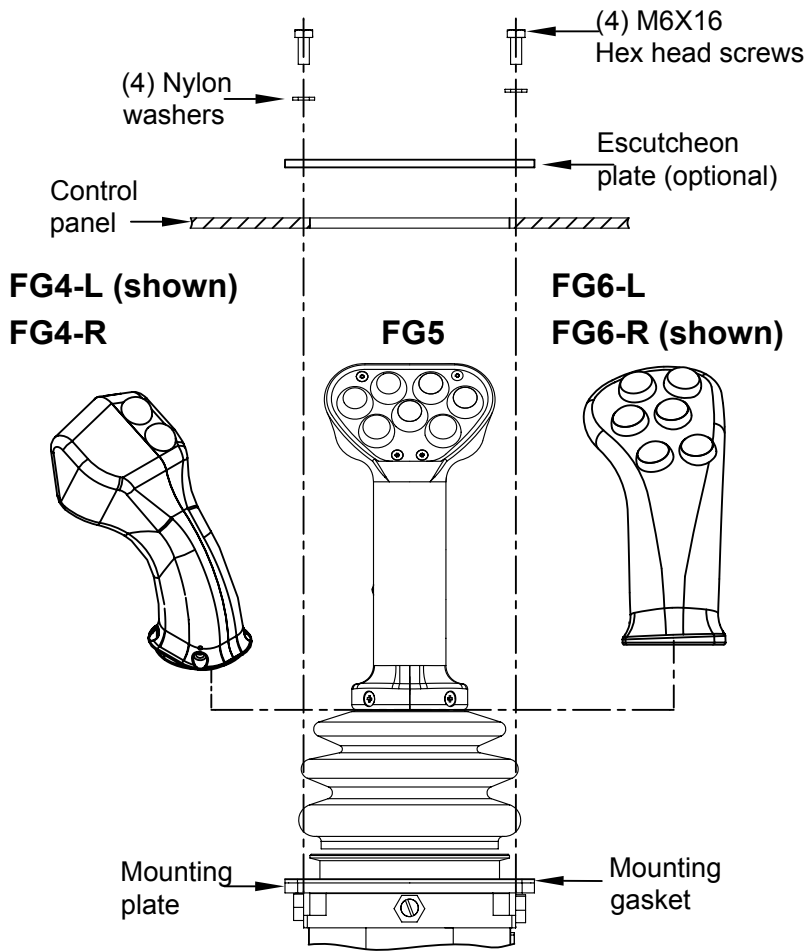


FG6-R

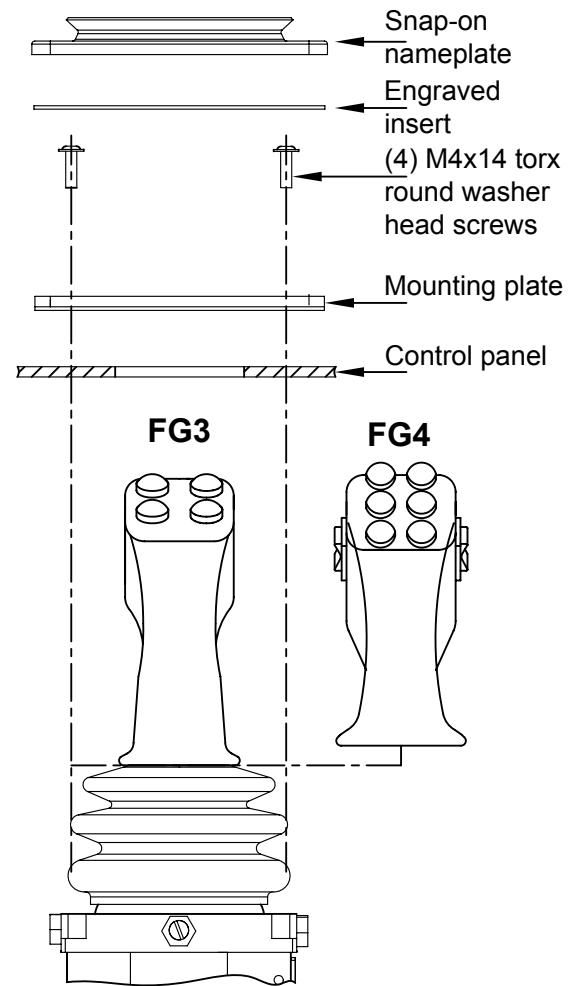
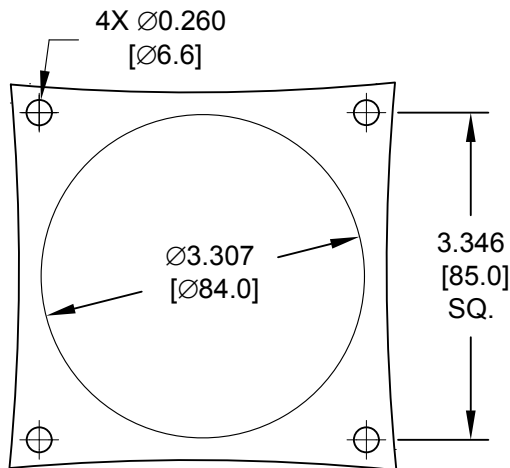


(Consult factory for other handle options)

FIGHTER GRIP HANDLE MOUNTING DETAILS



MOUNTING CONFIGURATION AND PANEL CUTOUT FOR VNSO AND XL-VNSO WITH FG4-L, FG4-R, FG5, FG6-L AND FG6-R HANDLES



MOUNTING CONFIGURATION AND PANEL CUTOUT FOR VNSO AND XL-VNSO WITH FG3 AND FG4 HANDLES

