

FP-1

MILL DUTY FOOT PEDAL

Features:

- Rugged Cast Aluminum Construction
- Brass Bearings
- Compression Return Springs
- NEMA 4 Rated
- Dark Gray Finish
- Step or Stepless Operation



FP-1 TECHNICAL DATA

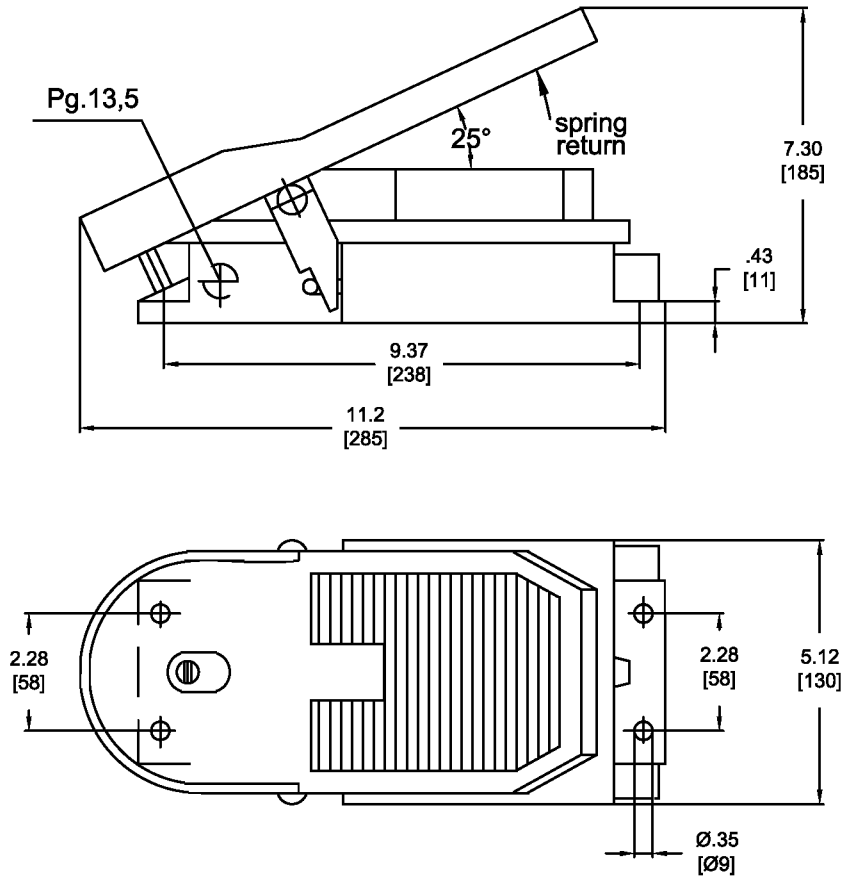
Mechanical:

- **Expected Mechanical Life:**
10 Million Operations
- **Operating Temperature:** -25° to +70°C
- **Cam Shaft Rotation:** 135°
- **Pedal Movement:** 25°
- **Gear Ratio:** 5.4:1
- **Pot Electrical Angle:** 1 x 125°

Electrical:

- **Max Switching Capacity:**
 - a) Making: 100 amps
 - b) Breaking: (0.7PF) 240 VAC 80 amps
- **Contacts:** (3) Double Pole, "Snap-In" blocks. Consult factory if additional circuits are required. Consult factory for gold dry circuit contacts.
- **Terminals:** M3.5 x 0.5 Machine screw with saddle clamp.
- **Wire Size:** #12 AWG. Maximum
- **Rating:**
 - a) Continuous 16 amps @ 240 VAC
 - b) Resistive 8 amps @ 240 VAC
 - c) Inductive 6 amps @ 240 VAC
 - d) 1 H.P. 120 VAC 1 phase
 - e) 2 H.P. 240 VAC 1 phase
- **Potentiometer:**
 - 0.5 watt, 5 million cycle conductive plastic furnished standard.
 - 3 wire or 10k 4 wire CT
 - Rotation 135°

FP1 DIMENSIONS



Specify: Contact operation. Terminal markings and jumpers required.

CONTACTS:

- 16A, 300VAC std.-dbl. pole
- Gold Contacts
- Other _____

Potentiometer
Specify Resistance Value _____

