

# FS1 ULTRA COMPACT HALL-EFFECT FINGER SWITCH SERVICE BULLETIN



## IMPORTANT:

- Disconnect all power prior to servicing controller.
- Immediately report any abnormal operation characteristics of the controller to the proper authority. Do not continue to operate the equipment until problem is resolved.

## Description

The FS1 provides precise proportional control for use in radio control systems and portable consoles. Your specific control requirements can be accommodated by a variety of standard and custom engineered configurations.

## General Care

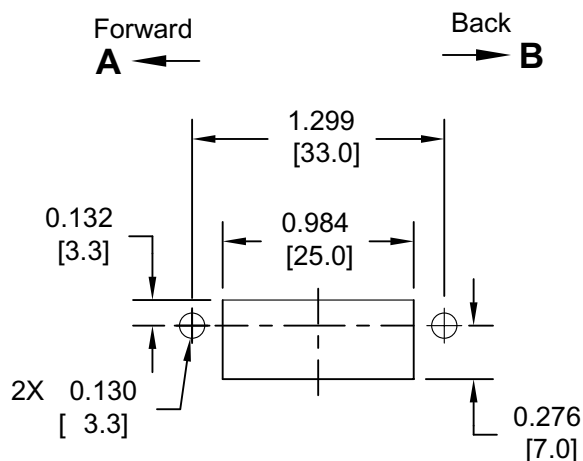
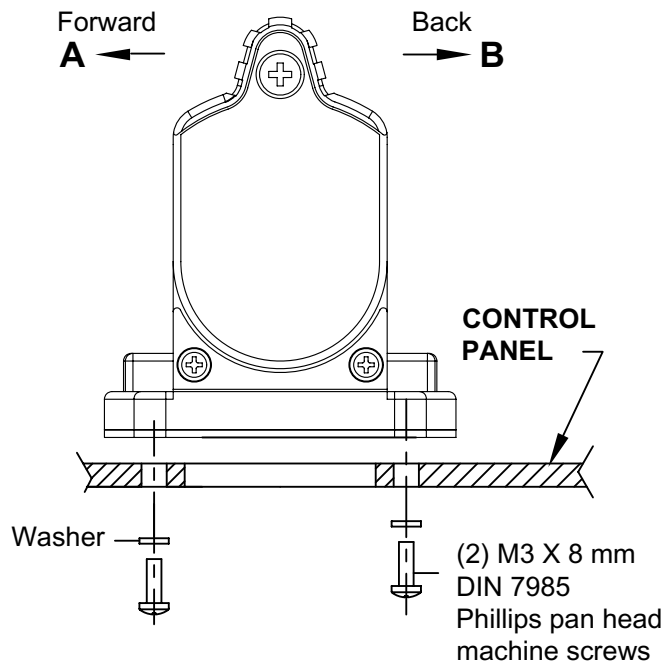
Access to the controller should be comfortable and unobstructed. Care should also be taken in console and cab design to **AVOID LOCATIONS:**

- Where inadvertent operation is possible.
- Where the operator is able to apply an excessive amount of force to the control lever.
- Where the control handle could be used as a means of supporting entrance and exit from the equipment.
- Where hand and knuckle clearance is limited.
- Handle is not protected by guarding in portable consoles or where inadvertent operation will cause unsafe condition.

## Installation

FS1 controllers require a 3 hole mounting pattern (see panel hole detail). Seal integrity can only be achieved when using sealing gasket supplied and screws are tightened to 70.8 (ozf-in). Sealing gasket not required when neoprene boot is fitted.

## FS1 PANEL MOUNTING

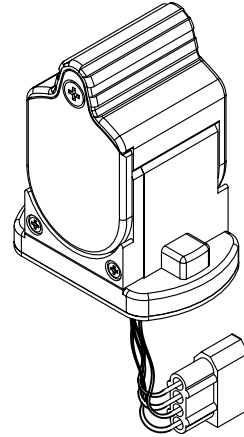


# FS1 ULTRA COMPACT HALL-EFFECT FINGER SWITCH SERVICE BULLETIN

## Wiring

### 4.5 to 5.5 VDC Supply:

PIN	COLOR	FUNCTION
1	ORN	+5.00 VDC
2	GRN	Ground
3	BLU	Signal out
4	WHT	Redundant signal out (optional)



### 7-30 VDC Supply:

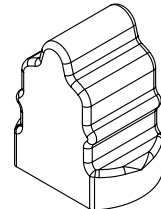
PIN	COLOR	FUNCTION
1	YEL	+7-30 VDC
2	GRN	Ground
3	BLU	Signal out

## Connections

4 Position MOLEX with male contacts mates with connector 03-06-2042 and female contacts 02-06-1103 (24-18 AWG).

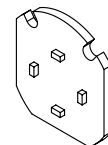
## Service

- Inspect for torn or damaged boots if furnished, and replace them immediately.
- Check mounting bolts for tightness.



## Hall-effect

Hall-effect boards and their components are not field replaceable and must not be moved.



## Disclaimer

FS1 finger switches are supplied with deadman spring return to neutral.

The customer is responsible for meeting OSHA compliance of deadman safety devices, providing operator safety and proper equipment use training, and for maintaining the equipment and controls in a safe working condition. Customer agrees to indemnify and hold J.R. Merritt Controls, Inc. harmless and defend at its expense, all claims and suits asserted or brought against J.R. Merritt Controls, Inc. due to the absence, removal, tampering, improper installation or improper use of this equipment and associated deadman safety devices.