

PRO-5

COMPACT RUGGED CAST DESIGN SINGLE AXIS JOYSTICK CONTROLLER FOR HARSH ENVIRONMENTS

PRO-5 – Single axis cast housing joystick

PRO-5H – Single axis cast housing Hall-effect joystick

PRO-5B/B – Single axis cast housing bang / bang joystick

Construction:

The cast housing construction of the PRO-5 is suitable for use in wet and dirty environments. The PRO-5 provides precise proportional control for electro-hydraulic valves and AC/DC variable speed drives. Your specific control requirements can be accommodated by a variety of standard and custom engineered configurations.

The versatile design of the PRO-5 accommodates a variety of handle options including mechanical interlock and lever actuated deadman as well as proportional and discrete outputs including; 11A snap action switches, potentiometers, Hall-effect, PWM, CAN Bus, and bang / bang.

Application:

This weatherproof design is ideal for use on scissor lifts, work platforms, bucket trucks, cranes, agricultural, mining and forestry equipment where control of electro-hydraulic proportional valves or variable speed drives is desired.

Features:

- Rugged cast construction
- Gasketing for outdoor use with blind mounting hardware
- Versatile design
- Long life, compression type return spring system
- 20 Million cycle mechanical operating life
- Rugged 10mm diameter handle shaft
- Tooled fixed cams

Options:

- Multiple mounting systems (mounting holes are interchangeable with other popular controllers, on request)
- Friction held handle
- Large variety of optional handle configurations including; deadman and mechanical interlock options
- Large selection of proportional outputs including potentiometer, Hall-effect, PWM and CAN bus
- Hall-effect output meets or exceeds CE EMC Requirements



J.R. MERRITT 
CONTROLS, INC.

Stratford, CT • 1-800-333-JRMC • www.jrmerritt.com

Pub. # 74.C1

611

PRO-5 BANG / BANG ORDERING INFORMATION

Drive Arrangement: Single axis cast housing
Basic Assembly: 5.25" handle height off of panel and cast housing supplied standard
Handle: 1.25" diameter round ball
Handle Action: Spring return
Output: Bang / bang
Output Devices: 11A snap action switch

PRO-5 Bang / Bang Technical

Mechanical:

- **Mechanical Life:** 20 million cycles
- **Gear Ratio:** 3.5:1
- **Detented Positions:** Up to 1-0-1 maintained
- **Handle Travel:** $\pm 20^\circ$

Environmental:

- **Operating Temperature:** -25 to +70° C
- **Storage Temperature:** -40 to +70° C
- **Protection above the panel:** IP66

Electrical:

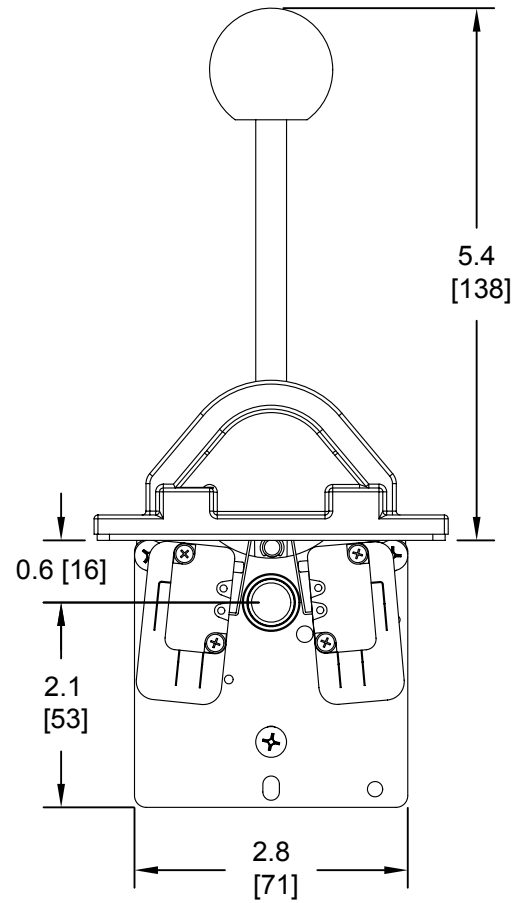
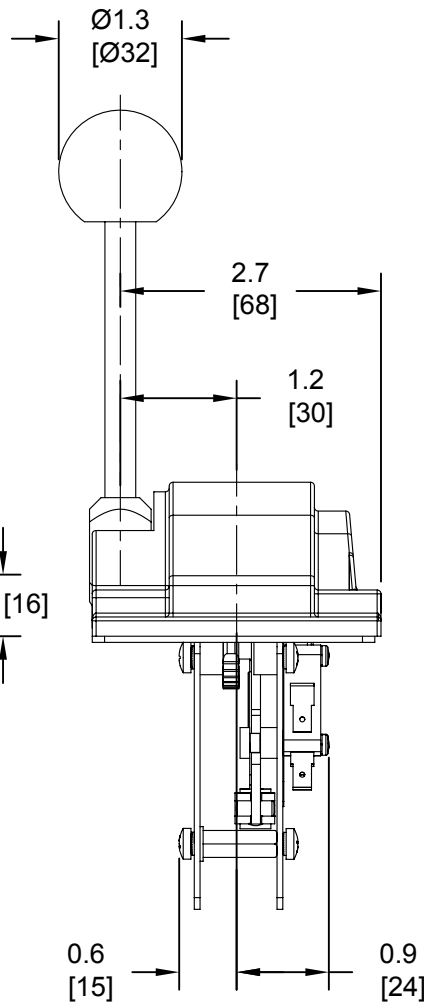
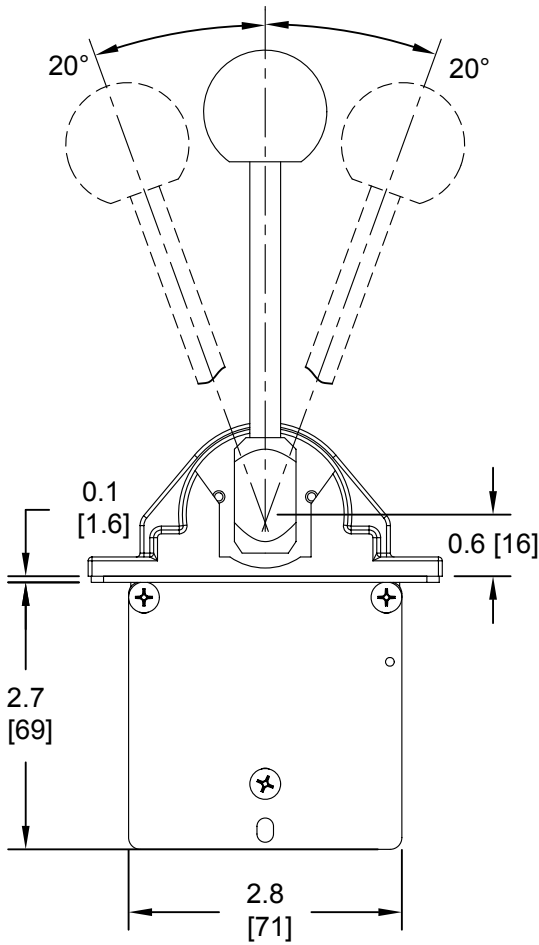
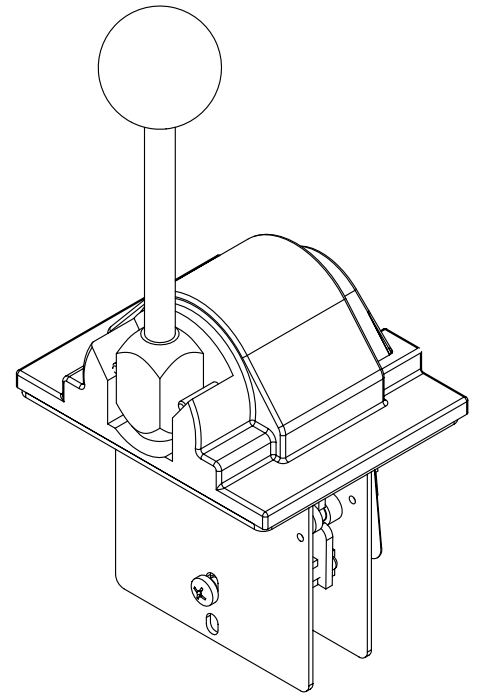
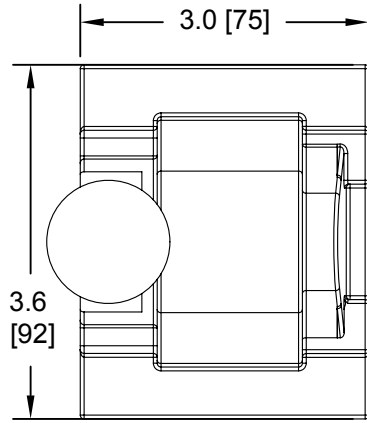
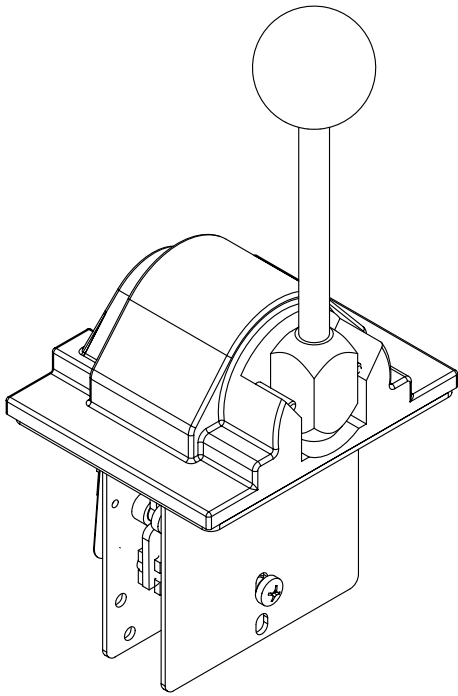
- **Contacts:** 11A 125, 250 VAC Form C V series snap action switch (4 max.) with .187" quick connect tab

Options:

- **Handle:** See handle section for a selection of handle options
- **Handle Action:** Maintained action
- **Mounting:** See mounting section for a selection of mounting options

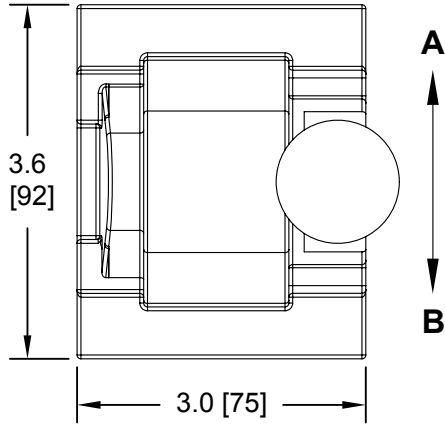
Please consult factory for other available options not listed.

PRO-5 BANG / BANG OVERALL DIMENSIONS

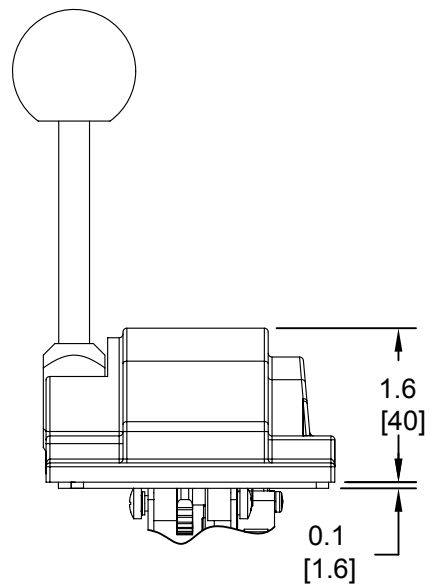
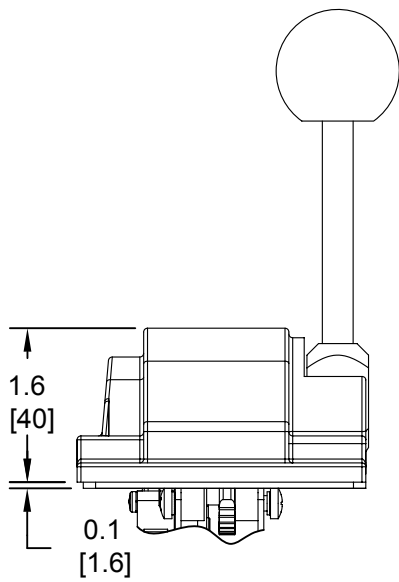
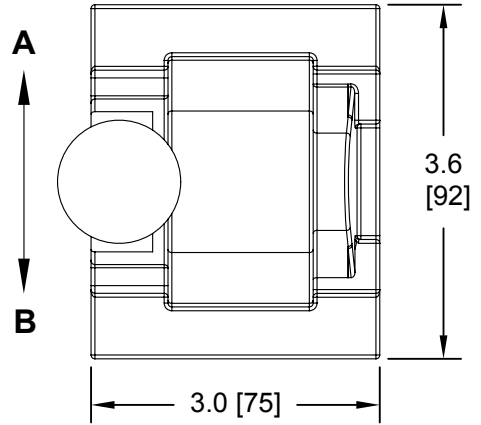


PRO-5 MOUNTING DIMENSIONS

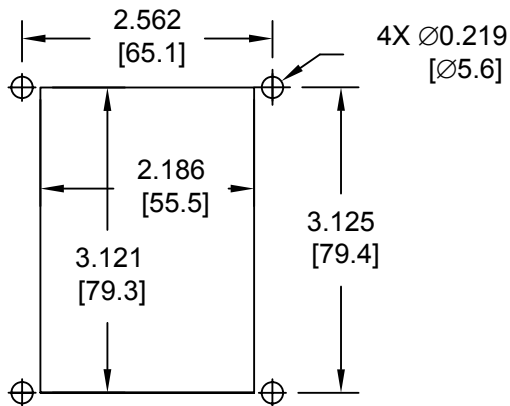
LEFT SIDE MOUNTING



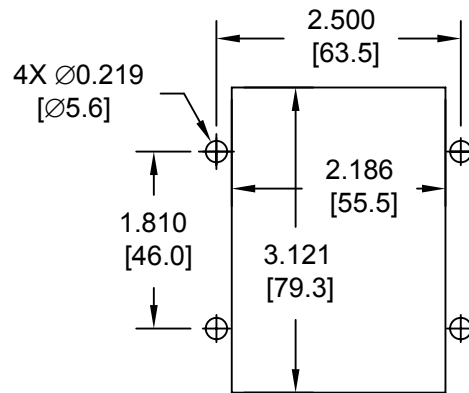
RIGHT SIDE MOUNTING



OPTIONAL PANEL CUT-OUT FOR IP55 PROTECTION ABOVE THE PANEL

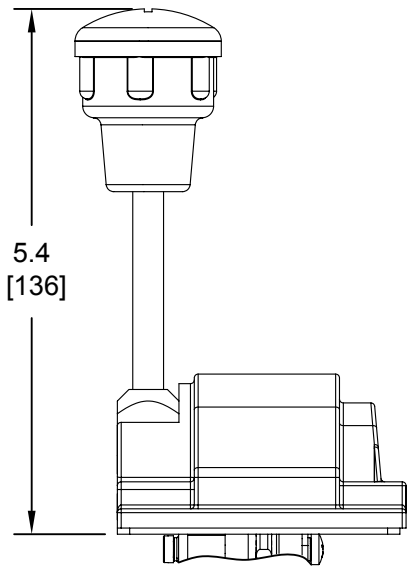


STANDARD PANEL CUT-OUT FOR IP66 PROTECTION ABOVE THE PANEL

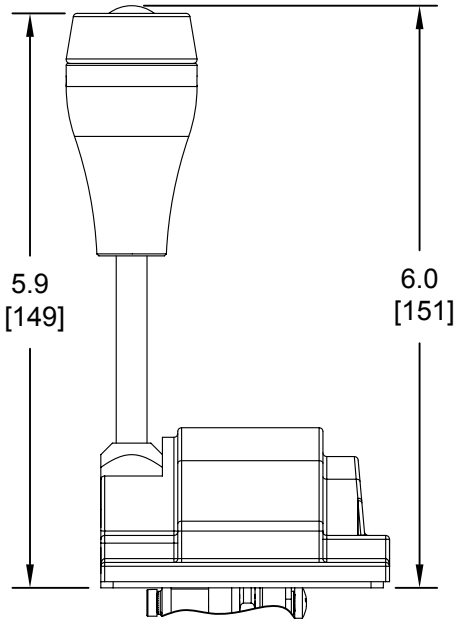


PRO-5 OVERALL HANDLE OPTION DIMENSIONS

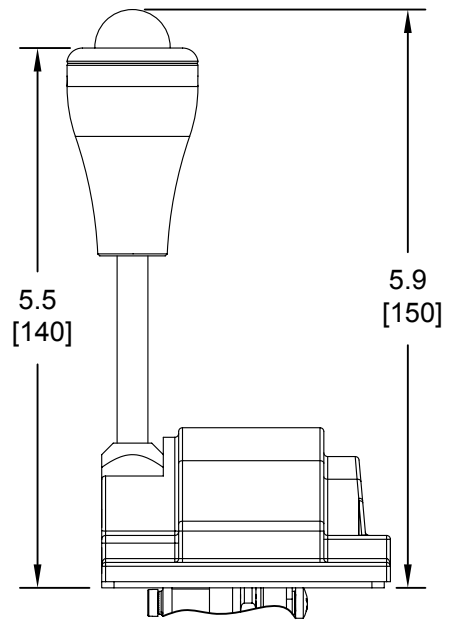
**2 PIECE HANDLE
4.5 [115] SHAFT**



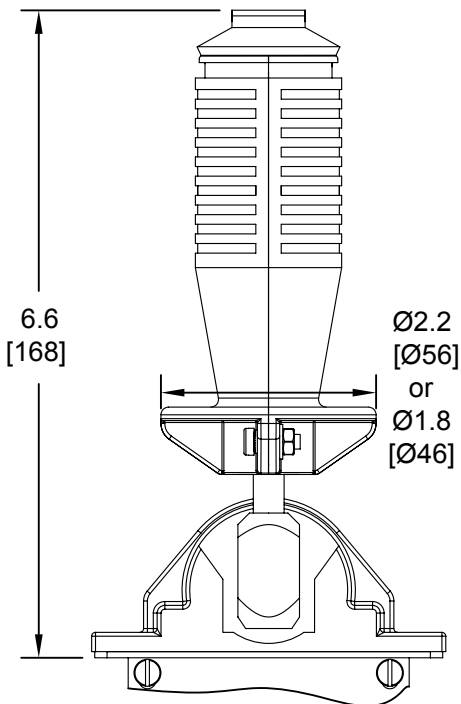
**MG27V
4.5 [115] SHAFT**



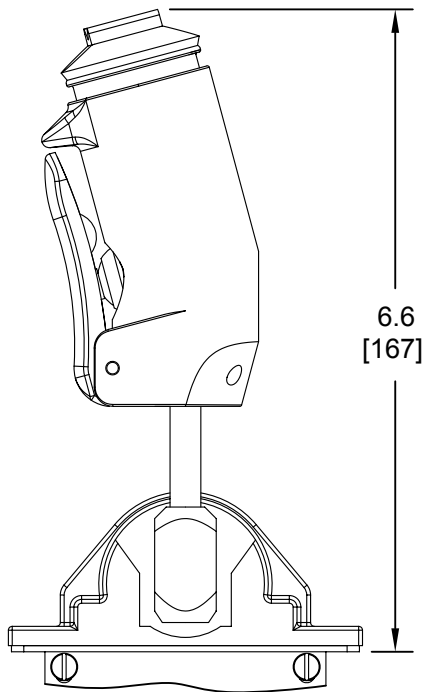
**MG27
4.5 [115] SHAFT**



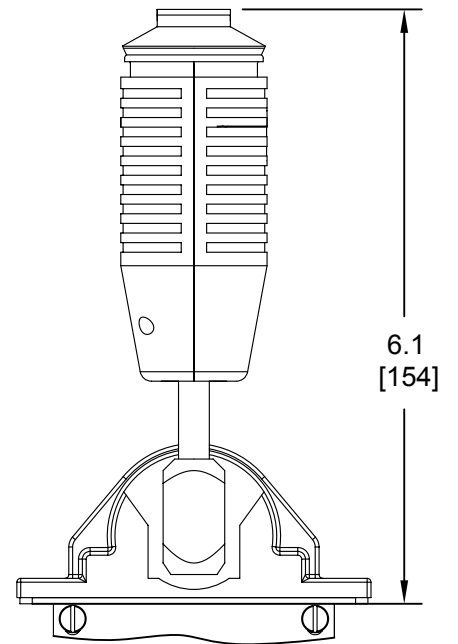
**RHN-01 HANDLE
3.13 [79] SHAFT**



**BH HANDLE
3.13 [79] SHAFT**



**RHS HANDLE
3.13 [79] SHAFT**



(Consult factory for other handle options)
See handle section for handle degree of protection