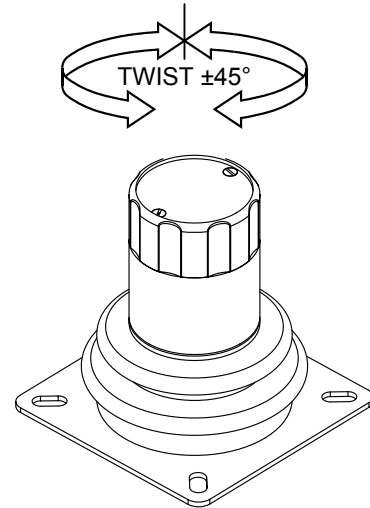
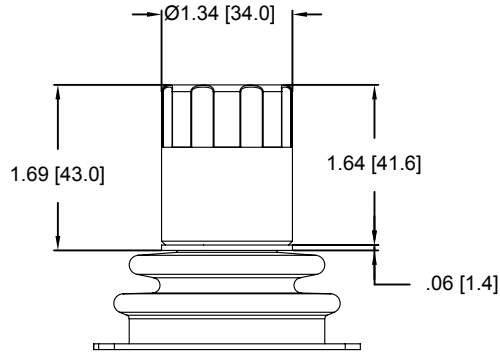


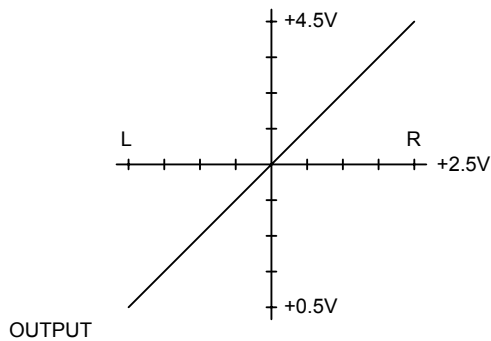
# TH20 TWIST HANDLE

## with HALL-EFFECT SENSOR

### for CS & PRO SERIES JOYSTICKS



The TH20 Proportional Twist Handle utilizes Hall sensor non-contacting technology for high life. The TH20 is available standard on the following Joysticks; CS1, CS3, VCS2, VCSO and PRO4, other models upon request.

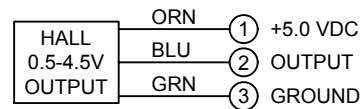


- Rotation  $\pm 45^\circ$
- Output 0.5 - 4.5 VDC

**TECHNICAL DATA:**

Input Power	4.5VDC to 5.5VDC
Power Consumption	20mA @ full output (10mA)
Minimum Output*	0.5VDC $\pm 0.2V$
Center Position Output*	2.5VDC $\pm 0.2V$
Maximum Output*	4.5VDC $\pm 0.2V$
Sealing	IP54

**SCHEMATIC**



\* Outputs listed are for 5.0 volt input. Output voltage is dependent on and proportional to input voltage.