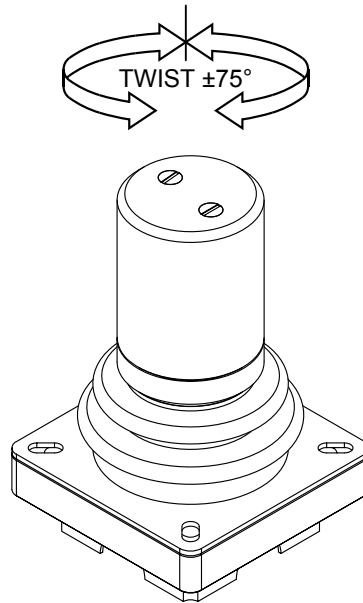


# TH25 TWIST HANDLE

## with POTENTIOMETER

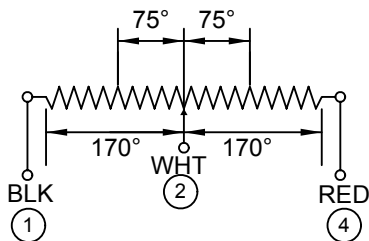
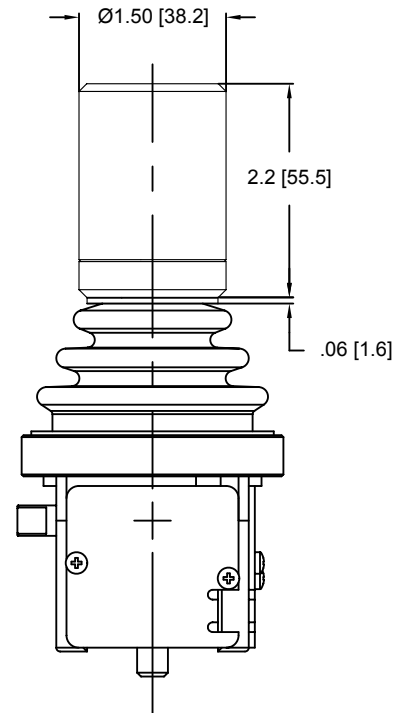
### for CS & PRO SERIES JOYSTICKS



The TH25 Proportional twist handle for  $\pm 75^\circ$  Rotation.

**FEATURES:**

- Potentiometer values 5K or 10K Ohms
- Effective electrical  $\pm 75^\circ$
- Potentiometer highlife conductive plastic 2-5 million rotations.
- Sealing IP54



**TH25 MOUNTED ON CS3V 2 AXIS JOYSTICK**