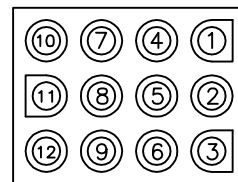
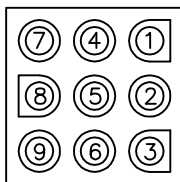
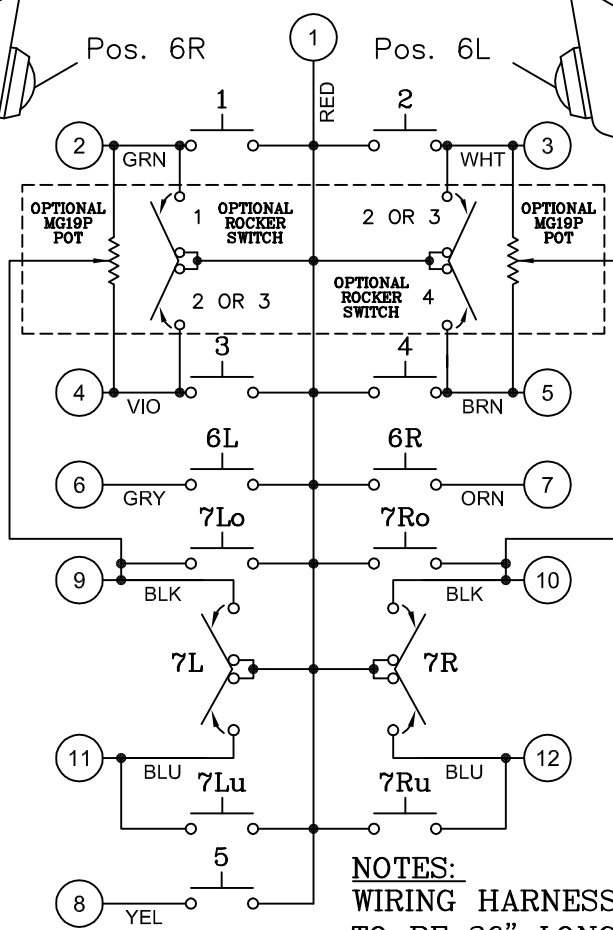
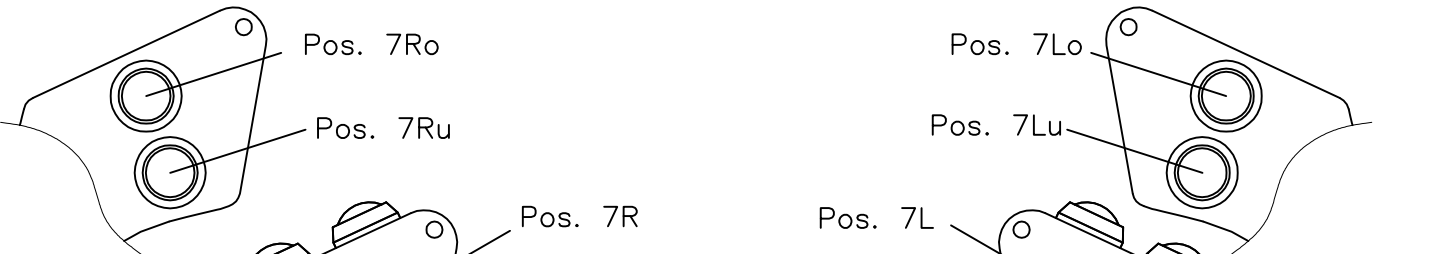
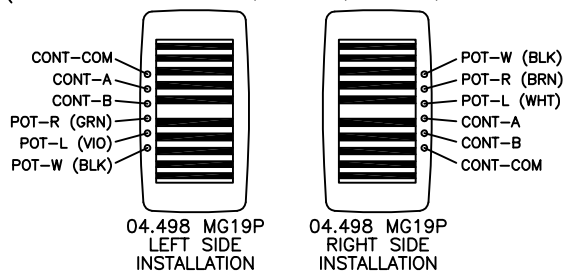
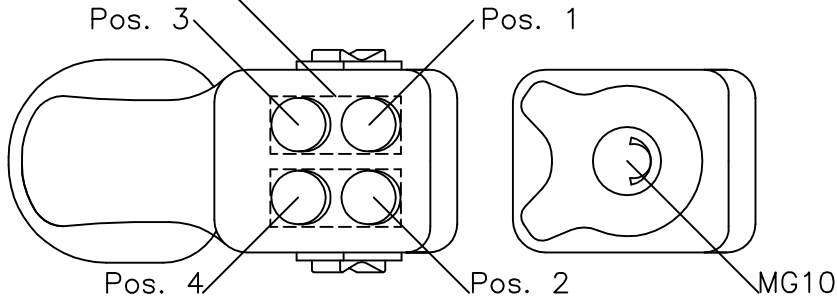


ENGINEERING REVISIONS

REV:	DESCRIPTION:	ECR NO:	BY:	DATE:	APR'D:
06	ADDED WIRE HARNESS LENGTH	2800	KY	07/20/07	DB
07	CHANGED POS. FROM 7RT;7RB;7LT;7LB TO 7Ro;7Ru;7Lo;7Lu	3198	ND	05/19/08	DB
08	CHANGED WIRE COLOR MG10 TO MATCH STANDARD WIRING	3537	ND	05/19/08	DB
09	CHANGED HARNESS LENGTH FROM 26 TO 36"	4294	KY	04/04/12	DB
10	CORRECTED WIRE COLORS ON MG19P, RIGHT & LEFT INSTALLATION	01.207.105	KY	10/28/19	DB

-OPTIONAL ROCKER SWITCH OR MG19P (LOCATIONS 1-2, 1-3, 2-4, OR 3-4)



9 PIN JOYSTICK CONNECTOR	
CONNECTOR	CONTACTS
05.325	05.412
SUPPLY LOOSE	
CONNECTOR	CONTACTS
05.329	05.522

12 PIN JOYSTICK CONNECTOR	
CONNECTOR	CONTACTS
05.326	05.412
SUPPLY LOOSE	
CONNECTOR	CONTACTS
05.330	05.522

NOTES:
WIRING HARNESS TO BE 36" LONG OFF HANDLE BASE



JOB NO:		CUSTOMER: J.R. MERRITT CONTROLS, INC.	
DRAWN: JH	DATE: 03/27/06	HANDLE WIRING STANDARD	
APPROVED: GAR	DATE: 03/27/06	MODEL NO: FG-3 FIGHTER GRIP HANDLE	SCALE: N/A
PUB NO:	WEB DOC	DWG NO: A25.101.6681	SHEET: 1 OF 1
			REV: 10
			SIZE: A

THIS DOCUMENT CONTAINS DATA WHICH IS CONFIDENTIAL AND PROPRIETARY TO J.R.M.C. INC. NO DISCLOSURE, REPRODUCTION, OR ANY USE OF ANY PART OF THIS DOCUMENT MAY BE MADE WITHOUT THE WRITTEN PERMISSION OF J.R.M.C. INC.

6681