

FG3 FIGHTER GRIP HANDLE



The FG3 fighter grip handle offers comfort and reliability in a field proven design. Available with a range of devices, including push buttons, rocker switches, and thumbwheels, the FG3 can be customized to fit the individual needs of virtually any application.



RUGGED
DESIGN



HIGHLY
CONFIGURABLE



IP56
PROTECTION

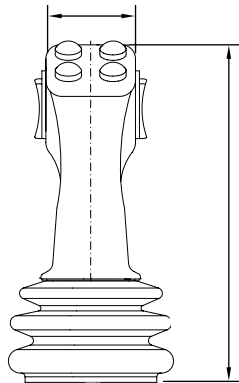
DEVICE POSITIONS

PG 2



DIMENSIONS

PG 3



DEVICE SPECIFICATIONS

PG 4



DEVICE LOCATIONS*



BUTTONS

1 Position Device

- Flush Push Button***
- Extended Push Button



***Optional sealing boot available



ROCKER SWITCHES

2 Position Device

- Maintained (0-1) Rocker Switch
- Maintained (1-0-1) Rocker Switch
- Momentary (0-1) Rocker Switch
- Momentary (1-0-1) Rocker Switch



THUMBWHEELS

2 Position Device

- Potentiometer Thumbwheel
- Hall-Effect Thumbwheel



TRIGGER

Position 5 Only

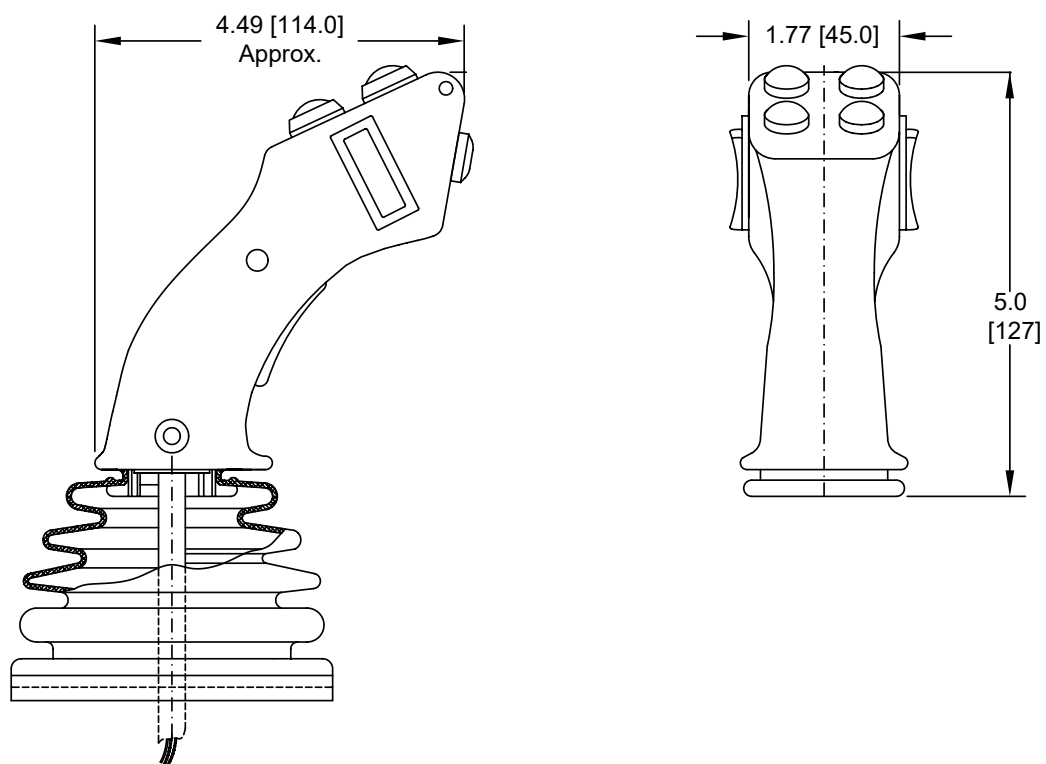
- Operator Presence Switch (1 NO)

*Due to space restrictions not all variations of options are available in all positions.

Total number of devices is dictated by how many wires will fit down the joystick shaft. See device specification page for more details.

**2 position devices cannot span across horizontally in positions 6R - 6L due to handle curvature.

DIMENSIONS



All dimensions in inches [mm] and are subject to change.

DEVICE SPECIFICATIONS*				
TYPE	CONTACT	RATING**	OPERATING TEMPERATURE	IP RATING
Push Buttons	1 NO	1 A 28 VDC	-40°F to 185°F (-40°C to 85 °C)	IP64 IP68S (w/ Sealing Boot)
Rocker Switches	1 NO (0-1) 1 NO, 1 NO (1-0-1)	6 A 125 VAC	-4°F to 221°F (-20°C to 105 °C)	IP40
Thumbwheel (Potentiometer)	Optional 1 NO in each direction	Supply: 30 VDC max Signal Current: 1 mA max Output: 25-50-75% supply	-22°F to 140°F (-30°C to 60°C)	IP43
Thumbwheel (Hall-Effect)	N/A	Supply: 4.5V to 5.5V Output: 0.5V to 2.5V to 4.5V max	-40°F to 185°F (-40°C to 85 °C)	IP68S

WIRES PER DEVICE ***	
DEVICE	# OF WIRES
Push Buttons	1
Rocker Switches (0-1)	1
Rocker Switches (1-0-1)	2
Thumbwheels (Hall or Potentiometer)	3
Thumbwheels w/ Directional Contacts	5
Trigger	1

MAX WIRES PER SHAFT DIAMETER		
SHAFT DIAMETER	PRODUCTS	MAX. # OF WIRES
8 mm	All	8 wires
10 mm 12 mm	CS3HD VNS2, NNSO	16 wires

*Device specifications subject to change without notice.

**All handles wired with 24 AWG wire (rating is 3A max).

Wires run through a steel shaft, so should be limited to 30V AC/DC max.

***For configurations using a single common wire. If application requires individual common wires, device wire counts will increase for those devices.