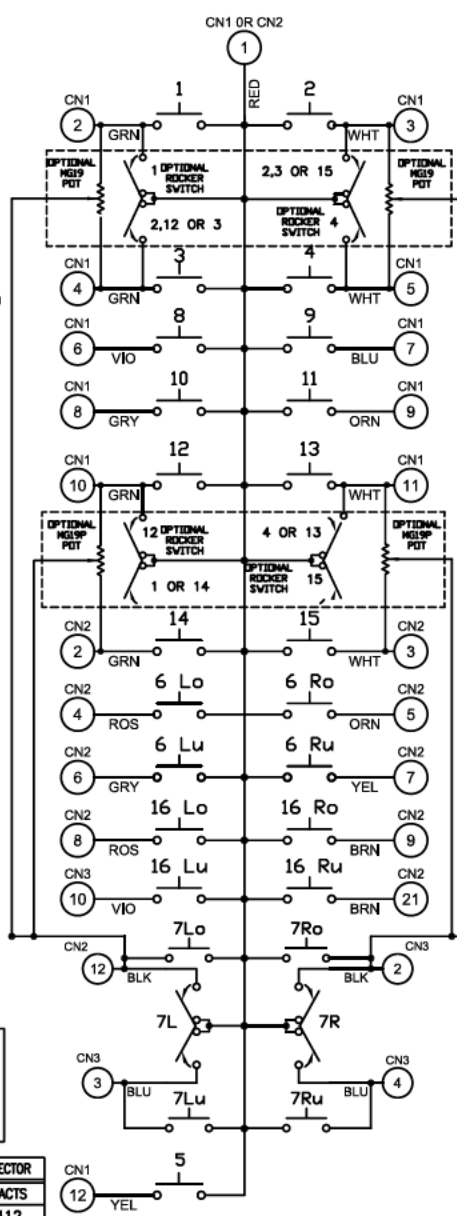
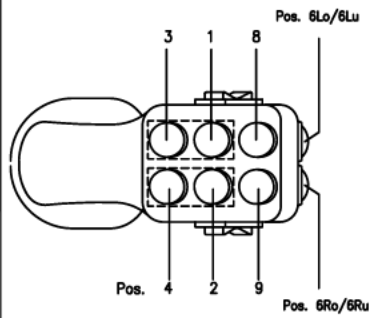
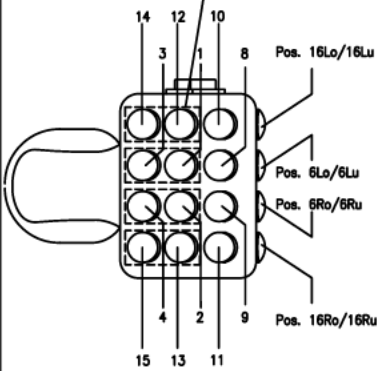
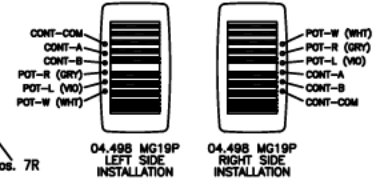
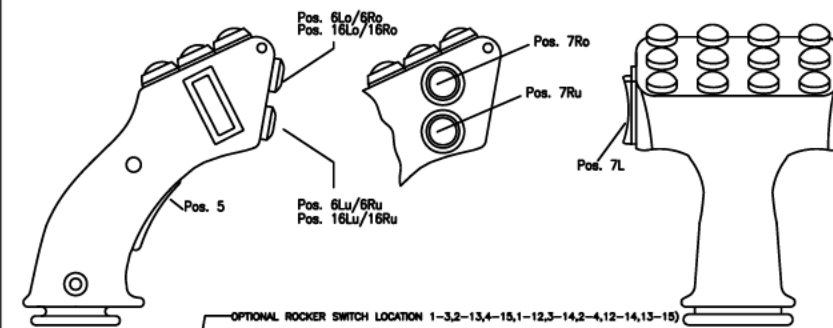


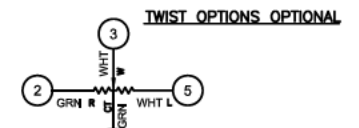
1		2		3		4	
ENGINEERING CHANGES / REVISIONS							
REV.	DATE	BY	ECR	DESCRIPTION			APPR
01	11/08/06	ND	2509	UPDATED WIRING DIAG., PUSHBUTTONS TO AGREE CATALOG PAGE			



- REQUIREMENTS:**
- POSITION 1: MOMENTARY NORMALLY OPEN PUSHBUTTON
 - POSITION 2: MOMENTARY NORMALLY OPEN PUSHBUTTON
 - POSITION 3: MOMENTARY NORMALLY OPEN PUSHBUTTON
 - POSITION 4: MOMENTARY NORMALLY OPEN PUSHBUTTON
 - POSITION 5: MICROSWITCH
 - POSITION 6Lo: MOMENTARY NORMALLY OPEN PUSHBUTTON
 - POSITION 6Ru: MOMENTARY NORMALLY OPEN PUSHBUTTON
 - POSITION 8Lo: MOMENTARY NORMALLY OPEN PUSHBUTTON
 - POSITION 8Ru: MOMENTARY NORMALLY OPEN PUSHBUTTON
 - POSITION 7L: 3 POS. MAINTAINED (OR MOMENTARY) ROCKER SWITCH
 - POSITION 7R: 3 POS. MAINTAINED (OR MOMENTARY) ROCKER SWITCH
 - POSITION 7Ro: MOMENTARY NORMALLY OPEN PUSHBUTTON
 - POSITION 7Ru: MOMENTARY NORMALLY OPEN PUSHBUTTON
 - POSITION 8: MOMENTARY NORMALLY OPEN PUSHBUTTON
 - POSITION 9: MOMENTARY NORMALLY OPEN PUSHBUTTON
 - POSITION 10: MOMENTARY NORMALLY OPEN PUSHBUTTON
 - POSITION 11: MOMENTARY NORMALLY OPEN PUSHBUTTON
 - POSITION 12: MOMENTARY NORMALLY OPEN PUSHBUTTON
 - POSITION 13: MOMENTARY NORMALLY OPEN PUSHBUTTON
 - POSITION 14: MOMENTARY NORMALLY OPEN PUSHBUTTON
 - POSITION 15: MOMENTARY NORMALLY OPEN PUSHBUTTON
 - POSITION 16Lo: MOMENTARY NORMALLY OPEN PUSHBUTTON
 - POSITION 16Lu: MOMENTARY NORMALLY OPEN PUSHBUTTON
 - POSITION 16Ro: MOMENTARY NORMALLY OPEN PUSHBUTTON
 - POSITION 16Ru: MOMENTARY NORMALLY OPEN PUSHBUTTON

- WIRING:**
- NS0 10 WIRES (IN SHAFT)
 - NS3; NS2 15 WIRES (IN SHAFT)NS0
 - - WIRE MAX. (OUTSIDE OF SHAFT IN SPRING SHEATHING)
 - MULTIPLEX HANDLE

- TWIST OPTIONS:**
- TWIST HANDLE WITH 5K POTENTIOMETER
 - TWIST HANDLE WITH HALL SENSOR
 - TWIST HANDLE WITH HALL SENSORS&DIRECTIONAL SENSORS
 - TWIST HANDLE WITH REDUNDANT HALL SENSORS
 - TWIST HANDLE WITH HALL SENSORS&DIRECTIONAL SENSORS



CN #1		CN#2	
10	7	10	7
11	8	11	8
12	9	12	9
4	1	4	1
5	2	5	2
6	3	6	3

12 PIN JOYSTICK CONNECTOR		12 PIN JOYSTICK CONNECTOR	
CONNECTOR	CONTACTS	CONNECTOR	CONTACTS
05.326	05.412	05.326	05.412
SUPPLY LOOSE		SUPPLY LOOSE	
CONNECTOR	CONTACTS	CONNECTOR	CONTACTS
05.330	05.522	05.330	05.522

9 PIN JOYSTICK CONNECTOR

CONNECTOR	CONTACTS
05.325	05.412
SUPPLY LOOSE	
CONNECTOR	CONTACTS
05.329	05.522

NOTES:
 WIRING HARNESS
 TO BE 26" LONG
 OFF HANDLE BASE

J.R.MERRITT CONTROLS, INC. STRAFORD, CT 06615		CUSTOMER: J.R.MERRITT CONTROLS, INC.	
DRAWN: JH	DATE: 03/27/06	QUOTE #:	JOB #:
ENGR: DB	DATE: 02/14/08	DESCRIPTION: FG-4 R/L WIRING STANDARD	REFERENCE #:
THIS DOCUMENT CONTAINS DATA WHICH IS CONFIDENTIAL AND PROPRIETARY TO J.M.C. INC. NO DISCLOSURE, REPRODUCTION OR ANY USE OF ANY PART OF THIS DOCUMENT MAY BE MADE WITHOUT THE WRITTEN PERMISSION OF J.M.C. INC.		DRAWING #:	SHEET #:
		B25-101.6682	1 OF 1

6682