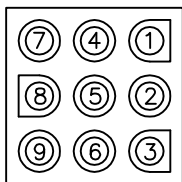
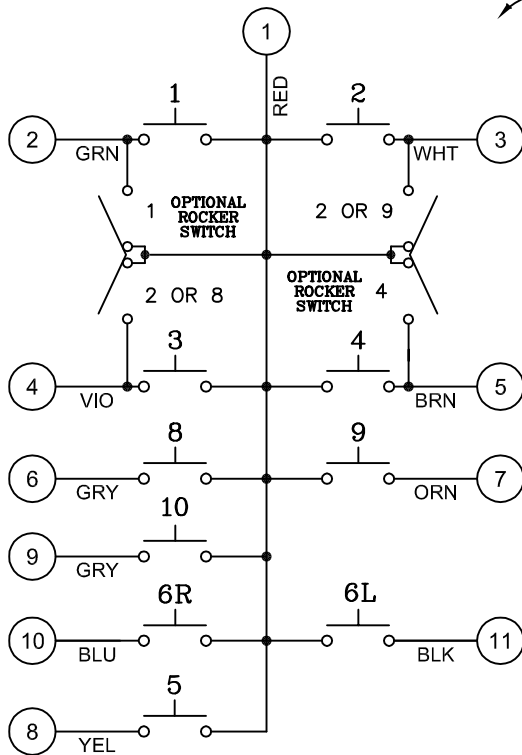
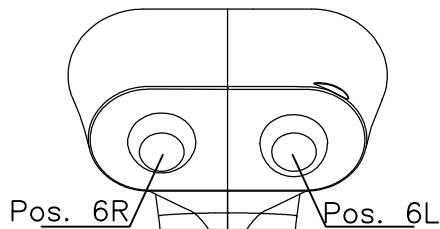
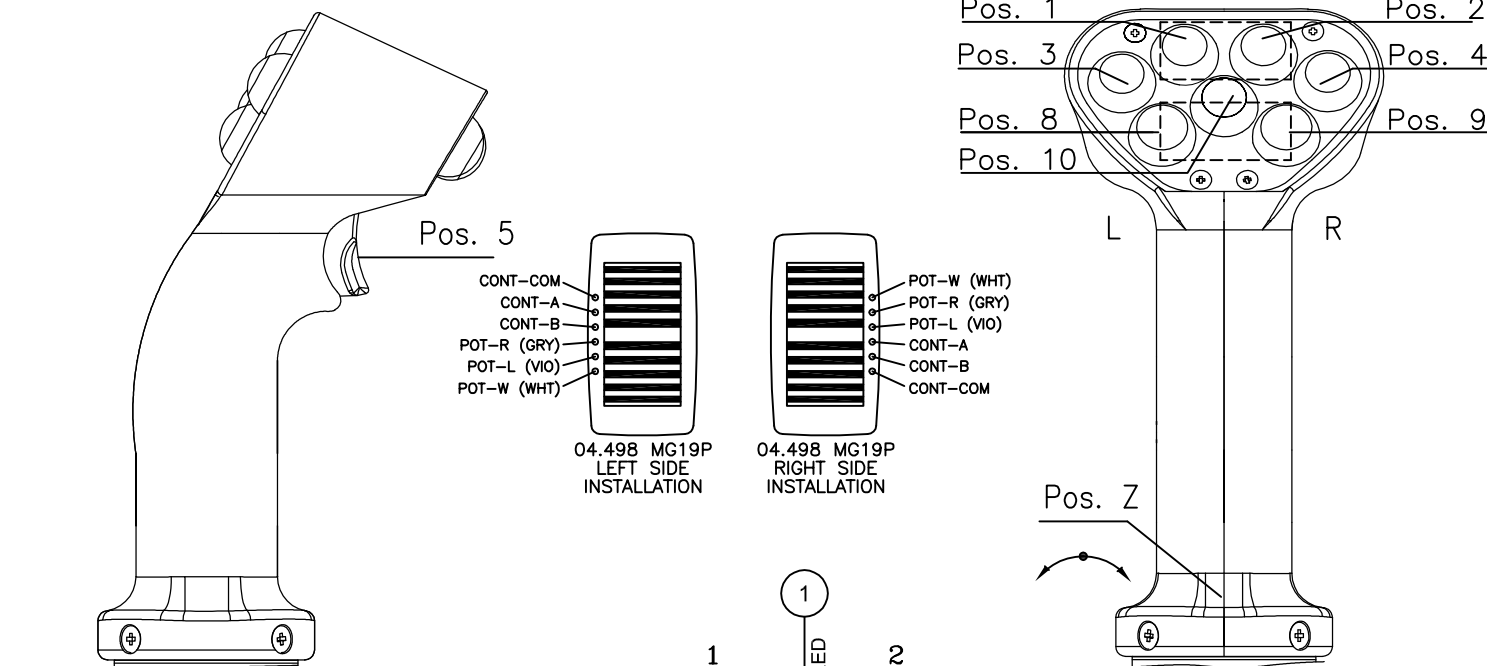


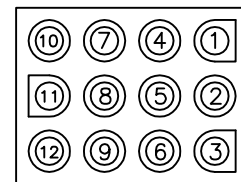
ENGINEERING REVISIONS

REV:	DESCRIPTION:	ECR NO:	BY:	DATE:	APR'D:
01	CHANGED HARNESS LENGTH FROM 26 TO 36"	4294	KY	04/04/12	DB

OPTIONAL ROCKER SWITCH (LOCATIONS 1-2, 1-8, 2-9 OR 8-9)



9 PIN JOYSTICK CONNECTOR	
CONNECTOR	CONTACTS
05.325	05.412
SUPPLY LOOSE	
CONNECTOR	CONTACTS
05.329	05.522



12 PIN JOYSTICK CONNECTOR	
CONNECTOR	CONTACTS
05.326	05.412
SUPPLY LOOSE	
CONNECTOR	CONTACTS
05.330	05.522

**NOTES:**  
 WIRING HARNESS  
 TO BE 36" LONG  
 OFF HANDLE BASE

<p>55 SPERRY AVENUE STRATFORD, CT 06615</p>	JOB NO:	CUSTOMER:	J.R. MERRITT CONTROLS, INC.	
	DRAWN:	DATE:	HANDLE FG5 WIRING STANDARD	
	APPROVED:	DATE:	MODEL NO:	FG-5 FIGHTER GRIP HANDLE
	PUB NO:	WEB DOC	DWG NO:	<b>A25.101.7938</b>
<small>THIS DOCUMENT CONTAINS DATA WHICH IS CONFIDENTIAL AND PROPRIETARY TO J.R.M.C. INC. NO DISCLOSURE, REPRODUCTION, OR ANY USE OF ANY PART OF THIS DOCUMENT MAY BE MADE WITHOUT THE WRITTEN PERMISSION OF J.R.M.C. INC.</small>			SCALE:	N/A
			SHEET:	1 OF 1
			REV:	01
			SIZE:	A

**7938**