

REV: 18	DESCRIPTION: ADDED RHN-09 & RHNC-09	ECR NO: 4236	BY: ND	DATE: 01/05/12	APR'D: DB	REV: 22	DESCRIPTION: REMOVED KIT ITEM NUMBERS	ECR NO: 01.203.587	BY: KY	DATE: 04/03/19	APR'D: DB	JRMC P/N: N/A	CUSTOMER: J.R. MERRITT CONTROLS, INC.	SCALE: N/A	5536			
REV: 19	DESCRIPTION: ADDED MG9, DELETED BH01M	ECR NO: 20.350	BY: KY	DATE: 05/30/12	APR'D: DB							DRAWN: JH	DATE: 01/20/10	QUOTE NO:		JOB NO:	REF NO:	SHEET: N/A
REV: 20	DESCRIPTION: DELETED 4-20mA FROM MG13A	ECR NO: 377.170	BY: AC	DATE: 06/24/16	APR'D: DB							APPROVED: DB	DATE: 01/20/10	DESCRIPTION: STANDARD HANDLE WIRING				SHEET: 1 OF 1
REV: 21	DESCRIPTION: ADDED 3 POSITION MOMENTARY ROCKER TO MG1PB	ECR NO: 382.364	BY: AC	DATE: 02/06/17	APR'D: DB							PUB NO: WEB DOC	DWG NO: B25.101.5536					REV: 22

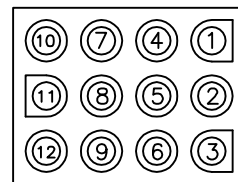
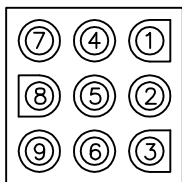
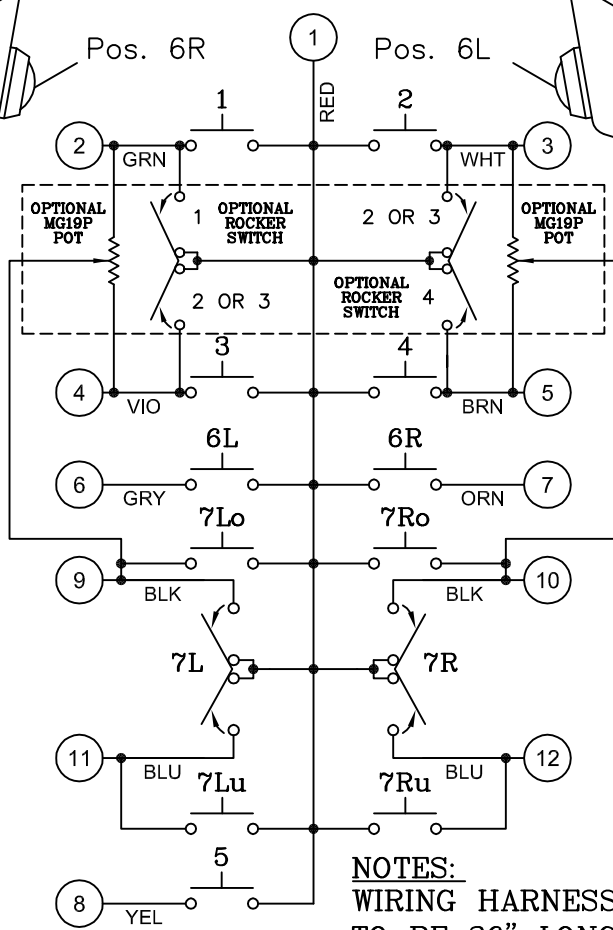
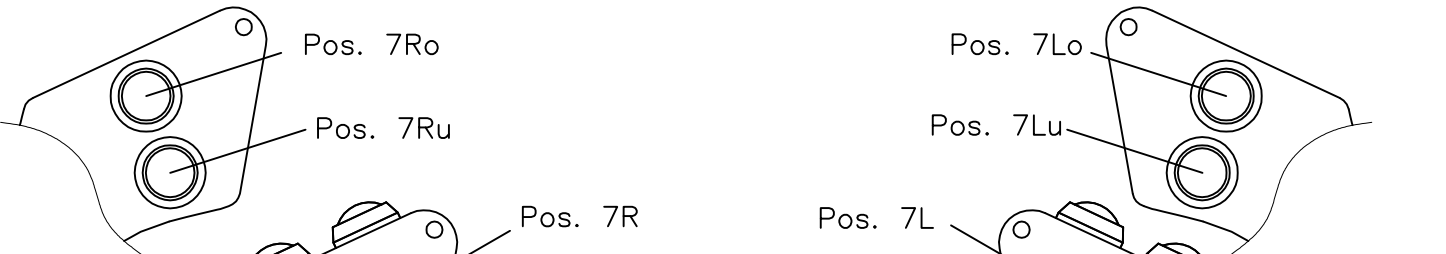
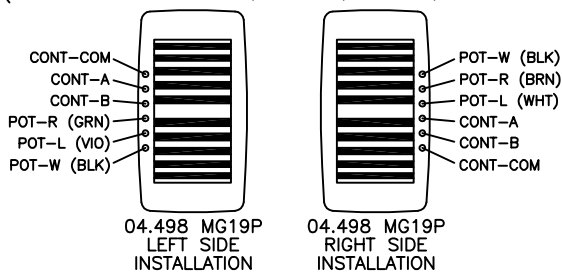
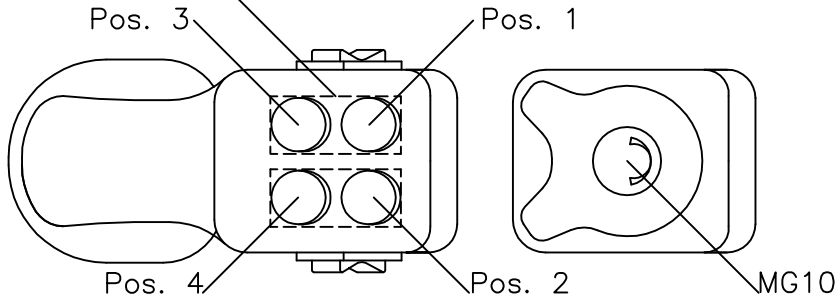
**J.R. MERRITT CONTROLS**

THIS DOCUMENT CONTAINS DATA WHICH IS CONFIDENTIAL AND PROPRIETARY TO JRMC INC. NO DISCLOSURE, REPRODUCTION, OR ANY USE OF ANY PART OF THIS DOCUMENT MAY BE MADE WITHOUT THE WRITTEN PERMISSION OF JRMC INC.

ENGINEERING REVISIONS

REV:	DESCRIPTION:	ECR NO:	BY:	DATE:	APR'D:
06	ADDED WIRE HARNESS LENGTH	2800	KY	07/20/07	DB
07	CHANGED POS. FROM 7RT;7RB;7LT;7LB TO 7Ro;7Ru;7Lo;7Lu	3198	ND	05/19/08	DB
08	CHANGED WIRE COLOR MG10 TO MATCH STANDARD WIRING	3537	ND	05/19/08	DB
09	CHANGED HARNESS LENGTH FROM 26 TO 36"	4294	KY	04/04/12	DB
10	CORRECTED WIRE COLORS ON MG19P, RIGHT & LEFT INSTALLATION	01.207.105	KY	10/28/19	DB

-OPTIONAL ROCKER SWITCH OR MG19P (LOCATIONS 1-2, 1-3, 2-4, OR 3-4)



9 PIN JOYSTICK CONNECTOR	
CONNECTOR	CONTACTS
05.325	05.412
SUPPLY LOOSE	
CONNECTOR	CONTACTS
05.329	05.522

12 PIN JOYSTICK CONNECTOR	
CONNECTOR	CONTACTS
05.326	05.412
SUPPLY LOOSE	
CONNECTOR	CONTACTS
05.330	05.522

**NOTES:**  
WIRING HARNESS TO BE 36" LONG OFF HANDLE BASE

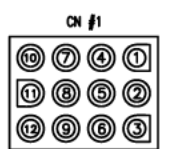
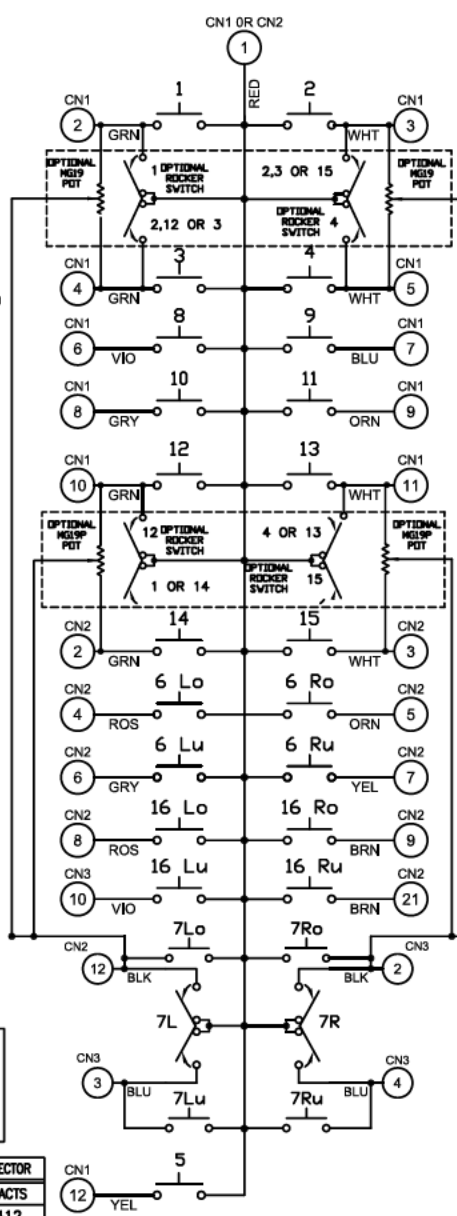
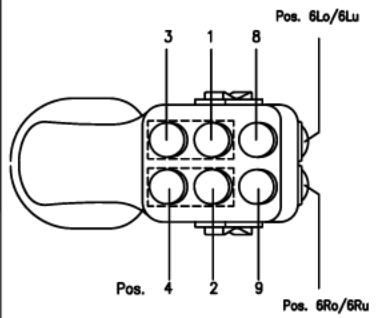
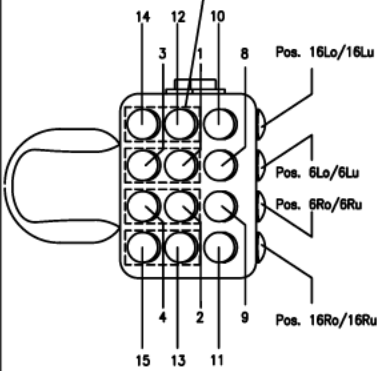
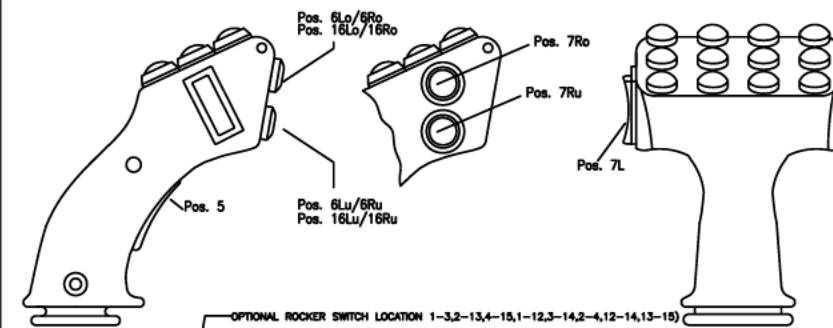


JOB NO:		CUSTOMER:		J.R. MERRITT CONTROLS, INC.	
DRAWN:	DATE:	HANDLE WIRING STANDARD		SCALE:	N/A
JH	03/27/06			SHEET:	1 OF 1
APPROVED:	DATE:	MODEL NO:	FG-3 FIGHTER GRIP HANDLE		REV:
GAR	03/27/06				10
PUB NO:	WEB DOC	DWG NO:	<b>A25.101.6681</b>		SIZE:
					A

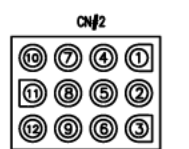
THIS DOCUMENT CONTAINS DATA WHICH IS CONFIDENTIAL AND PROPRIETARY TO J.R.M. INC. NO DISCLOSURE, REPRODUCTION, OR ANY USE OF ANY PART OF THIS DOCUMENT MAY BE MADE WITHOUT THE WRITTEN PERMISSION OF J.R.M. INC.

**6681**

1		2		3		4	
ENGINEERING CHANGES / REVISIONS							
REV.	DATE	BY	ECR	DESCRIPTION			APPR
01	11/08/06	ND	2509	UPDATED WIRING DIAG., PUSHBUTTONS TO AGREE CATALOG PAGE			



12 PIN JOYSTICK CONNECTOR	
CONNECTOR	CONTACTS
05.326	05.412
SUPPLY LOOSE	
CONNECTOR	CONTACTS
05.330	05.522

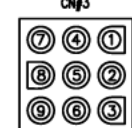
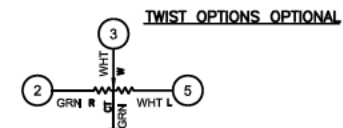


12 PIN JOYSTICK CONNECTOR	
CONNECTOR	CONTACTS
05.326	05.412
SUPPLY LOOSE	
CONNECTOR	CONTACTS
05.330	05.522

- REQUIREMENTS:**
- POSITION 1: MOMENTARY NORMALLY OPEN PUSHBUTTON
  - POSITION 2: MOMENTARY NORMALLY OPEN PUSHBUTTON
  - POSITION 3: MOMENTARY NORMALLY OPEN PUSHBUTTON
  - POSITION 4: MOMENTARY NORMALLY OPEN PUSHBUTTON
  - POSITION 5: MICROSWITCH
  - POSITION 6Lo: MOMENTARY NORMALLY OPEN PUSHBUTTON
  - POSITION 6Ro: MOMENTARY NORMALLY OPEN PUSHBUTTON
  - POSITION 6Lu: MOMENTARY NORMALLY OPEN PUSHBUTTON
  - POSITION 6Ru: MOMENTARY NORMALLY OPEN PUSHBUTTON
  - POSITION 7L: 3 POS. MAINTAINED (OR MOMENTARY) ROCKER SWITCH
  - POSITION 7R: 3 POS. MAINTAINED (OR MOMENTARY) ROCKER SWITCH
  - POSITION 7Ro: MOMENTARY NORMALLY OPEN PUSHBUTTON
  - POSITION 7Ru: MOMENTARY NORMALLY OPEN PUSHBUTTON
  - POSITION 8: MOMENTARY NORMALLY OPEN PUSHBUTTON
  - POSITION 9: MOMENTARY NORMALLY OPEN PUSHBUTTON
  - POSITION 10: MOMENTARY NORMALLY OPEN PUSHBUTTON
  - POSITION 11: MOMENTARY NORMALLY OPEN PUSHBUTTON
  - POSITION 12: MOMENTARY NORMALLY OPEN PUSHBUTTON
  - POSITION 13: MOMENTARY NORMALLY OPEN PUSHBUTTON
  - POSITION 14: MOMENTARY NORMALLY OPEN PUSHBUTTON
  - POSITION 15: MOMENTARY NORMALLY OPEN PUSHBUTTON
  - POSITION 16Lo: MOMENTARY NORMALLY OPEN PUSHBUTTON
  - POSITION 16Lu: MOMENTARY NORMALLY OPEN PUSHBUTTON
  - POSITION 16Ro: MOMENTARY NORMALLY OPEN PUSHBUTTON
  - POSITION 16Ru: MOMENTARY NORMALLY OPEN PUSHBUTTON

- WIRING:**
- NS0 10 WIRES (IN SHAFT)
  - NS3; NS2 15 WIRES (IN SHAFT)NS0
  - - WIRE MAX. (OUTSIDE OF SHAFT IN SPRING SHEATHING)
  - MULTIPLEX HANDLE

- TWIST OPTIONS:**
- TWIST HANDLE WITH 5K POTENTIOMETER
  - TWIST HANDLE WITH HALL SENSOR
  - TWIST HANDLE WITH HALL SENSORS&DIRECTIONAL SENSORS
  - TWIST HANDLE WITH REDUNDANT HALL SENSORS
  - TWIST HANDLE WITH HALL SENSORS&DIRECTIONAL SENSORS



9 PIN JOYSTICK CONNECTOR	
CONNECTOR	CONTACTS
05.325	05.412
SUPPLY LOOSE	
CONNECTOR	CONTACTS
05.329	05.522

**NOTES:**  
 WIRING HARNESS  
 TO BE 26" LONG  
 OFF HANDLE BASE

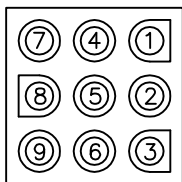
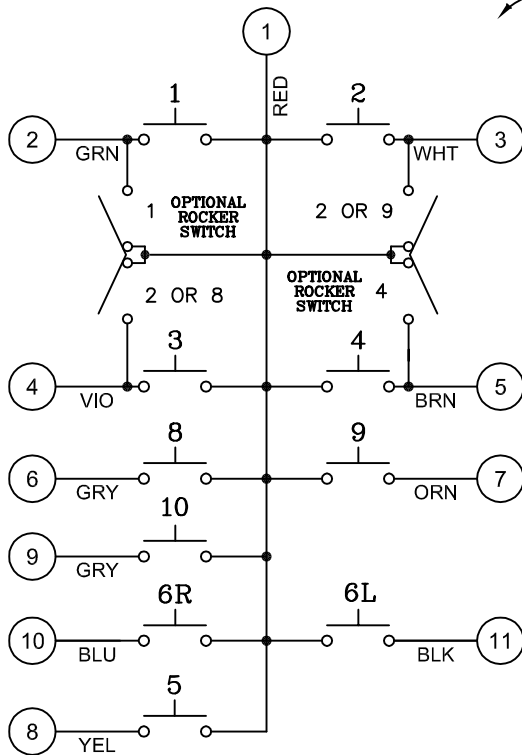
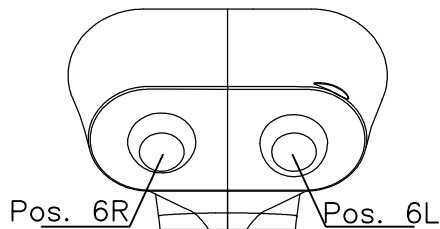
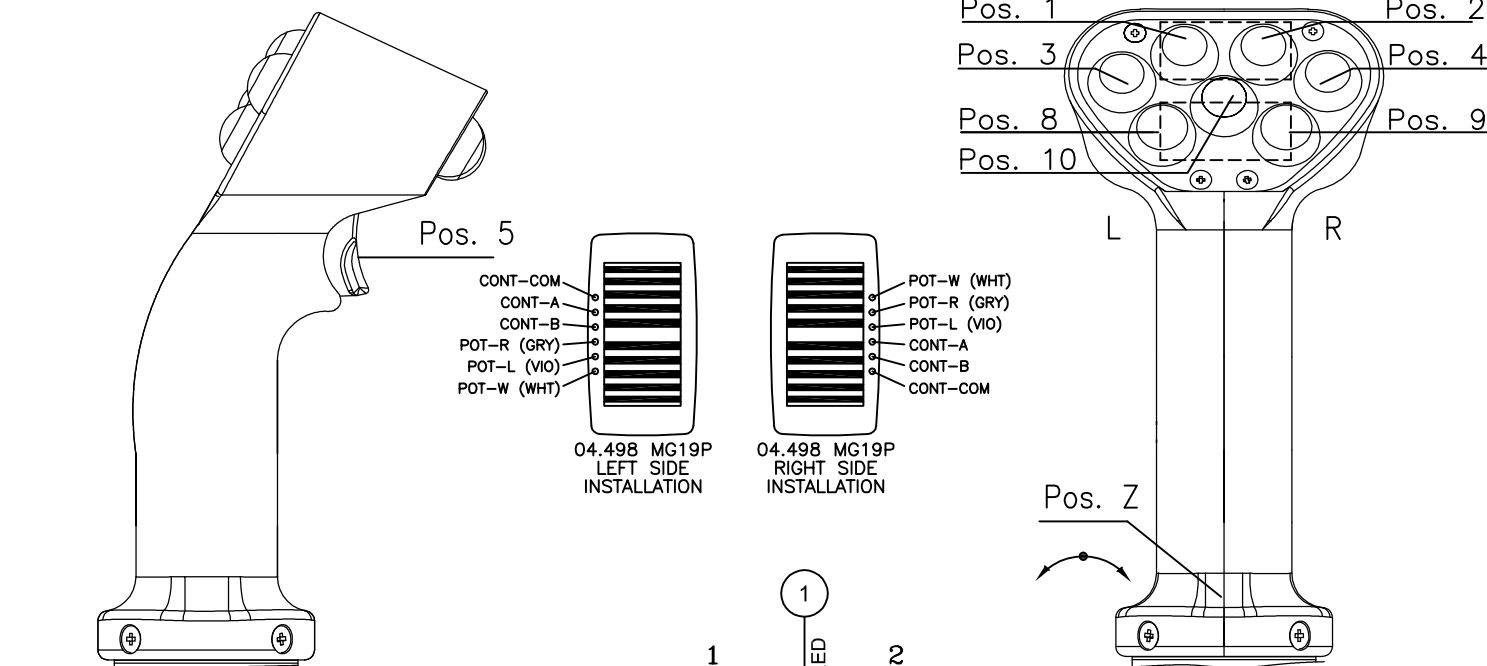
<b>J.R.MERRITT</b> CONTROLS, INC. STRAFORD, CT 06615		CUSTOMER: J.R.MERRITT CONTROLS, INC.	
DRAWN: JH	DATE: 03/27/06	QUOTE #:	JOB #:
ENGR: DB	DATE: 02/14/08	DESCRIPTION: FG-4 R/L WIRING STANDARD	REFERENCE #:
THIS DOCUMENT CONTAINS DATA WHICH IS CONFIDENTIAL AND PROPRIETARY TO J.M.C. INC. NO DISCLOSURE, REPRODUCTION OR ANY USE OF ANY PART OF THIS DOCUMENT MAY BE MADE WITHOUT THE WRITTEN PERMISSION OF J.M.C. INC.		DRAWING #:	SHEET #:
		B25-101.6682	1 OF 1

6682

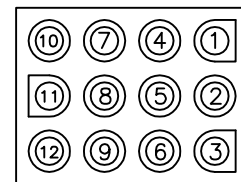
ENGINEERING REVISIONS

REV:	DESCRIPTION:	ECR NO:	BY:	DATE:	APR'D:
01	CHANGED HARNESS LENGTH FROM 26 TO 36"	4294	KY	04/04/12	DB

OPTIONAL ROCKER SWITCH (LOCATIONS 1-2, 1-8, 2-9 OR 8-9)



9 PIN JOYSTICK CONNECTOR	
CONNECTOR	CONTACTS
05.325	05.412
SUPPLY LOOSE	
CONNECTOR	CONTACTS
05.329	05.522



12 PIN JOYSTICK CONNECTOR	
CONNECTOR	CONTACTS
05.326	05.412
SUPPLY LOOSE	
CONNECTOR	CONTACTS
05.330	05.522

**NOTES:**  
 WIRING HARNESS  
 TO BE 36" LONG  
 OFF HANDLE BASE

<p>55 SPERRY AVENUE STRATFORD, CT 06615</p>	JOB NO:	CUSTOMER:	J.R. MERRITT CONTROLS, INC.	
	DRAWN:	DATE:	HANDLE FG5 WIRING STANDARD	
	APPROVED:	DATE:	MODEL NO:	FG-5 FIGHTER GRIP HANDLE
	PUB NO:	WEB DOC	DWG NO:	<b>A25.101.7938</b>
THIS DOCUMENT CONTAINS DATA WHICH IS CONFIDENTIAL AND PROPRIETARY TO JRMCI INC. NO DISCLOSURE, REPRODUCTION, OR ANY USE OF ANY PART OF THIS DOCUMENT MAY BE MADE WITHOUT THE WRITTEN PERMISSION OF JRMCI INC.			SCALE:	N/A
			SHEET:	1 OF 1
			REV:	01
			SIZE:	A

**7938**