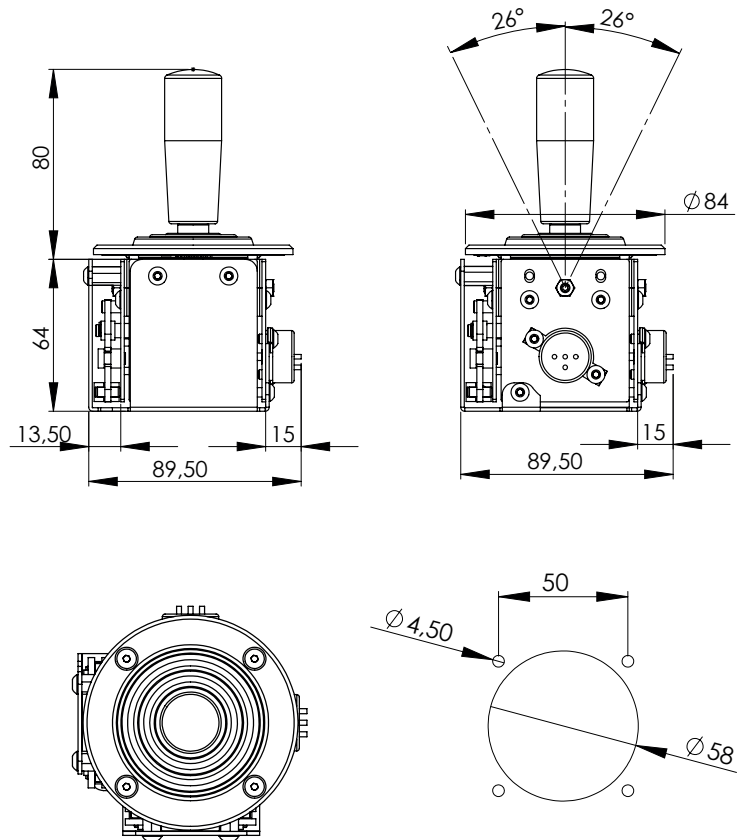
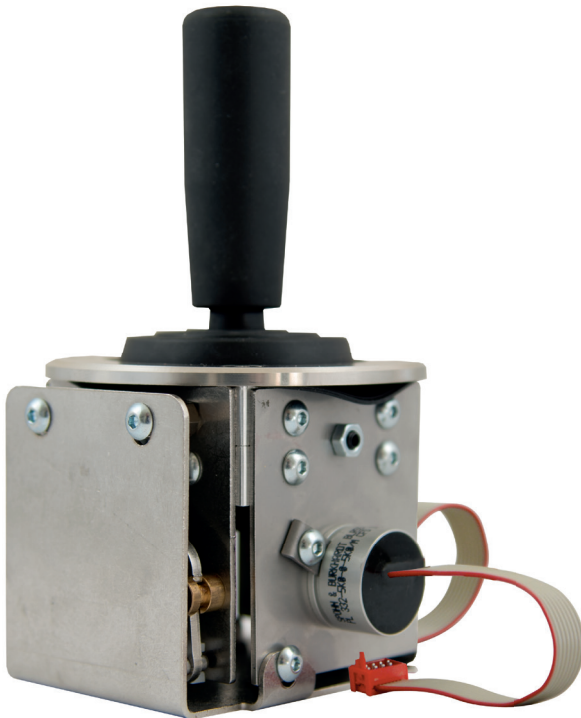
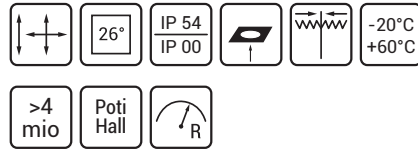


JMS3

For the highest precision.

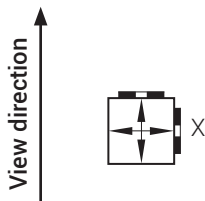
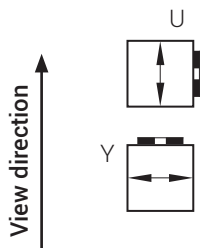


All-metal joystick manufactured with the highest precision. An aluminum base element is positively mounted on the modular stainless steel and brass parts. Low-force and precise control is achieved by a solid brass gear and special oil-damped rotation dampers. Potentiometers or encapsulated HALL sensors are flange-mounted on the side for analogue output signals; on request, they can be installed with zero-play gearing based on a special design. The ball bearing calotte and yoke are installed inverted in order to achieve a very compact design. This design solution assures a low handle height,

which also facilitates exact and direct operation. The specially designed rubber boot visually completes the very flat appearance from above. Equipped with specially developed finger grips, this joystick is installed increasingly often in control consoles, control stands, and desks. This joystick demonstrates its strengths in applications requiring reliable control of fast vehicles and machines or extremely precise start and adjustment of loads in crane applications.

Drive E
Arrangement Y, U

Drive V
Arrangement X



JMS3 F E- U
Y - R

JMS3 F V- X - R

Scope of supply:

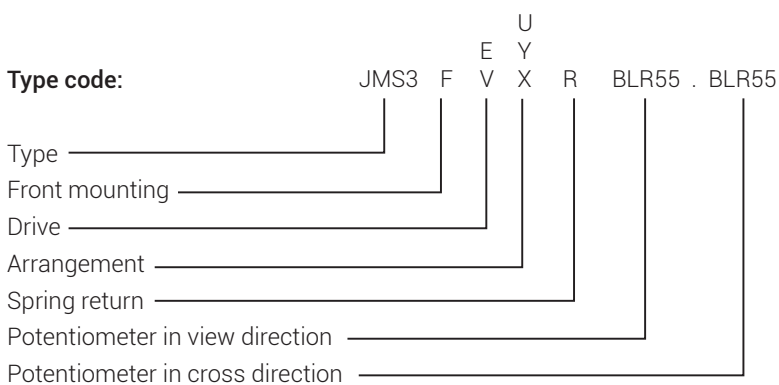
- Drive arrangement
- Escutcheon
- Rubber boot
- Handle G52
- Spring return

Further technical information:

- TI-JMS3-1/2 + 2/2

Additional charge for:

- Potentiometer see sheet E-Electronic-1



Installation dimensions, installations from below

Escutcheon	ø 84 mm
Mounting dimensions	ø 58 mm
Fastening bores	4 x 4,5 mm
Mounting depth	min. 64 mm
Height with handle	min. 70 mm
More installation dimensions see TI-JMS3-2/2	

Mechanical properties

Lever deflection	± 26° with limiting gate
Impact force in X- and Y-direction	max. 15 Nm (max. 500 N at 30 mm distance from pivot point)
Life cycle	> 4 Mio. switching cycles

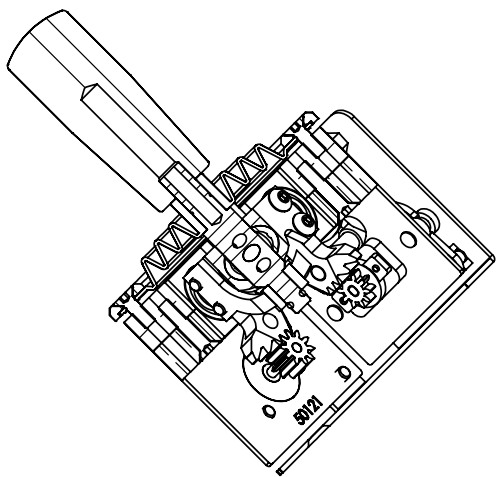
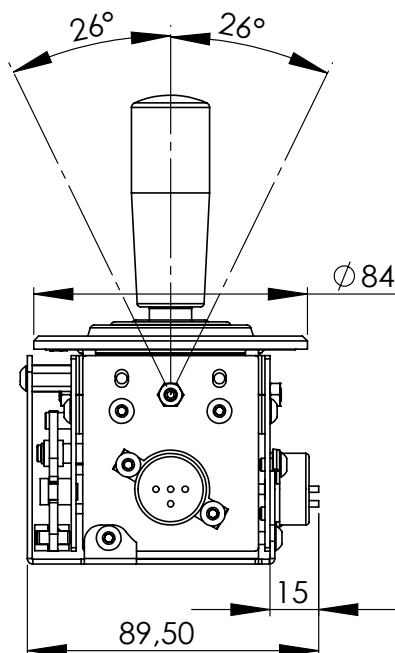
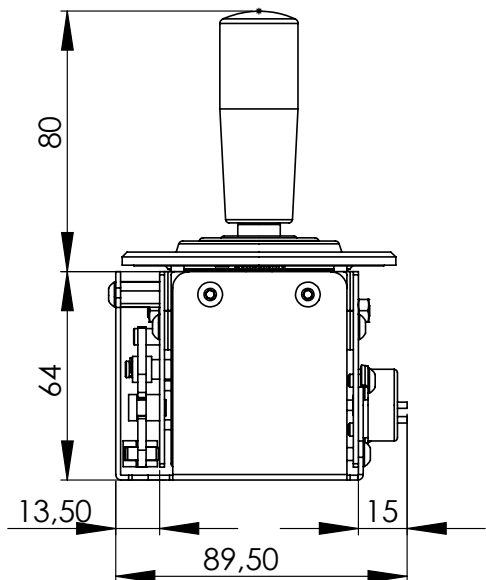
Electrical characteristics

Sensor type	Conductive plastic potentiometer with direction contacts
Type	B5 B10 BLR5 BLR55

General characteristics

Working temperature	-20°C bis +60°C
Storage temperature	-50°C bis +90°C
Degree of protection from outside with standard handle	IP54

Version:
Front mounting with handle



I-I

