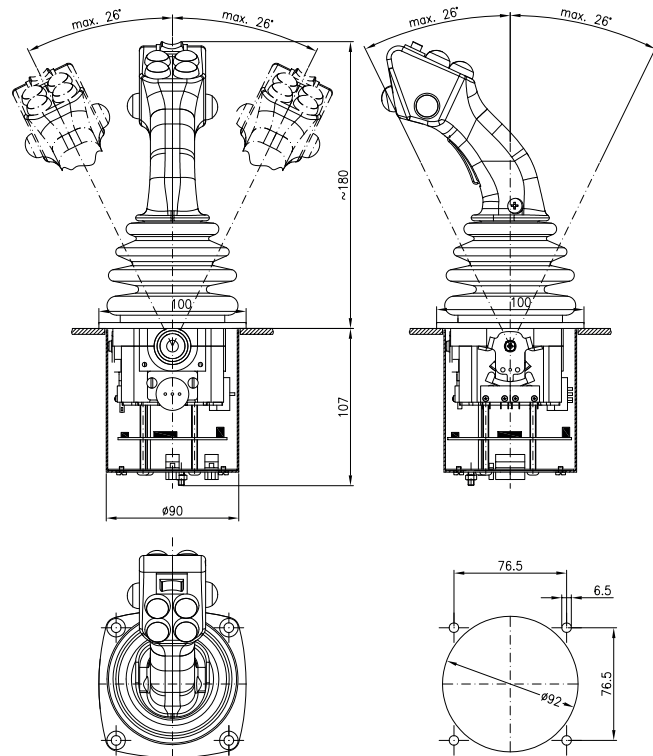
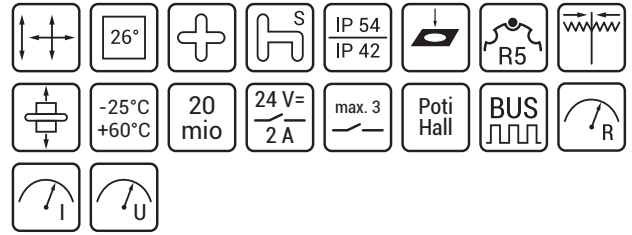


# NS3

Our bus professional.



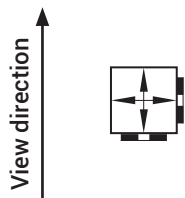
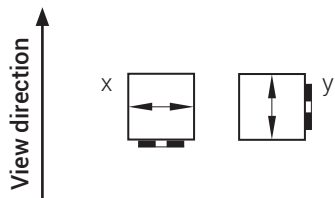
Metal gears and aluminum pressure casting elements are the highest Spohn + Burkhardt quality features for this compact precision joystick. The bearing is provided in a special pairing of bronze and plastic and enables very precise and sensitive work. The special console design enables activation of electronic elements such as Hall sensors and potentiometers and the use of up to three switch contacts. Several bus and amplifier printed circuit boards are available as units that can be integrated on the underside with special encapsulation for EMC purposes. Pulse-width-modulated power distribution for activation

of solenoid valves is also available. Of course, we also offer special gates for the guidance of the sturdy 12 mm handle shaft in addition to the standard gates. In combination with bus systems, the NS3 is suitable for tough conditions in construction, agricultural, and forestry applications, as well as for special machinery applications. There is also a wide range of handle options available from our modular system, or we can work with you to develop a custom version specifically for your requirements.

Please note the view direction for following handles: G1, G2, G13, G25, G50, G51, G56, G58, UGA, UGN

Drive E  
Arrangement Y, X

Drive V



NS3--AK E  $\begin{matrix} X \\ Y \end{matrix}$  R

NS3--AK V R

NS3G--AK E  $\begin{matrix} X \\ Y \end{matrix}$  R

NS3G--AK V R

Legend:



### Scope of supply, additional charge, type code

#### Scope of supply NS3

- Handle G22 without fitting
- Rubber boot
- Spring return
- Zero notch
- Limiting gate 26°
- On the connection side IP00

#### Scope of supply NS3G

- Handle G22 without fitting
- Rubber boot
- Spring return
- Zero notch
- Limiting gate 26°
- Protective housing for drive/electronic

#### Handle/attachments

Fitting in handle	see sheet G-1/...
Potentiometer	see sheet E-Electronic-1
Contact circuits	see sheet TI-S-7
Electronic	see sheet E-Electronic-1

Technical information see  
TI-NS3

#### Additional charge:

- Contact circuits see sheet J-NS3-S
- With spring return without zero notch RL without additional charge
- Cross gate KK
- Special limiting gate SAK
- Special gate SK
- Slot gate SZK
- Mechanical interlock, only with cross- or slot gate Z
- Special notching disc SRS

Type code: AK<sup>2)</sup>  
KK  
18 SAK EX  
NS3 14 SK EY R Z MP1.MP1. + BLR10B. BLR10B. + ESS094A  
NS3G 11 SZK V RL

Type	_____
Lever length 180   140   110 mm	_____
Limiting   cross   special gate	_____
Single   two axis	_____
Spring return   spring return without zero notching	_____
Mechanical interlock <sup>1)</sup>	_____
Contact circuit in view direction	_____
Contact circuit in cross direction	_____
Potentiometer in view direction	_____
Potentiometer in cross direction	_____
Electronic	_____

1) only with cross or slot gate available

2) AK standard

Additional charge for circuits  
NS3, NS3G

**Circuits without potentiometer**

Soldered connection  
Silver contacts

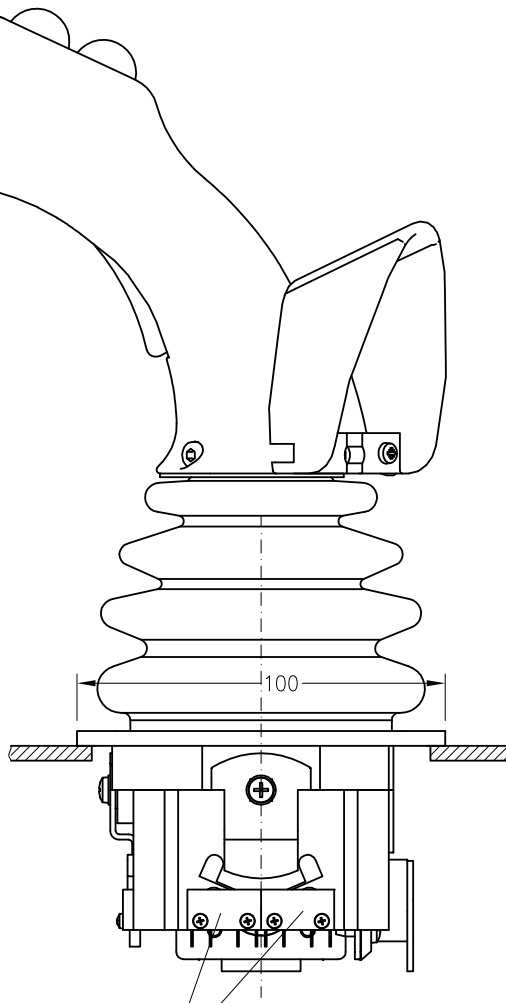
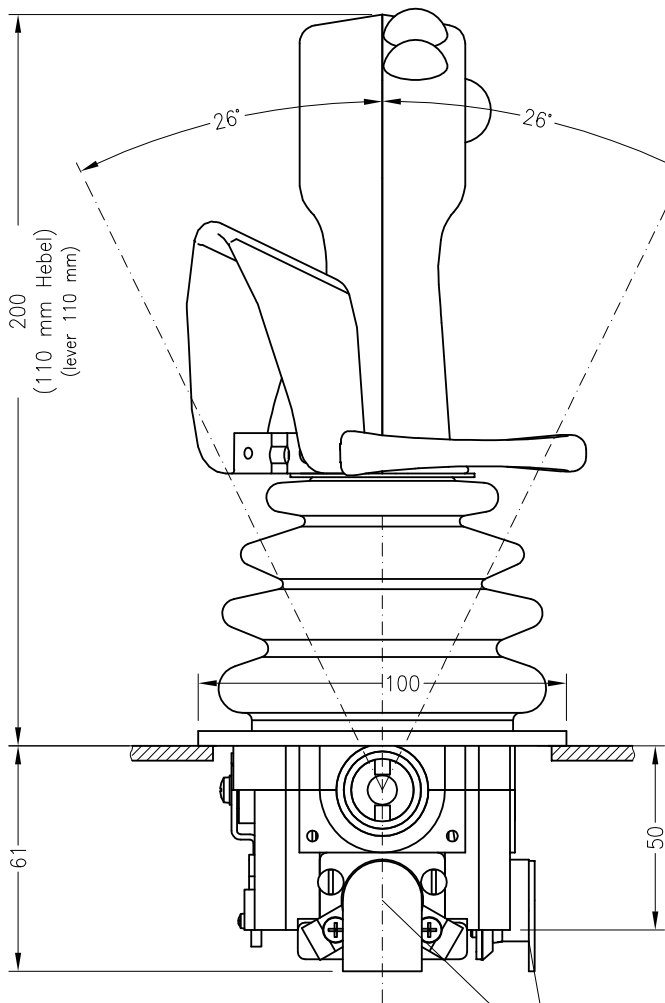
M  
M1

**Potentiometer circuits**

Soldered connection  
Silver contacts

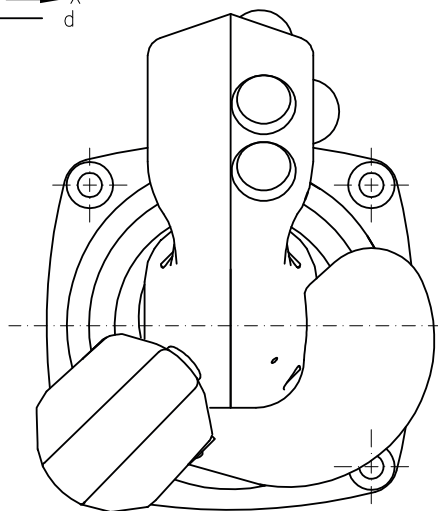
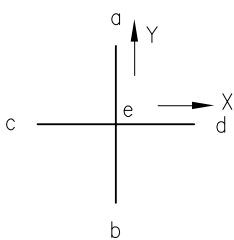
MP  
MP1  
MP5  
PN  
PNN  
8P1

Arrangement contacts see sheet TI-S-7

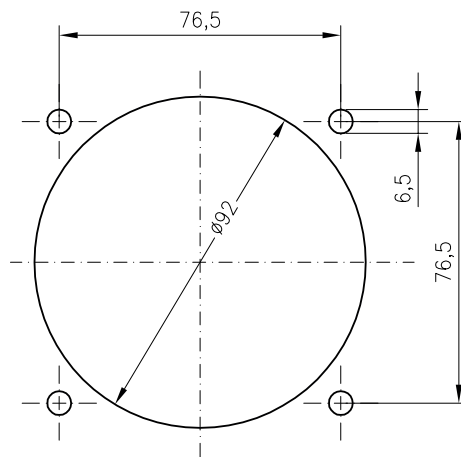


Potentiometer  
potentiometer

Mikroschalter  
microswitch

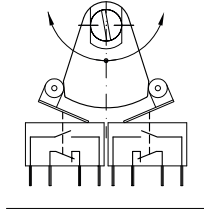


Einbauöffnung  
mounting dimensions



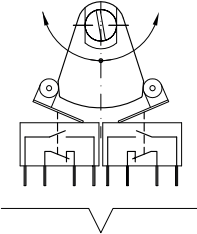
With microswitches

M



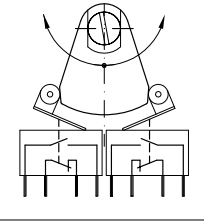
1 - 0 - 1 without potentiometer without zero notching

M1



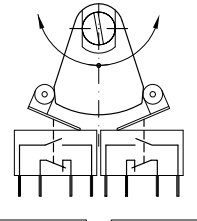
1 - 0 - 1 without potentiometer with zero notching

MP



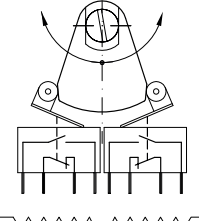
Potentiometer circuit without zero notch

MP1



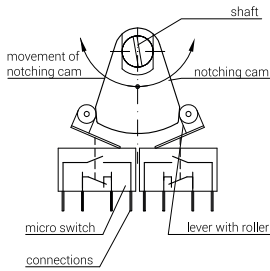
Potentiometer circuit with zero notch

MP5

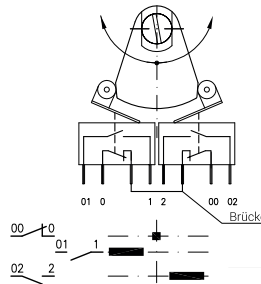


Potentiometer circuit with 5-0-5 steps and feeling notches

Connection example



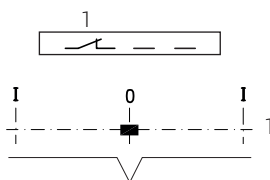
Design



Potentiometer circuit with zero- and direction contacts

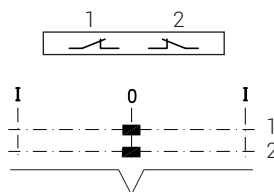
With double contact elements

PN



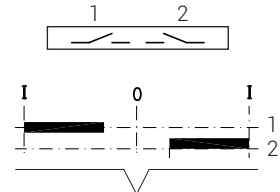
Potentiometer circuit with zero notching

PNN



Potentiometer circuit with zero notching

8P1



Potentiometer circuit with zero notching

Additional charge for circuits  
NS3, NS3G

**Circuits without potentiometer**

Soldered connection  
Silver contacts

M  
M1

**Potentiometer circuits**

Soldered connection  
Silver contacts

MP  
MP1  
MP5  
PN  
PNN  
8P1

Arrangement contacts see sheet TI-S-7