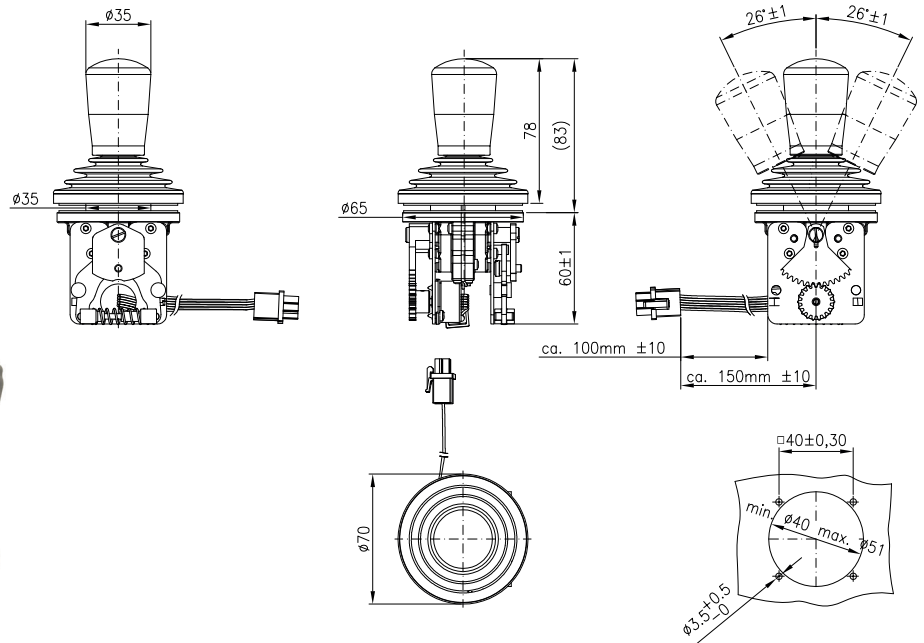
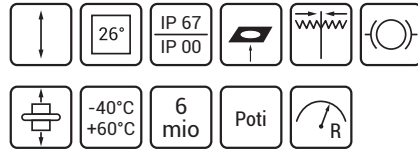


ST4

The weather-proof 1-axis joystick.



A specially-designed joystick for wind and rain, snow and ice. The innovative drive block, made of special plastic, guarantees even with defective rubber boot tightness and functionality when water

enters. Specially designed for construction and agricultural machinery without cabin, this version ensures maximum performance. For everything that is exposed to wind, weather and sunlight.

Installation dimensions

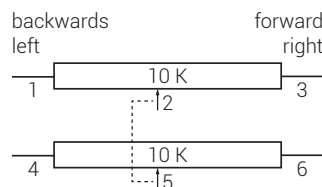
External diameter with escutcheon	ø 70 mm
Mounting dimensions	ø 40 mm to 51 mm
Mounting depth	60 mm from mounting plate

Mechanical characteristics

Lever deflection	± 26°
Impact force	max. 400 N at 90 mm distance from pivot point
Impact force in Z-direction	± 400 N (compressive and tensile loading)
Life cycle	> 6 million operating cycles under the influence of climate (-40°C bis +85°C)
Brake power	8N ± 1
Retraction force	4N ± 1

Electrical characteristics

Potentiometer BD1010 conductive plastic, redundant
 resistance: per lane 10 KOhm
 connection: 6-polig Mat N Lok
 Assignment deflection joystick - connection potentiometer / extension cable



Pin Mat N Lok	Color extension cable
1	red
2	yellow
3	blue
4	white
5	violett
6	grey

Potentiometer BLR55 technical informations see TI-POTI-6

Potentiometer B55 technical informations see TI-POTI-5

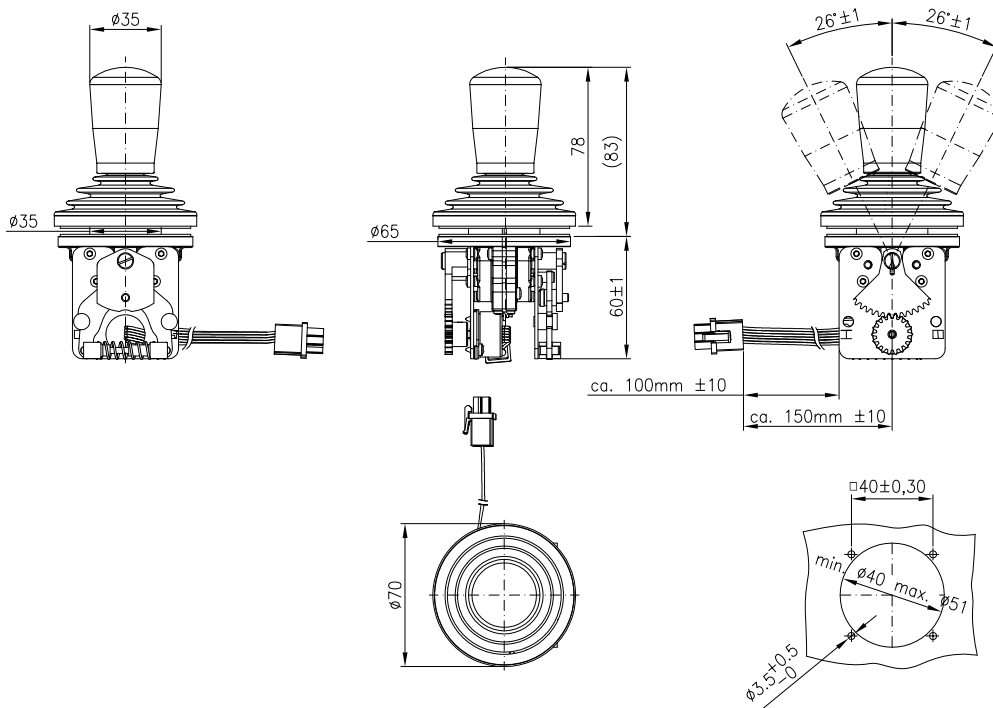
Reedcontact for mechanical interlock  1 opener

Connection: 2-pin Mat N Lok

General characteristics

Working temperature	-40°C to +85°C
Storage temperature	-50°C to +90°C
Degree of protection from outside (with standard handle and boot)	IP67

Version: Handle G45,
spring return



Version: with mechanical in-
terlock, handle G45-Z, friction
brake, reed contact

