

FG2 FIGHTER GRIP HANDLE



The FG2 fighter grip handle shares the same benefits of the entire FG handle series in a more compact size with an integrated hand rest. Available with push buttons and rocker switches, the FG2 can be tailored to fit the individual control needs of virtually any application.



COMPACT
DESIGN



HIGHLY
CONFIGURABLE



IP42
PROTECTION

DEVICE POSITIONS	PG 2

DIMENSIONS	PG 3

DEVICE SPECIFICATIONS	PG 4

DEVICE LOCATIONS*



BUTTONS

1 Position Device

- Flush Push Button***
- Extended Push Button



***Optional sealing boot available



ROCKER SWITCHES

1 Position Device

- Momentary (1-0-1) Rocker Switch



TRIGGER

Position 5 Only

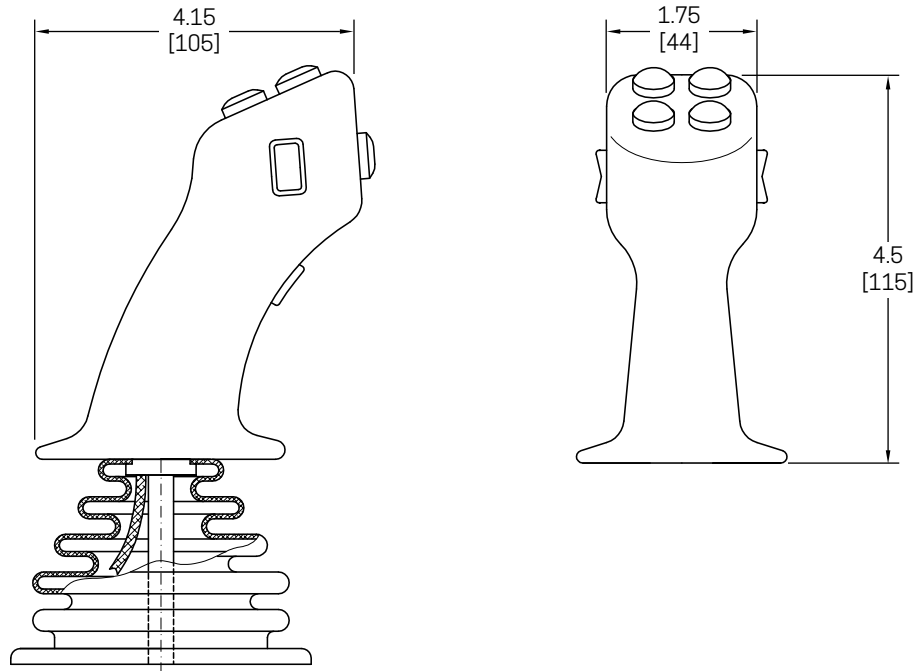
- Operator Presence Switch (1 NO)



*Due to space restrictions, not all variations of options are available in all positions.

Total number of devices is dictated by how many wires will fit down the joystick shaft. See device specification page for more details.

DIMENSIONS



All dimensions in inches [mm] and are subject to change.

DEVICE SPECIFICATIONS*				
TYPE	CONTACT	RATING**	OPERATING TEMPERATURE	IP RATING
Push Buttons	1 NO	1 A 28 VDC	-40°F to 185°F (-40°C to 85 °C)	IP64 IP68S (w/ Sealing Boot)
Rocker Switch	1 NO, 1 NO (1-0-1)	6 A 125 VAC	-4°F to 221°F (-20°C to 105 °C)	IP40
Trigger	1 NO	6 A 125 VAC	-13°F to 221°F (-25°C to 105°C)	IP54

WIRES PER DEVICE ***	
DEVICE	# OF WIRES
Push Buttons	1
Rocker Switch (1-0-1)	2
Trigger	1

MAX WIRES PER SHAFT DIAMETER		
SHAFT DIAMETER	PRODUCTS	MAX. # OF WIRES
8 mm	All	8 wires
10 mm 12 mm	CS3HD VNS2, NNSO	16 wires

*Device specifications subject to change without notice.

**All handles wired with 24 AWG wire (rating is 3A max).

Wires run through a steel shaft, so should be limited to 30V AC/DC max.

***For configurations using a single common wire. If application requires individual common wires, device wire counts will increase for those devices.