

# G58 MULTI-FUNCTION HANDLE

The G58 multi-function handle provides optimal performance and comfort in a robust design that can be used for left-hand or right-hand operation. Available with push buttons, thumbwheels, mini joysticks and a trigger, the G58 features a range of individually customizable device plates to fit the needs of your application.



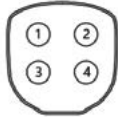
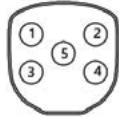
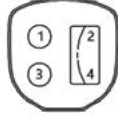



HIGHLY  
CONFIGURABLE




MODULAR  
DESIGN



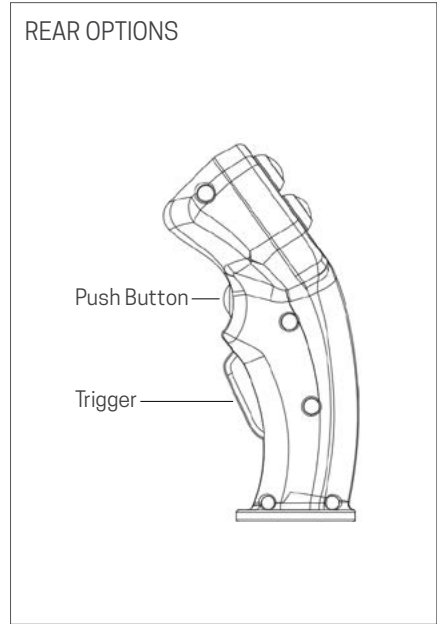
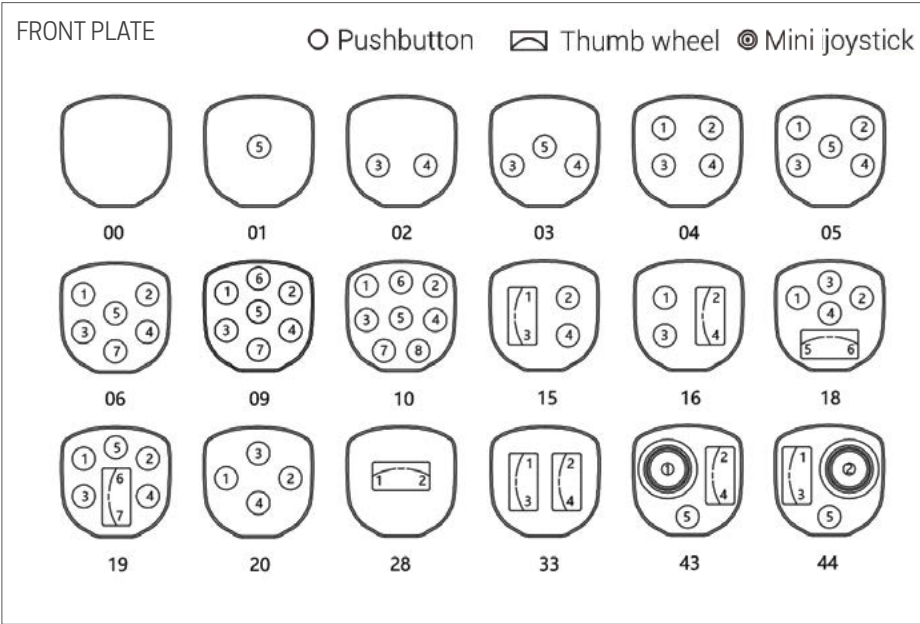
IP65  
PROTECTION

HANDLE OPTIONS	PG 2
 	
 	
 	

DIMENSIONS	PG 3
	

DEVICE SPECIFICATIONS	PG 4
 	

## STANDARD DEVICE LAYOUTS\*



## DEVICE OPTIONS

### PUSH BUTTONS

- Flush Push Button\*\*
- Extended Push Button



\*\*Optional sealing boot available

### THUMBWHEELS

- Spring Return, Hall-Effect Thumbwheel

### MINI JOYSTICKS

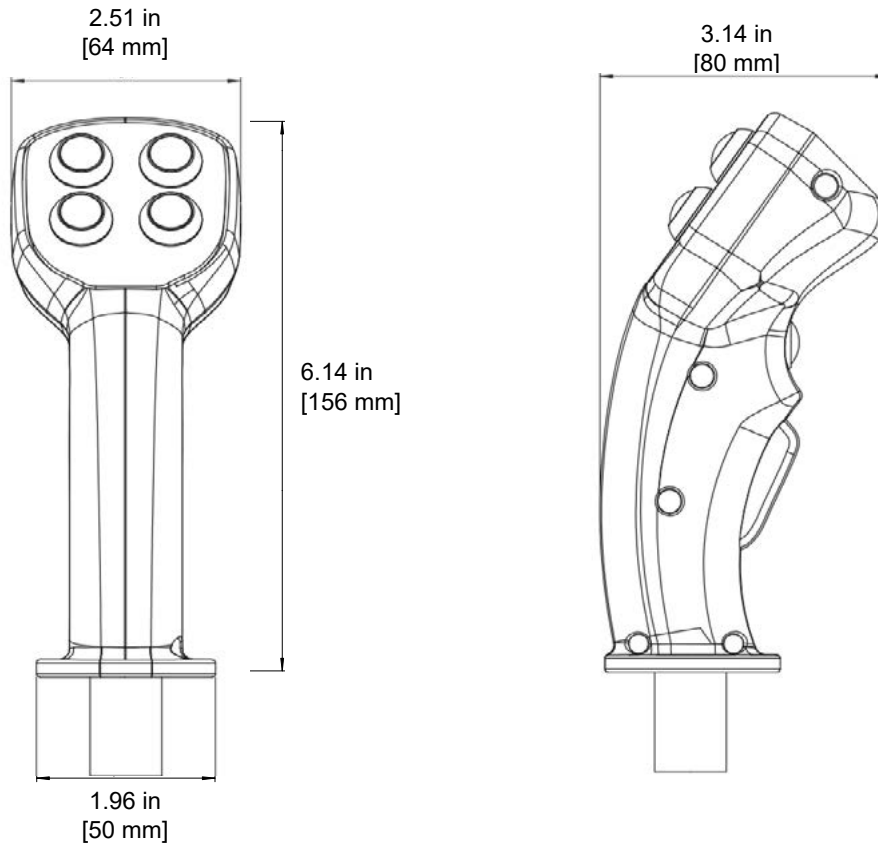
- 2-Axis, Spring Return Hall-Effect Mini Joystick

\*Custom layouts available upon request.

Due to space restrictions not all faceplate and rear plate combinations are achievable.

Total number of devices is dictated by how many wires will fit down the joystick shaft. See device specification page for more details.

## DIMENSIONS



All dimensions in inches [mm] and are subject to change.

DEVICE SPECIFICATIONS*				
TYPE	CONTACT	RATING**	OPERATING TEMPERATURE	IP RATING
Push Buttons	1 NO	1 A 28 VDC	-40°F to 185°F (-40°C to 85 °C)	IP64 IP68S (w/ Sealing Boot)
Thumbwheel (Hall-Effect)	N/A	<b>Supply:</b> 5 VDC ± 0.50 VDC <b>Output:</b> 0.5 - 2.5 - 4.5 VDC + 4.5 - 2.5 - 0.5 VDC Redundant (crossed)	-22°F to 158°F (-30°C to 70 °C)	IP67
Mini Joystick (Hall-Effect)	N/A	<b>Supply:</b> 5 VDC ± 0.50 VDC <b>Standard Output:</b> 0.5 - 2.5 - 4.5 VDC + 4.5 - 2.5 - 0.5 VDC Redundant (crossed) <b>Optional Output:</b> 0.5 - 2.5 - 4.5 VDC Non standard options may increase lead time.	-13°F to 158°F (-25°C to 70 °C)	IP67

WIRES PER DEVICE ****	
DEVICE	# OF WIRES
Push Buttons	1
Thumbwheel (Hall, Redundant)	4
Mini Joystick (Hall, Redundant)	4

MAX WIRES PER SHAFT DIAMETER		
SHAFT DIAMETER	PRODUCTS	MAX. # OF WIRES
8 mm	All	8 wires
10 mm 12 mm	CS3HD VNS2, NNSO, HS2, NS3	16 wires

\*Device specifications subject to change without notice.

\*\*All handles wired with 24 AWG wire (rating is 3A max).

Wires run through a steel shaft, so should be limited to 30V AC/DC max.

\*\*\*\*For configurations using a single common wire. If application requires individual common wires, device wire counts will increase for those devices.