



MERRITT SYNERGY™

OPERATOR CHAIR SYSTEMS



J.R. MERRITT 
CONTROLS



MERRITT SYNERGY™

OPERATOR CHAIR SYSTEMS

Combining superior comfort and adjustability, the MERRITT SYNERGY line of operator chair systems brings ease-of-use and productivity to new heights.

TABLE OF CONTENTS

ADVANTAGES & APPLICATIONS	3
ADJUSTABILITY	4
SEATING & SUSPENSION	5
CONTROL CONSOLES	7
JOYSTICKS & HANDLES	8
FOOTRESTS & SLIDES	9
MODELS & SPECIFICATIONS	10
DIMENSIONAL DRAWINGS	11

ADVANTAGES & APPLICATIONS



IMPROVED NECK & UPPER BACK SUPPORT

The MERRITT SYNERGY chair systems feature a multitude of adjustment capabilities to help optimize comfort and reduce stressful seating positions for operators of all statures, from less than five feet tall to well over six feet in height.



HIGH RESOLUTION, PRECISION CONTROL

High-resolution joysticks allow finer movement over a wider arc, helping the operator to hit the target with less stress and fewer corrections. Engineered for continual use in a multitude of environments.



APPLICATIONS

The MERRITT SYNERGY's consoles, seats, suspension, armrests, and optional footrests offer numerous independent adjustments in a heavy-duty package. The system's integrity, strength and adjustability make this premium line very popular for all machine and industrial cabin applications. Its versatile design, with many features and options, make the system highly customizable. MERRITT SYNERGY systems are commonly used on Cab Operated Cranes, Pulpits, Mining Dredges, Draglines, Drills, and Maintenance of Way Equipment.

ADJUSTABILITY



FEATURES & OPTIONS

SEATING & SUSPENSION

OPTIONS

ACTIMO SEAT



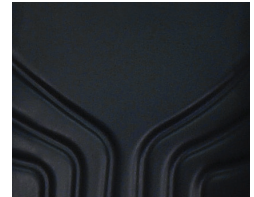
The Actimo operator seat offers a large range of quick and easily accessible adjustment features to adapt to most individuals in a range of applications. Standard features include mechanical lumbar support and ultra-tough velour or vinyl upholstery along with fore and aft seat slides, backrest tilt, cushion tilt, depth adjustment, and adjustable headrest.

MATERIAL

STANDARD OPTIONAL*



VELOUR



BLACK VINYL

BLACK LEATHER

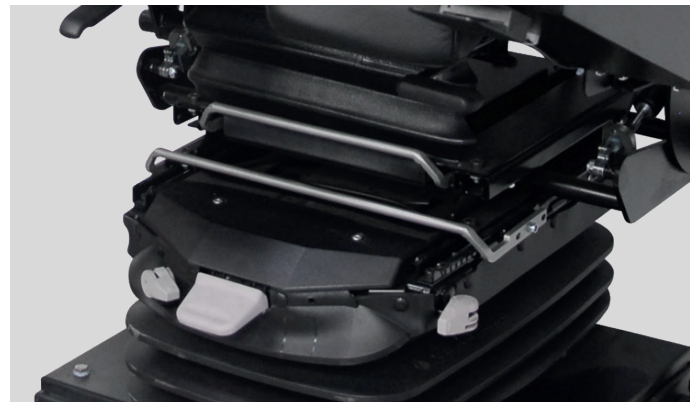
ADDITIONAL OPTIONS*

- ARMRESTS WITH TILT ADJUST
- 2-POINT RETRACTABLE SEAT BELT
- 4-POINT SHOULDER HARNESS
- OPERATOR PRESENCE SWITCH

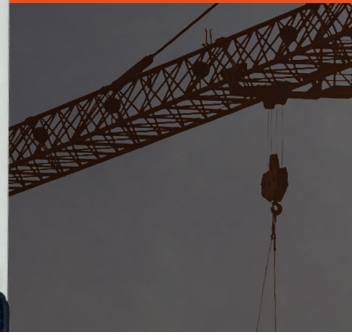
FEATURES

SUSPENSION & RISERS

- Mechanical scissor for tilt and additional height adjustment.
- Dual seat and console slide system allows the consoles and seat to slide together or the seat to slide independently of the consoles.
- Wide, pneumatic, heavy-duty suspension with 12 or 24v operation. Max. weight capacity of 375 lbs. (170 kg). Includes mechanical lumbar support and adjustment.



FEATURES & OPTIONS CONTROL CONSOLES



FEATURES

CONTROL CONSOLES

Customizable consoles feature a full range of adjustability to increase the comfort of your operators. Gas shock assisted tilt and movement capabilities are activated by conveniently located push buttons or levers, simplifying and speeding up the adjustment process. Console mounted armrests with angle adjustment help provide the necessary upper body support for applications when the operator is required to lean forward. Wired to your specifications.



Standard console paint color is light gray. Optional custom colors, including black, are available.



STANDARD 10" CONSOLE

Removable covers that allow 8 buttons and 1 joystick or 6 buttons and 2 joysticks.



STANDARD 12" CONSOLE

Removable covers that allow 14 buttons and 1 joystick or 12 buttons and 2 joysticks.



CUSTOM-SIZED CONSOLE

Custom console with widths available up to 15" wide.

CONSOLE OPTIONS

STAINLESS STEEL COVERS

STANDARD OPTIONAL*



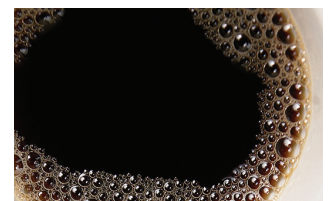
CUSTOMIZED
CONTROLLERS



CUSTOM-WIRED-
PILOT DEVICES



BLACK LEATHER
HANDREST



CUP HOLDERS

OPTIONS

JOYSTICKS

J.R. Merritt VNSO and VNS2 high-resolution joysticks provide the right combination of low cost of ownership and rugged reliability. See for yourself why J.R. Merritt high-resolution joysticks are the first choice in mission-critical applications where downtime is not an option.

- Single or multi-axis
- Non-contacting and contacting technologies
- Maintained, stepped, spring return, or friction-held handle action
- Drop-in or panel-mounted controllers
- And more

VNSO | MULTI AXIS



- Panel mounted
- High duty cycle applications
- Step, stepless or friction brake
- Supports multiple handle functions & output devices

NNSO | MULTI AXIS



- Large-diameter operating shaft
- Panel or drop-in mounting
- Step, stepless or friction brake
- Supports multiple handle functions & output devices

VCSO | MULTI AXIS



- Compact, panel mounted
- Step, stepless or friction brake
- Supports multiple handle functions & output devices

NS3 | MULTI AXIS



- Drop-in mounting
- Step, stepless for PROFIBUS and CAN bus
- Supports multiple handle functions & output devices

PRO4 | SINGLE AXIS



- Compact, panel mounted
- Step, stepless or friction brake
- Supports multiple handle functions & output devices

CS1 | MULTI AXIS



- Ultra-compact, panel mounted
- Step, stepless or friction brake
- Supports multiple handle functions & output devices

VISIT JRMERRITT.COM TO SEE OUR FULL LINE OF JOYSTICKS & CONTROLLERS

HANDLES

Multi-function grips put functionality at the operator's fingertips and provide benefits in efficiency, space and design. We provide standard and custom multi-function grips to personalize your equipment.

BH



MG27



MG1



MG25



FG-3



FG-4



FG-5



FG-6



FEATURES & OPTIONS

FOOTRESTS & SLIDES



OPTIONS

FOOTRESTS

Footrests turn with the system and are highly adjustable to suit each individual operator and a variety of working positions.

- 2-piece open footrest
- Adjustable 2-piece with hinge for sideways adjustment



OPTIONS

FOOT PEDAL



Heavy-duty foot pedals are designed with rugged, sealed construction, suitable for precise control in high duty cycle applications.

Available in:

- Proportional
- Step
- On/Off

OPTIONS

FLOOR SLIDES

Floor slides optimize installation space and provide improved usability for various tasks. Floor slide sections are available in custom lengths up to 6000mm (19'). The stainless steel, roller-action floor slide has a quick release adjustment lever that can be operated while seated.

- Manual or solenoid floor slides
- Various slide ranges available



SPECIFICATIONS MODELS



FSRHD-G

Heavy-duty, fully adjustable operator armchair system ideal for machine and industrial cabin applications including pulpits, simulators, cranes, mining dredges and shovels. The armchair's versatile design makes it highly customizable, easy to use, and less bulky than other models. Developed to accommodate operators of different statures in a variety of cabin configurations, the FSRHD-G armchair system has multi-adjustable armrests and footrests.

FSRHD-2G

Building on the attributes of the FSRHD-G, the 2G chair system has been engineered with additional levels of adjustability and ease-of-use to further cater to the needs of equipment operators. The tilt and movement capabilities of the consoles are controlled by conveniently located push buttons or levers, simplifying and speeding up the adjustment process. Featuring a sleek new design, the chair system's wires and cable routing are fully integrated within the unit.



FSRHD-G & FSRHD-2G SPECIFICATIONS W/ KOENIG SEAT

Rotation 270° max

Seat Slide 15.6" [400 mm] total adjustment
7.8" [200 mm] seat slide range
7.8" [200 mm] seat and consoles slide range

Backrest Recline 10° (forward) - 0° - 80° (backward)

Seat Cushion Adjustment Depth 3.9" [100 mm]

Scissors Height: adjustable to 3.2" [80 mm]
Tilt: adjustable to 14°

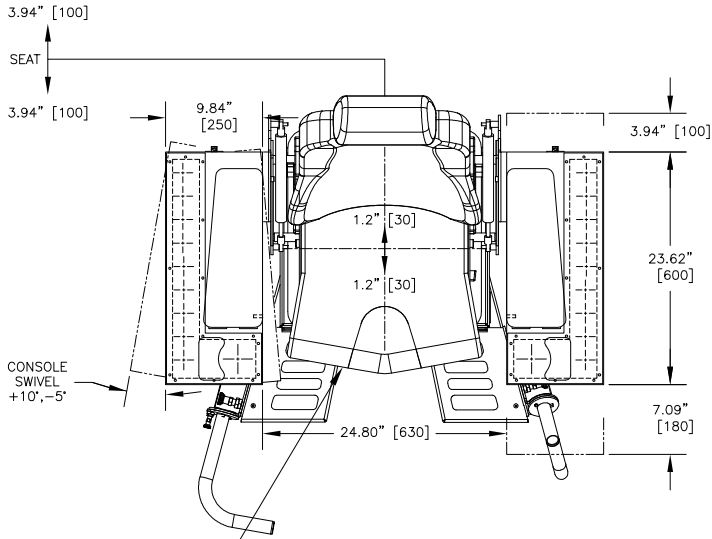
Armrests 11 positions, 5° - 30°

Consoles Tilt: -20° (down), +50° (up)
Slew: 5° in to 10° out

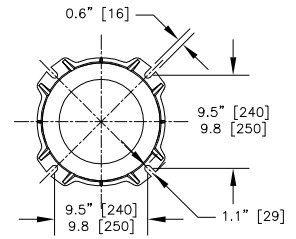
Headrest Height adjustment: 2.4" [60mm]
Tilt: 38°

**Heavy-Duty
Air Suspension** Max Weight: 375 lb [170 kg]
Automatic weight adjustment
12-24 VDC models

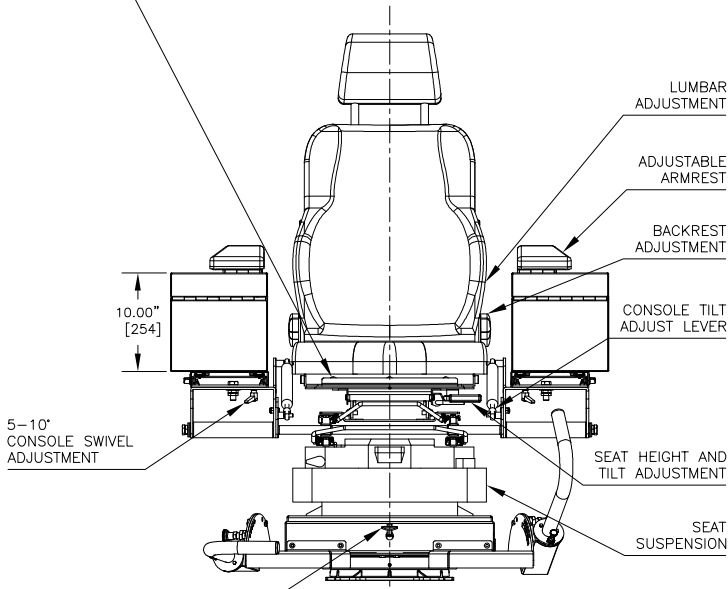
SPECIFICATIONS FSRHD-G OVERALL DIMENSIONS



INDEPENDENTLY
ADJUSTABLE CONSOLES
TILT UP/DOWN
SLIDE IN/OUT
OTHER CONSOLE
SIZES AND SHAPES
AVAILABLE



SEAT CUSHION
FORE & AFT
ADJUSTMENT



SPRING LOADED
PIN LOCK BRAKE
OR FRICTION BRAKE

WEIGHT: 176-264lbs. (80-120kg>)
STANDARD FINISH: LIGHT GRAY
POWDER COAT

CONSOLE POSITION
ADJUSTMENT

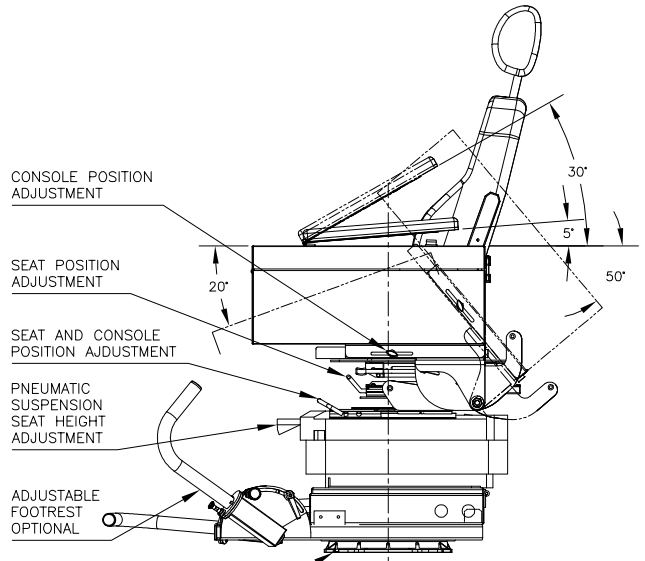
SEAT POSITION
ADJUSTMENT

SEAT AND CONSOLE
POSITION ADJUSTMENT

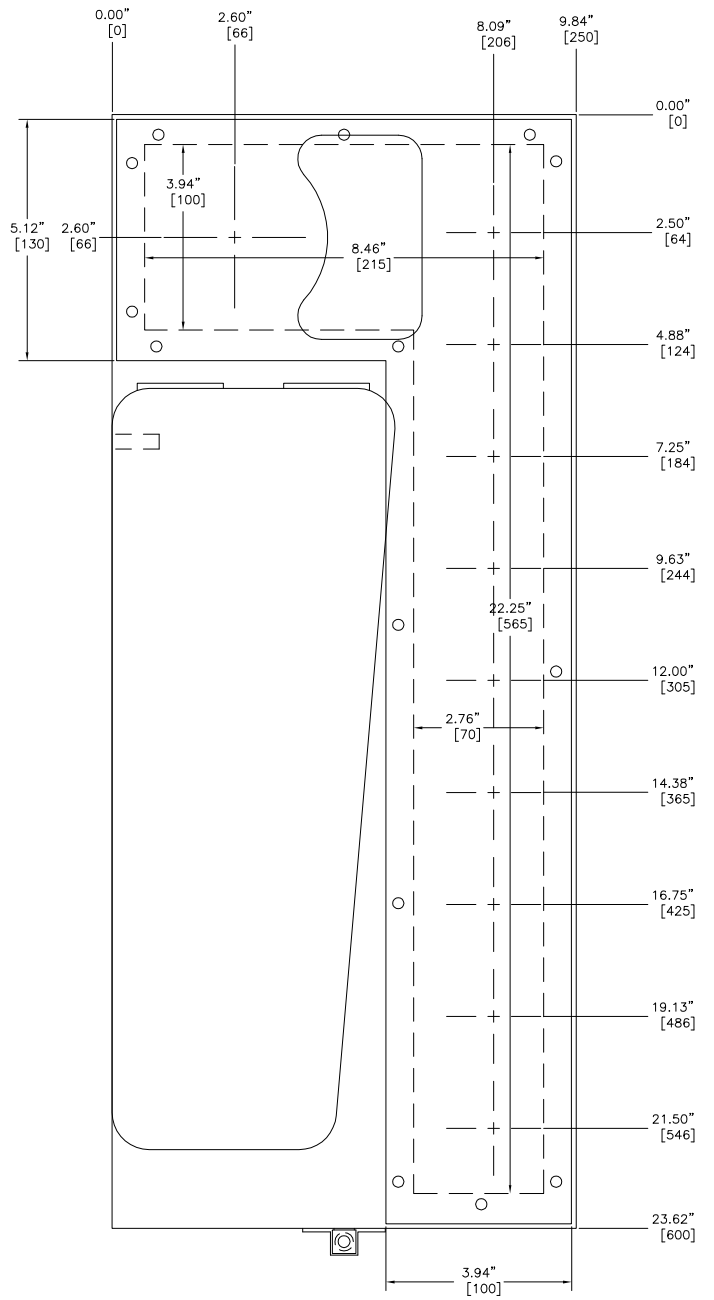
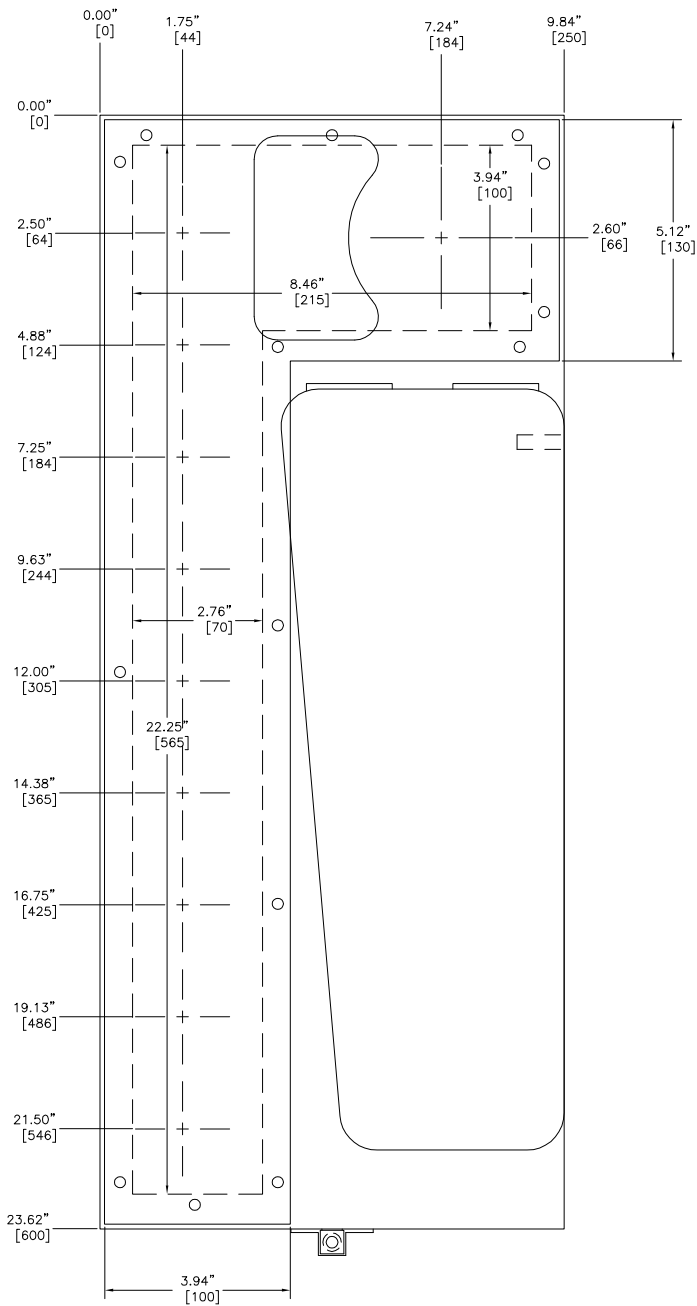
PNEUMATIC
SUSPENSION
SEAT HEIGHT
ADJUSTMENT

ADJUSTABLE
FOOTREST
OPTIONAL

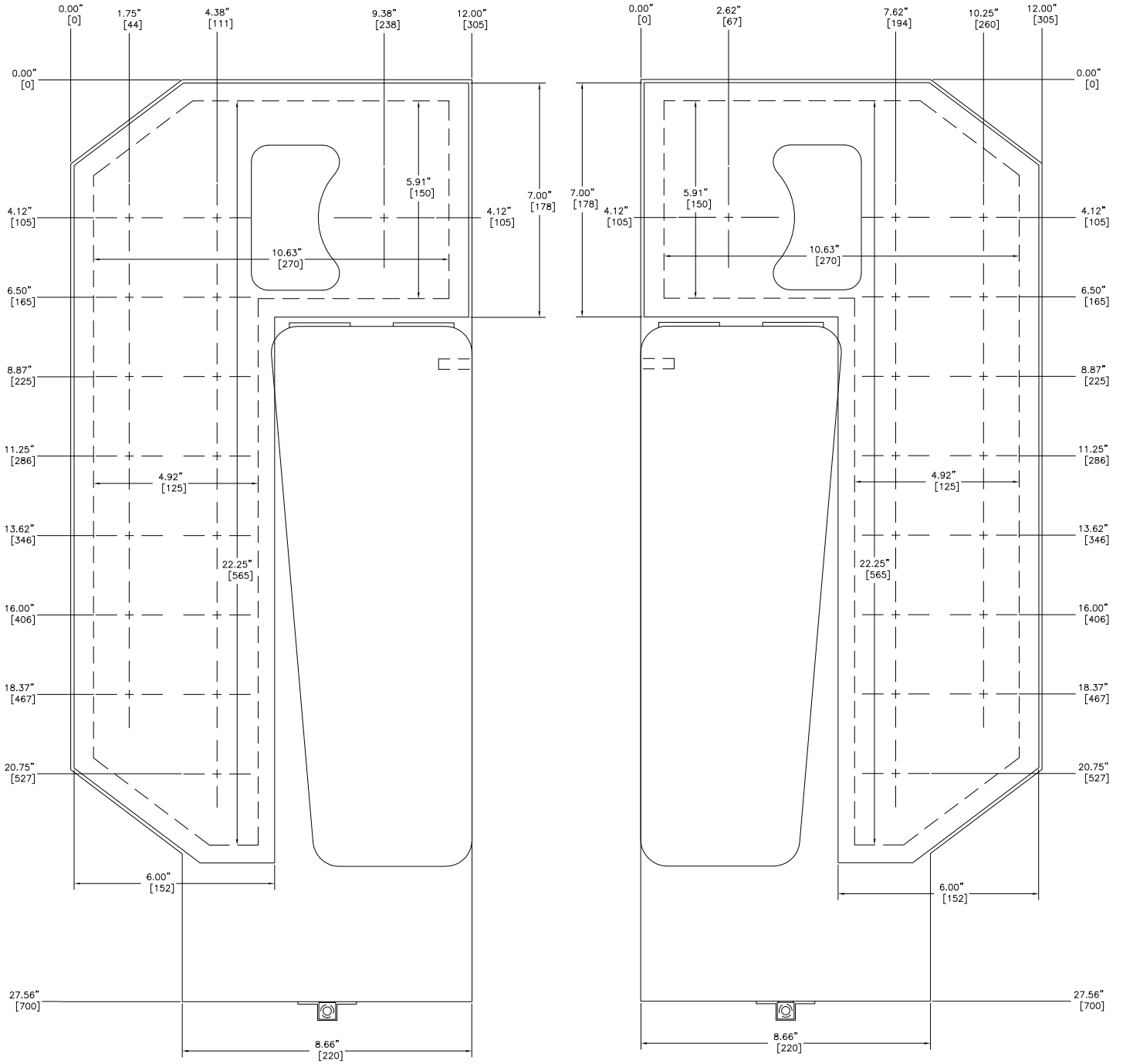
BALL BEARING
ROTATING SYSTEM
(ROTATION 270° MAX)



SPECIFICATIONS 10" CONSOLE



SPECIFICATIONS 12" CONSOLE





NO MATTER WHAT AXIS WE HAVE YOU COVERED

A DEDICATION TO
QUALITY & RELIABILITY

PRODUCTS CUSTOMIZED
FOR YOUR APPLICATION

ENGINEERING SUPPORT THAT
GOES THE EXTRA STEP

WANT MORE
INFORMATION?



VISIT JRMERRITT.COM

- PRODUCT DETAILS AND DRAWINGS
- SPARE PARTS & INSTALLATION INSTRUCTIONS
- NEW PRODUCTS & COMPANY NEWS

1-800-333-5762
PHONE: 203-381-0100 FAX: 203-381-0400
INFO@JRMERRITT.COM WWW.JRMERRITT.COM

55 SPERRY AVENUE
STRATFORD, CT 06615

