

# GRAMMER ACTIMO LEATHER SEAT



Praised for durability and adjustability, the Grammer Actimo seat has become the first choice in industrial, off-highway, mill, construction, agriculture, port, and material handling applications. Available with a range of options as a standalone seat or as a part of a complete operator chair system.

## FEATURES

- Leather Upholstery
- High backrest for optimum back and side support
- Contoured cushion design for increased comfort
- Field replaceable cushions (backrest and seat)
- Document pouch



DESIGNED FOR COMFORT



HIGHLY ADJUSTABLE



BUILT FOR PERFORMANCE

## ADJUSTMENT FEATURES



### BACKREST RECLINE & COLLAPSE

Features 80° backrest recline\* adjustable in 2° increments & the ability to fold forward for transportation and service.



### HORIZONTAL SEAT SLIDE

8" of horizontal forward & backward seat movement. 16" of slide travel available on seat & suspension assemblies.



### LUMBAR SUPPORT

Mechanically controlled lumbar support that adjusts the curvature & height of the backrest cushion.

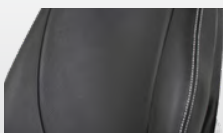


### SEAT CUSHION DEPTH & TILT

Adjusts forward 2.4" in 5 increments. Also tilts 3° - 11° in 4 increments to reduce thigh pressure.



ULTRA -TOUGH



LEATHER UPHOLSTERY

MANUAL WEIGHT ADJUSTMENT UP TO  
**287 LBS**  
130KG

**2.4 IN.**  
60MM OF HEIGHT ADJUSTMENT



### SEAT HEATING

12volts, 7.8 amps 93.6 watts

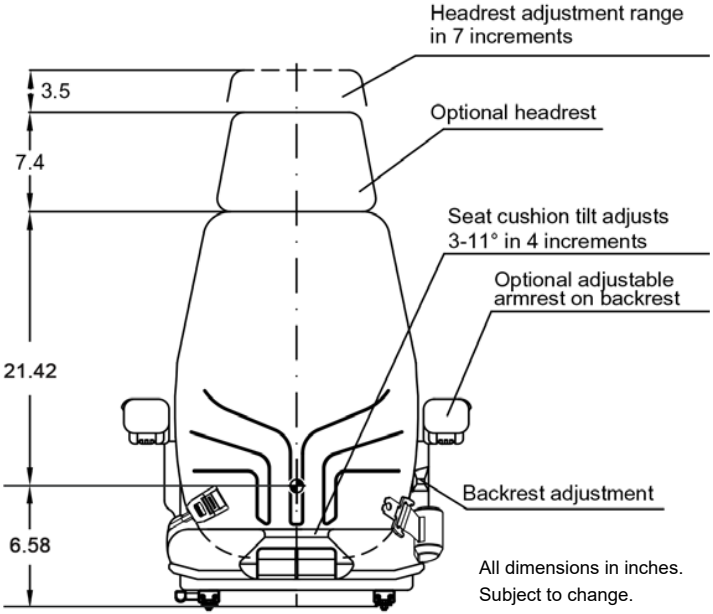
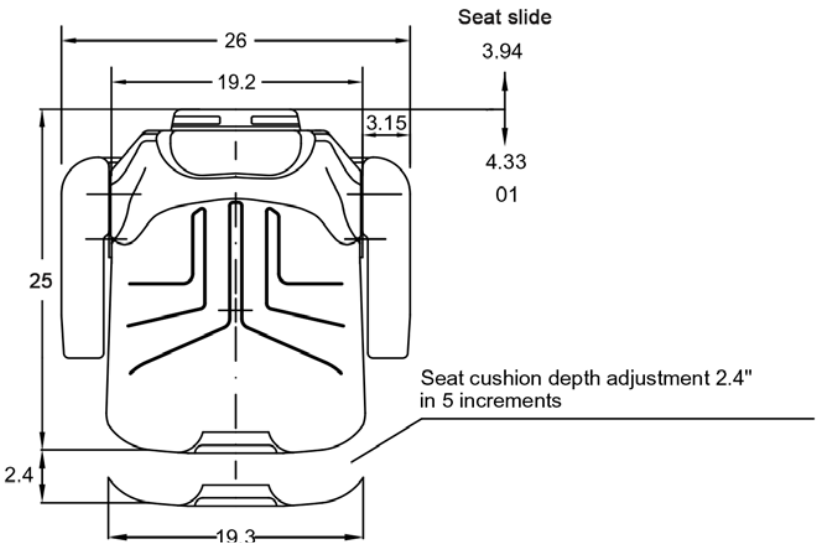


### SEAT COOLING

12volts, .4 amps, 4.8 watts

\*Seats with 4-point harness and 95A (24V) seat assemblies feature limited backrest recline.

# SEAT TOP DIMENSIONS



All dimensions in inches. Subject to change.  
 ◆ SIP (Seat Index Point): Estimated center of hip of user.