

M4 B/B

ULTRA COMPACT BANG / BANG JOYSTICK CONTROLLER

Construction:

The **TYPE M4** compact and light weight finger operated joystick controller features a glass-filled Zytel housing and non-ferrous components making it suitable for corrosive and hostile environments.

1 & 2 Axis control is available as well a handle activated auxiliary functions. Separate and simultaneous handle travel is achieved with standard gate patterns.

Application:

For use in radio control systems and portable consoles. For mobile machinery on and off-highway and for in-plant process control.

Features:

- Ultra-compact and rugged construction
- Environmentally sealed mounting and corrosion resistant components
- Light weight, ultra-strong Zytel housing
- Non-biasing smooth operation with high life compression style spring return
- Single and dual axis operation
- High life V series snap action switches
- 1 N.O. – 1 N.C. each direction

Options:

- Sealed push-button
- Mechanical interlock for non-simultaneous operation
- Cross gate



M4 ORDERING INFORMATION

Drive Arrangement: Single axis and double axis
Basic Assembly: 2.0" [52 mm] Shaft length and boot supplied standard
Handle: 0.8" [20 mm] dia. Round ball
Handle Action: Spring return
Output: Bang / Bang
Output Devices: 11A Snap action switch

M4 TECHNICAL DATA

Mechanical:

- **Mechanical Life:** 20 million cycles
- **Handle Deflection:** $\pm 15^\circ$
- **Gear Ratio:** Direct drive
- **Mounting Footprint:** 1.9" [49mm] x 1.9" [49mm]
- **Mounting Footprint:** 2.7" [69mm] x 2.7" [69mm]
(under panel - not including quick connect terminals)

Environmental:

- **Operating Temperature:** -25 to +70°C
- **Storage temperature:** -40 to +70°C
- **Degree of protection above the panel:** IP54

Electrical:

- **Contacts:** 11A 125, 250 VAC Form C V series snap action switch with .187" quick connect tab
- **Push button (Optional):** Sealed push button, momentary, 1 N.O., 2 A @ 24VDC

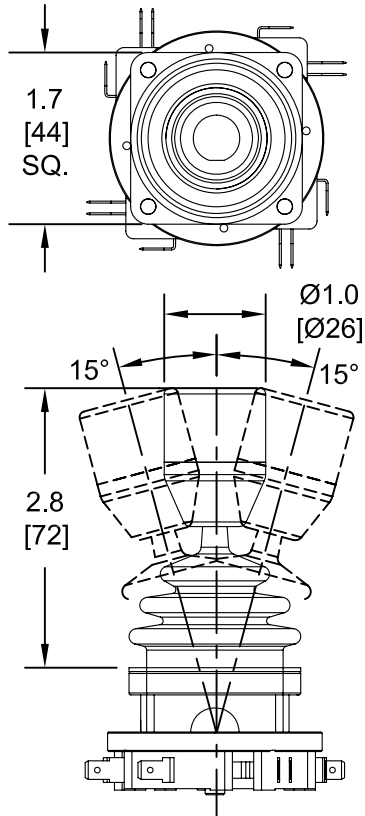
Options:

- **Handle:** Tapered, 2 piece, push button and Mechanical Interlock
- **Gates:** Cross gate

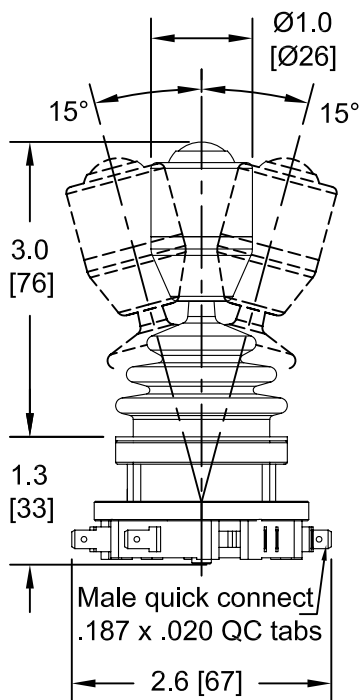
Please consult factory for other available options not listed.

M4 BANG / BANG DIMENSIONS

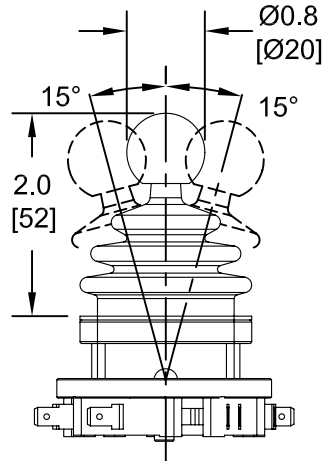
2 PIECE HANDLE



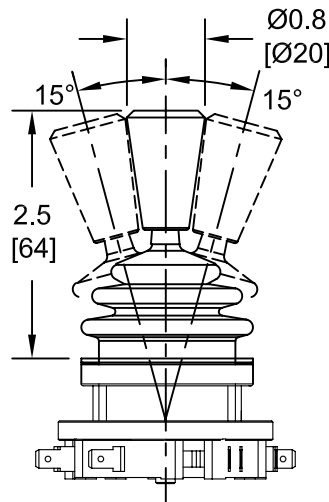
2 PIECE HANDLE & PUSH BUTTON



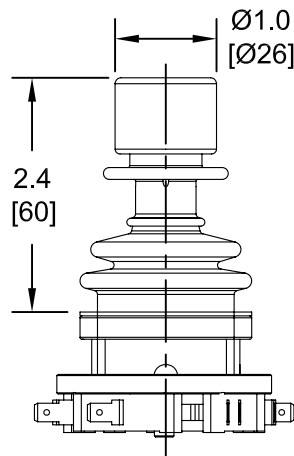
ROUND BALL



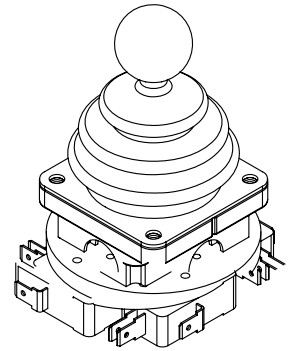
TAPERED KNOB



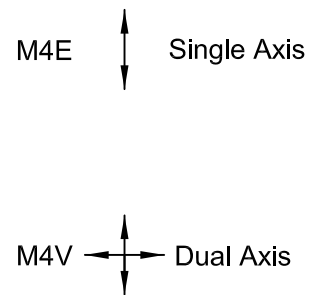
MECHANICAL INTERLOCK



M4 BANG / BANG



ARRANGEMENT



PANEL MOUNTING DIMENSIONS

