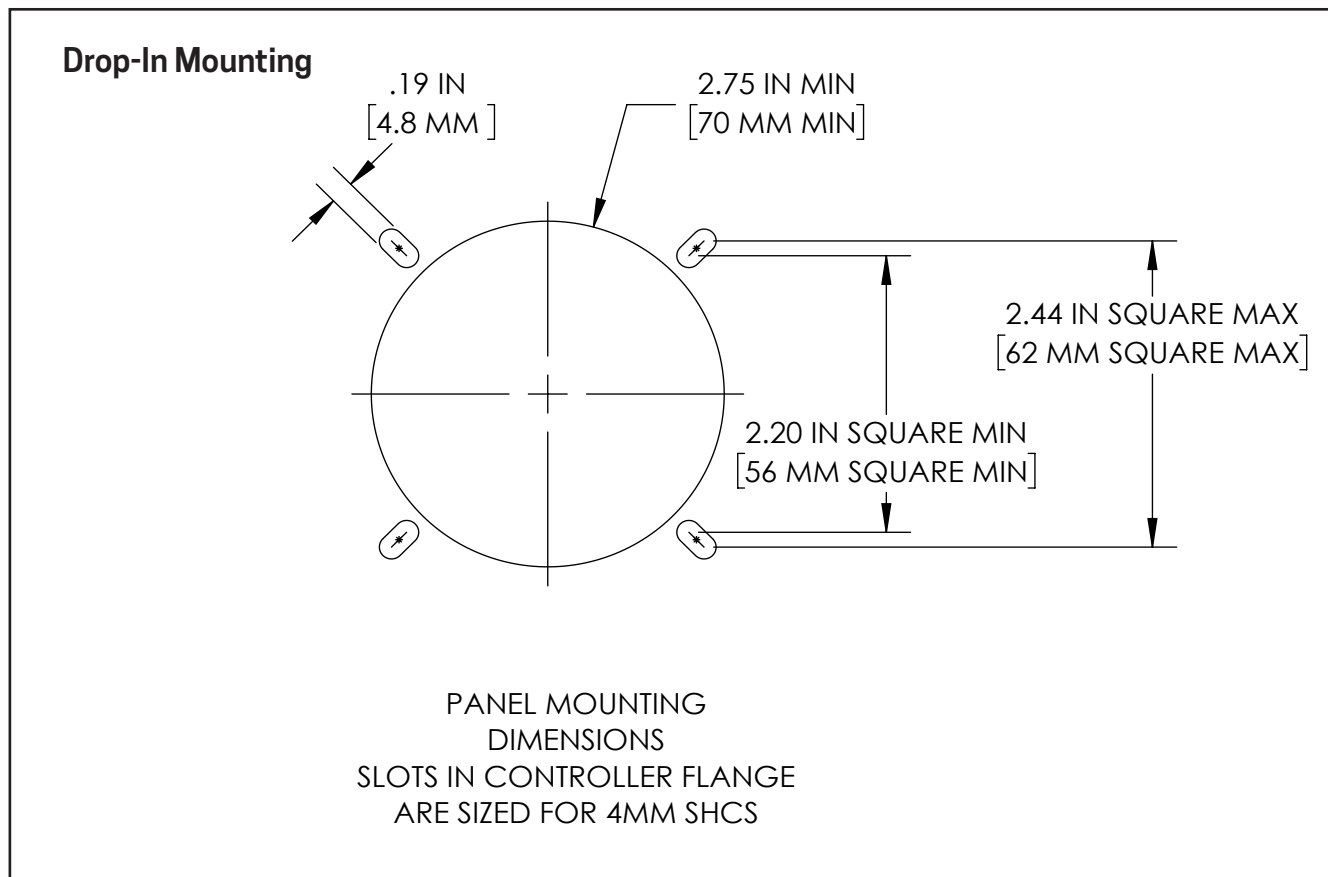


MERRITT EVOLVE INSTALLATION BULLETIN

Installation

Merrit Evolve controller requires a five hole mounting pattern (see panel hole detail below). It is not necessary to remove the operating handle or boot to install the controller.



Standard Connector Details

6-Pin Connector

(DTM04-6P OR ATM04-6P)

Pin	Connector	Color
Pin 1	Ground	Black
Pin 2	Power 9..32VDC	Red
Pin 3	CAN H	White
Pin 4	CAN L	Green
Pin 5	Shield	

4-Pin Connector

(DTM04-4P OR ATM04-4P)

Pin	Connector	Color
Pin 1	Ground	Black
Pin 2	Power 9..32VDC	Red
Pin 3	CAN H	White
Pin 4	CAN L	Green

MERRITT EVOLVE INSTALLATION BULLETIN



Important

- Disconnect all power prior to servicing the controller.
- Immediately report any abnormal operation characteristics of the controller to the proper authority. Do not continue to operate the equipment until the problem is resolved.

Description

The Merritt Evolve is a rugged, compact device that offers excellent application versatility.

General Care

Access to the controller should be comfortable and unobstructed. Care should also be taken in console and cab and design to **AVOID LOCATIONS:**

- Where inadvertent operation is possible.
- Where the operator is able to apply an excessive amount of force to the control lever.
- Where the control handle could be used as a means of supporting entrance and exit from the equipment.
- Where hand and knuckle clearance is limited.
- Handle is not protected by guardian in portable consoles or where inadvertent operation will cause an unsafe condition.

Service

- Inspect for torn or damaged boots and replace them immediately.
- Check mounting bolts for tightness.

Handle Operated Functions

The maximum allowable voltage for a wired handle is 30 Volts. Wired handles require that wires pass through the steel operating shaft.

Disclaimer

The customer is responsible for meeting OSHA compliance of deadman safety devices, providing operator safety and proper equipment use training and for maintaining the equipment and controls in a safe working condition. Customer to agree identify and hold J.R. Merritt controls, Inc. harmless and defend at its expense, all claims and suits asserted or brought against J.R. Merritt Controls, Inc. due to the absence, removal, tampering, improper installation or improper use of this equipment and associated deadman safety devices.