

MERRITT EVOLVE

Designed to adapt to and excel in virtually any equipment application, the Merritt Evolve model joystick offers a new benchmark in customization. Available with a J1939, CANOpen or hall-effect output, the Evolve can be configured to a broad range of machinery and operations.



CONFIGURABLE TO ANY APPLICATION

Boasting a new performance-driven handle design with individually configurable front and rear deviceplates, the joystick can be tailored to fit the unique needs of any application.



BUILT TO PERFORM

Building on the same design principles as our ultra rugged, mill duty joysticks, the Merritt Evolve maintains the robust quality that J.R. Merritt is known for and is made to withstand a variety of working environments.

FEATURES & OPTIONS

- Single or dual axis operation
- Smooth spring return action with light, medium light, medium heavy or heavy tension
- Contactless 3D hall effect technology
- J1939, CANOpen or hall effect output
- Sleek design with canister on bottom
- Drop-in mounting for easy installation

J.R. MERRITT
CONTROLS 



OPTIONS

HANDLES

XG1 MULTI-FUNCTION HANDLE

Designed around comfort and performance, the XG1 handle is ideal for left-hand or right-hand operating applications.



Contoured or flat faceplate customizable with a range of devices and functions.



XG1

Optional thumbwheel and up to two push buttons on rear of handle.

Integrated handrest for increased operator comfort

ADDITIONAL HANDLE OPTIONS



OPERATION

SPRING RETURN

Smooth spring return action with different tension options for application optimization. Available with:

- Light
- Medium Light
- Medium Heavy
- Heavy



HANDLE TRAVEL

Unrestricted or guided handle travel.



Open Gate

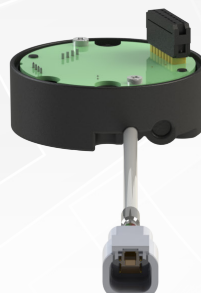


Cross Gate

ELECTRONICS

CANBUS

Standard and custom CAN protocols available with the ability to program in the field.



CONNECTOR

Harness length and output connector customizable and easily replaced.

DIMENSIONS

MERRITT
EVOLVE



Specifications

Mechanical Life

20 million life cycles

Handle Travel

±20 degrees

Standard Shaft

0.40 in [10mm] diameter
Fits up to 12 wires

Resistance to Force

175+ lbs

IP Rating

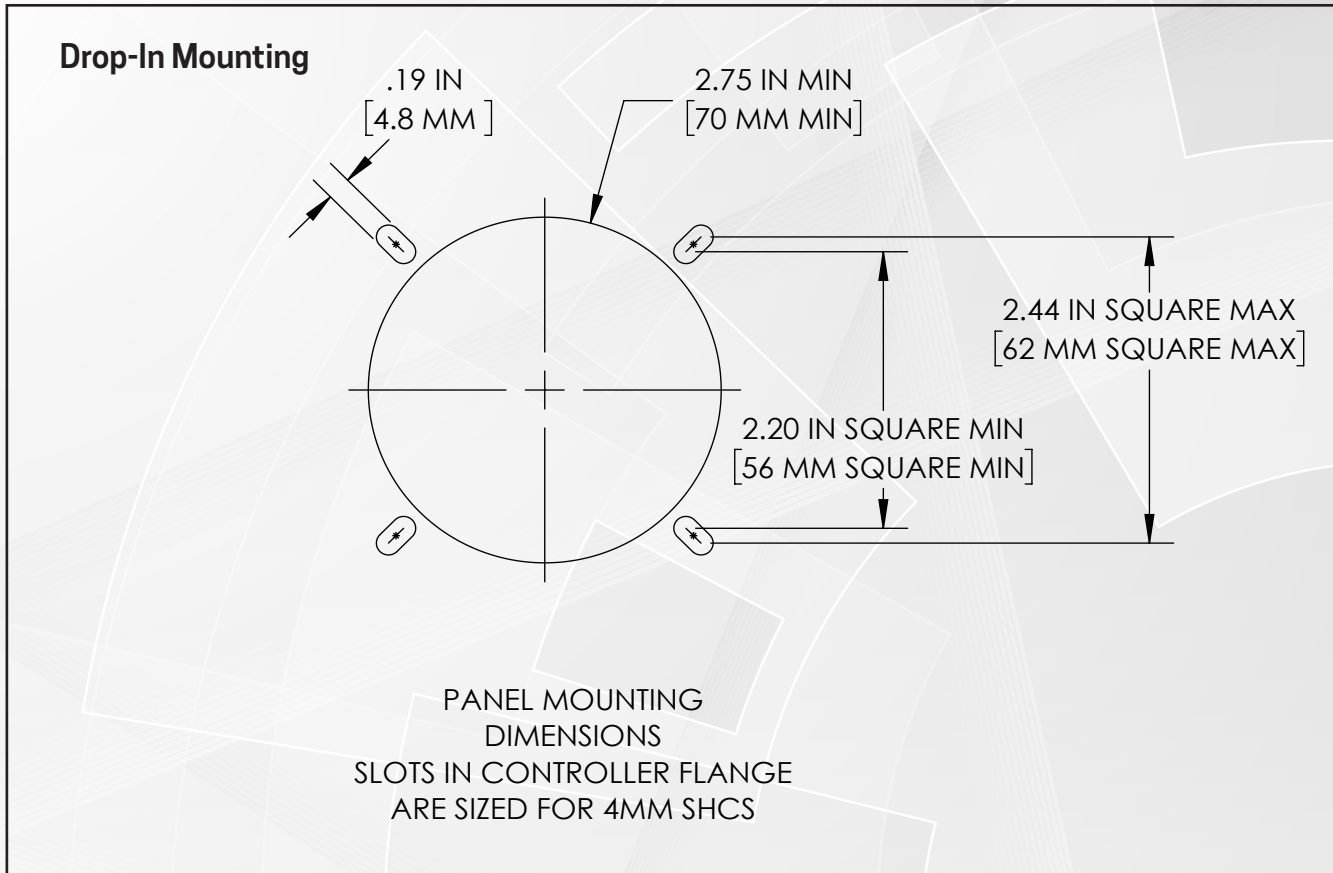
IP54*

*IP rating dependent on handle

INSTALLATION DETAILS

Installation

Merrit Evolve controller requires a five hole mounting pattern (see panel hole detail below). It is not necessary to remove the operating handle or boot to install the controller.



Standard Connector Details

6-Pin Connector

(DTM04-6P OR ATM04-6P)

Pin	Connector	Color
Pin 1	Ground	Black
Pin 2	Power 9..32VDC	Red
Pin 3	CAN H	White
Pin 4	CAN L	Green
Pin 5	Shield	

4-Pin Connector

(DTM04-4P OR ATM04-4P)

Pin	Connector	Color
Pin 1	Ground	Black
Pin 2	Power 9..32VDC	Red
Pin 3	CAN H	White
Pin 4	CAN L	Green

CAN SPECIFICATIONS

MERRITT
EVOLVE

Electrical Details

Supply Voltage(Vcc)

9 to 36 Volts DC

Absolute Maximum

36 Volts

Supply Current

50 - 100 mA (typ.) 200 mA (max.)

Supply Input

Reverse Polarity Protected

Analog / Digital Inputs

-0.5 mA (10K resistor, 5V source)

Maximum Baud Rate

1Mbps (250kbps default)

Environmental

Operating Temperature

-40° to +140° F [-40° to +60° C]

Storage Temperature

-40° to +176° F [-40° to +80° C]

Sealing

Silicone conformal coating

Diagnostics

Diagnostic LEDs

One (1) Power LED and One (1) Status LED

Normal Operation

Power LED lit indicates 5V power

Status LED blink once per second

Error

Status LED will blink ten times per second

Connection

Connector

Standard 22 AWG harness 18" with

Deutsch DTMO4-6P connector

Other connectors available upon request

J1939

Generic Interface

SAE J1939 71 Standard for joystick

Source Addresses: 0x01 - 0xFE (1 to 254

decimal)Priority: 3

Basic Joystick Message 1 (BJM1)

Base PGN: 0xFDD6

X - 3D Hall Analog

Y - 3D Hall Analog

Extended Joystick Message 1 (EJM1)

Base PGN: 0xFDD7

3 Analog Inputs (Thumbwheels)

Lamp Command

4 low-power outputs

Inputs / Outputs

Standard 2 analog joystick inputs (X/Y)

Up to 14 digital inputs

Up to 4 digital outputs*

Up to 8 additional analog inputs*

* Replacing digital inputs

CANopen

CANopen Device Profile

DS301, DS401, V3.0 6/08

Terminal Resistance

120R Removable

Basic messaging

X - 3D Hall Analog

Y - 3D Hall Analog

8 Digital Inputs

Extended messaging

8 Analog Inputs

Lamp command

4 low-power outputs

Inputs / Outputs

Standard 2 analog joystick inputs (X/Y)

Up to 14 digital inputs

Up to 4 digital outputs*

Up to 8 additional analog inputs*

* Replacing digital inputs

Node ID

0x01- 0x7F

Axis & Digital Inputs

181h (180h + Node ID)

Analog Inputs

281h (280h + Node ID)

Digital Outputs

201h (200h + Node ID)

Heartbeat (500ms):

720h (700h + Node ID)

Analog Resolution

8-bit

Network Management

Auto start enabled

HALL-EFFECT SPECIFICATIONS

MERRITT
EVOLVE

Single 5V (Standard)

Standard

Supply Voltage: 4.5-5.5 VDC

Output Voltage

Ratiometric 0.5 - 2.5 - 4.5 V ± 0.15 V
@ 5.0 V Supply

Output Current:

10mA

Power Consumption

7 mA typical
(5 - 10 mA max)

7-30 VDC

Supply Voltage

7-30 VDC

Output Voltage

0.5 - 2.5 - 4.5 V ± 0.15 V

Redundent*

Supply Voltage

4.5 - 5.5 VDC

Output Voltage

Redundant - Ratiometric
0.5 - 2.5 - 4.5V ± 0.15 V
complimentary or identical
@ 5.0V supply

Redundent Reversed*

Supply Voltage

4.5 - 5.5 VDC

Output Voltage

Redundant - Ratiometric
0.5 - 2.5 - 4.5V ± 0.15 V
complimentary or identical
@ 5.0V supply

Connection

Connector

Standard 22 AWG harness 18" with
Deutsch DTM04-6P connector
Other connectors available upon request

Environmental

Mechanical Operating Temperature

-40° to +176° F [-40° to +80° C]

Electronic Operating Temperature

-40° to +158° F [-40° to +70° C]

Storage Temperature

-58° to +194° F [-50° to +90° C]

EMC Emissions

Complies with EN61000-6-4:2007; Class
A Group 1, 80- 1000MHz

EMC Immunity

Complies with EN61000-6-2:2005
expanded to include: RFI Immunity of
100V/M @80 - 1000 MHz ESDImmunity
of 15 Kv air, 8 Kv contact