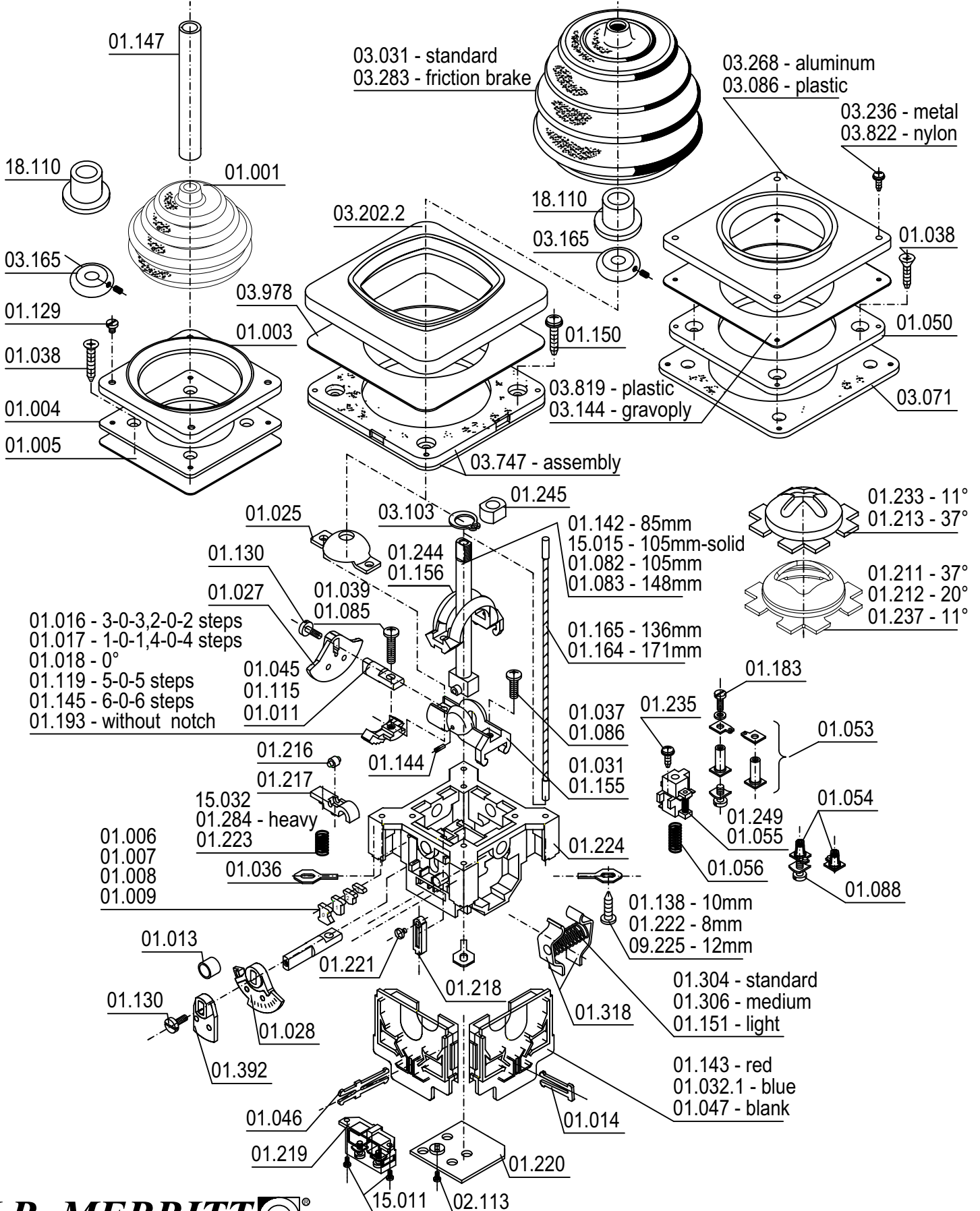


VCSO SPARE PARTS

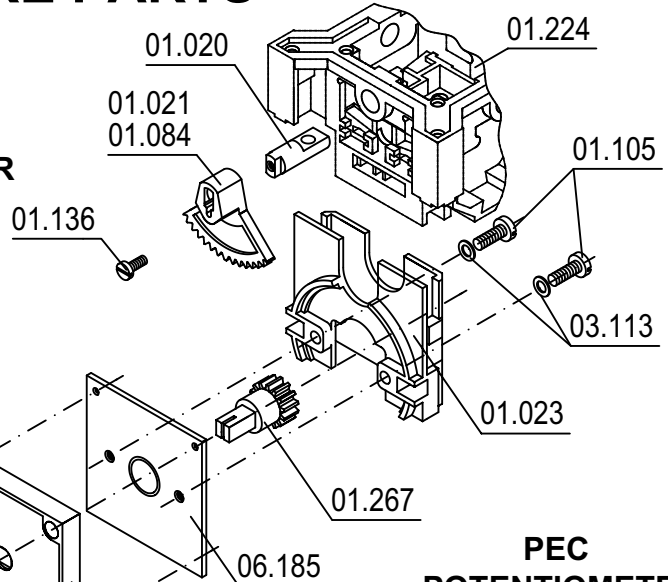


J.R. MERRITT
CONTROLS, INC.

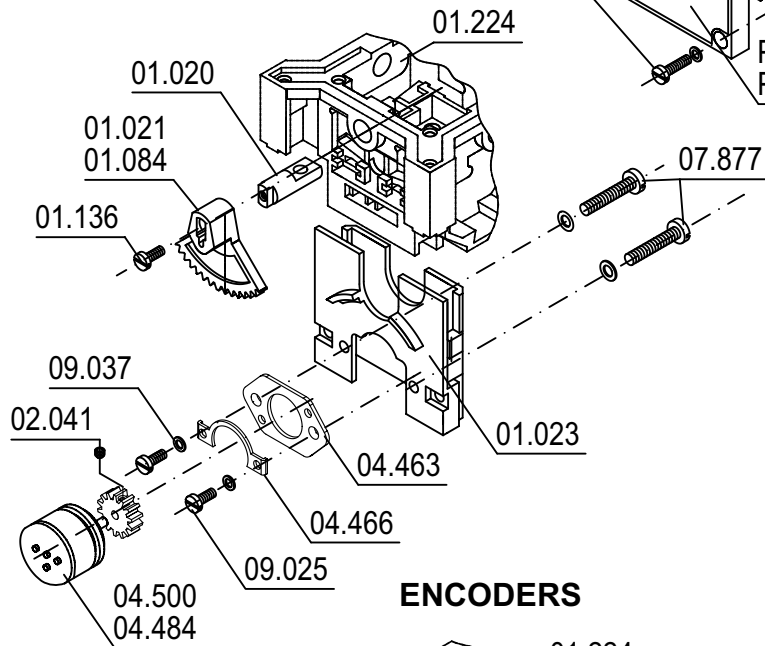
Stratford, CT • 1-800-333-5762 • www.jrmerritt.com

VCSO SPARE PARTS

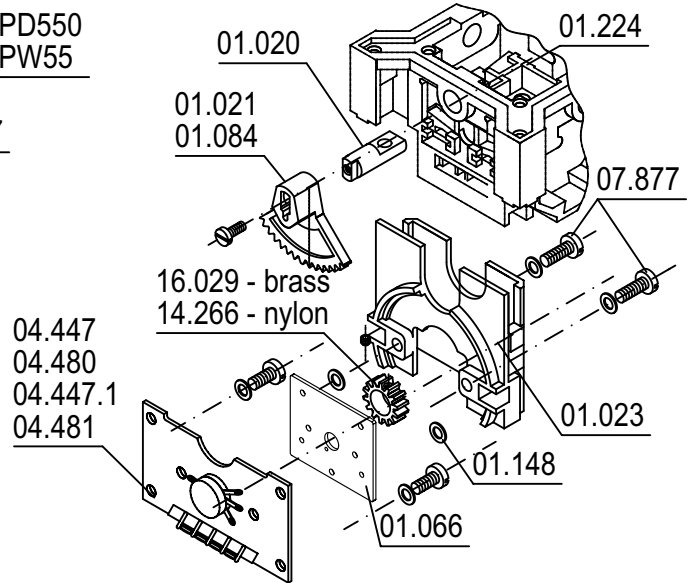
PD/PW55 POTENTIOMETER



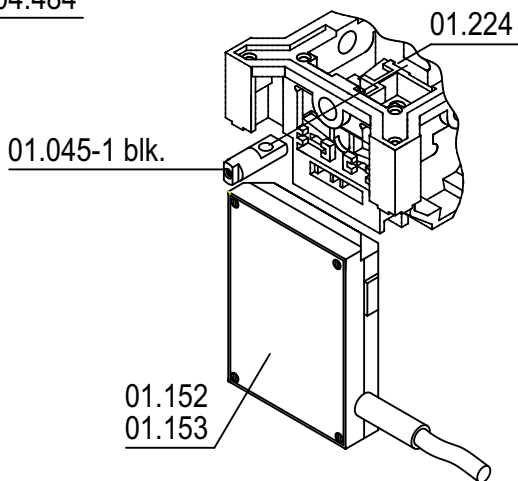
BI POTENTIOMETER



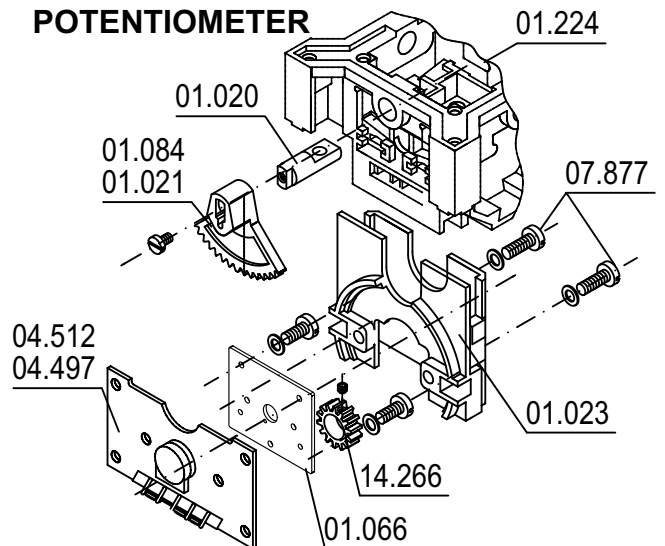
PEC POTENTIOMETER



ENCODERS

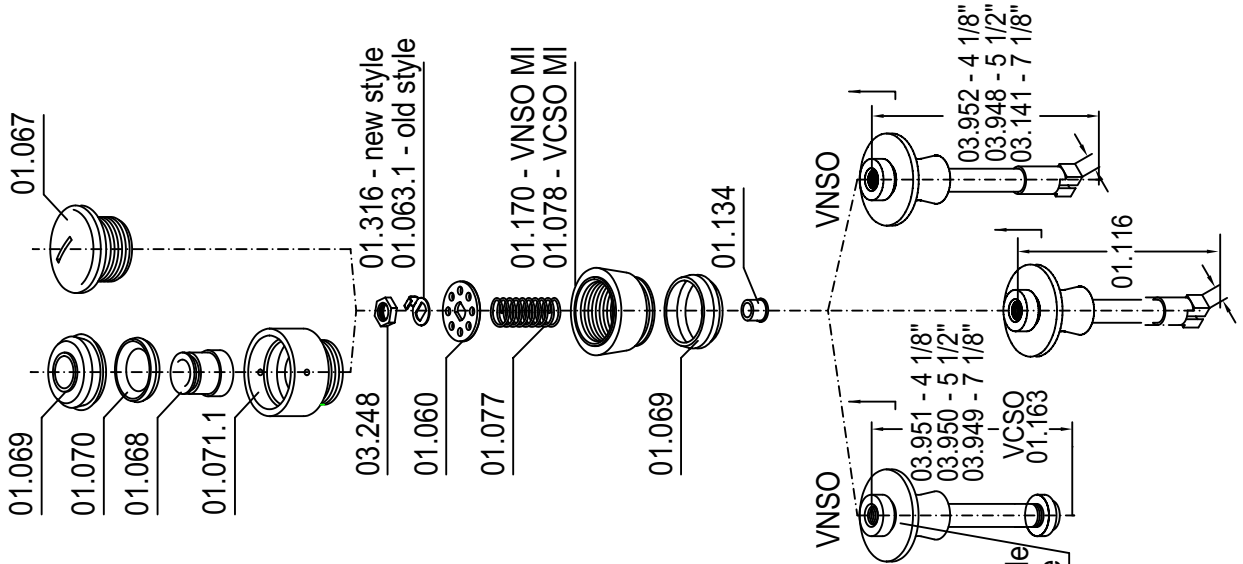


CLAROSTAT POTENTIOMETER

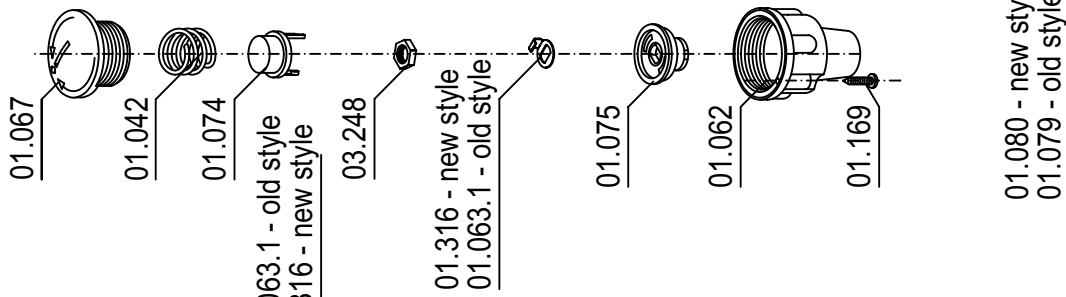


VCSO HANDLE SPARE PARTS

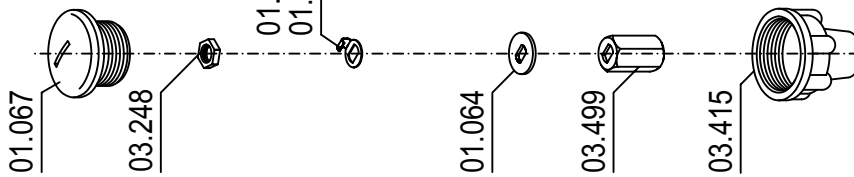
MECHANICAL INTERLOCK
WITHOUT
PUSH-BUTTON



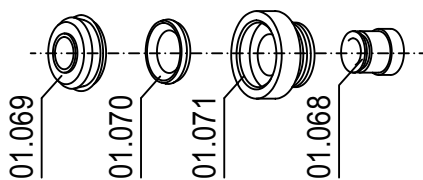
TWIST



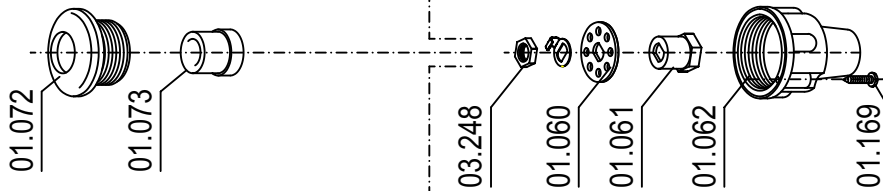
PUSH-DOWN
DEADMAN



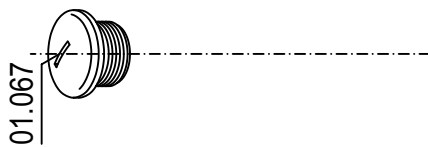
HD
WATERPROOF
PUSH-BUTTON



EXTENDED
PUSH-BUTTON



STANDARD
WITHOUT
PUSH-BUTTON



01.166 - Kit, HDU push-button-assembled
01.167 - Kit, HDV push-button-assembled

VCSO Spare Parts List

item_no	item_desc_1	item_desc_2
01.001	Boot, Rubber, Small ++	V040KE2
01.003	Nameplate, Black Alum, 72x72 +	V0044
01.004	Plate, Mounting Aluminum 72x72	V0028R ++
01.005	Gasket, Rubber 72 x 72	V0028A
01.006	Stop, 0 degree detent	CSO32-0
01.007	Stop, 1-0-1 detent	CSO32-1
01.008	Stop, 2-0-2 detent	CSO32-2
01.009	Stop, 3-0-3 detent	CSO32-3
01.011	Shaft, Cam, CSO, Brass 3 block	CSO02-3 ++
01.013	Spacer, CSO ++	CSO02R
01.014	Clip, Contact-2 blks	CSO22-2
01.016	Detent, 2-0-2, 3-0-3 Steps ++	CSO68
01.017	Detent, 1-0-1, 4-0-4 steps ++	CSO64
01.018	Detent, 0 Degree ++	CSO64P1
01.020	Shaft, Pot ++	CSO01P
01.021	Gear, Pot Drive ++	CSO66
01.023	Pot Mounting Box, VCSO, 2	CSO71F ++
01.025	Retainer, Yoke, single axis	A10.101.1382 R04
01.027	Cam, Blank, CSO	CSO61
01.028	Cam, Gear Red (2 pieces)	CSO61-4/4A
01.031	Yoke, Operating CSOE V ++	CSO63
01.036	Clamp, Body ++	CS005
01.037	Screw, Yoke Spring return dbl	DIN 7985 AM4x10 20606
01.038	Screw, Mtg Alum, Phil flat PT	zinc KB40x16 WN1413 (BAG/200)
01.039	Screw, M4x15	DIN 7985 AM4x15 20607
01.042	Spring, Twist	CSOZ5
01.045	Shaft, Cam, CSO, Brass 1 block	CSO02-1 ++
01.046	Clip, Contact-3 blks	CSO22-3
01.047	Contact Block, CSO Blank	CSO71BL
01.050	Plate, Mtg Universal VCSO	A10.101.5443 R04
01.053	Contact, Aux, NC, Left	CS009K - per request only
01.054	Contact, Aux, NO	CSO08K
01.055	Shuttle, Pushbutton, VCSO 1NO	CSO41U ++
01.056	Spring, Aux Contact NS2 Flex	Shaft (2 required) CSO26B
01.060	Spacer, Handle	NSOES3B
01.061	Bushing, Handle	NSOES2
01.062	Cap, Lower Normal	NSOES41D
01.064	Spacer, T VNSO	NSOES3BK
01.066	Pot Plate, Steel, tapped holes	A10.101.1023 R05 CSO71FC
01.067	Cap, Normal ++	NSOES42
01.068	Actuator, HD ++	NSOES15M
01.069	Seal, Rubber HD Flush/Sealed++	NSOES42M

VCSO Spare Parts List

item_no	item_desc_1	item_desc_2
01.070	Ring, HD Brass sealing ++	NSOES42S
01.071	Cap, HD (Flush) ++	NSOES42-10 13281
01.072	Cap, H Pushbutton	NSOES42H A15.101.6845 R01
01.073	Actuator, H	NSOES15
01.074	Cap, Twist	NSOES41N
01.075	Adapter, Twist shaft	NSOES41T
01.077	Spring, Mech Interlock	CSOZ6
01.078	Handle, base, VCSO MI ++	NSOES41WZ
01.079	Collar, Operating-MI (oldstyle)	NSOESM1-40M10 X .75 Thread
01.080	Collar, Operating MI new ++	NSOESM1-40M10x1.0 thread
01.082	Shaft, Operating 105mm ++	CSO41A-105
01.083	Shaft, Operating 140mm ++	CSO41A-140
01.084	Gear, Pot Drive, Friction brake	B15.101.6891 R01
01.085	Screw, Detent, single axis	M4x18 DIN 7985 (BAG/200)
01.086	Screw, Yoke Spring return sngl	DIN 7985 M4x14mm
01.088	Clamp, Screw Saddle-Aux ++	Cont
01.105	Screw, PPHMS M4x8	DIN 7985 Steel Zinc
01.115	Shaft, Cam, CSO, Brass 2 block	C50.101.1777 R05
01.116	Tube, MI, CSO in Yoke 110mm	CSO24Z-80
01.119	Detent, 5-0-5 Steps	CSO61-5
01.129	Screw, Nameplate Alum Mtg	M3x4mm DIN 85 (BAG/200)
01.130	Screw, Cam New Style	M3X6 Din 921
01.134	Bushing, Boot MI (new)	V027ZA
01.136	Screw, Gear	M3x6 DIN 85 (BAG/200)
01.138	Screw, Body-CSO ++	KB40x10 WN1412
01.142	Shaft, Operating 85mm ++	CSO41A-85
01.143	Contact Block, Red CSO	CSO71BR (new style)
01.144	Pin, Yoke	M2x6 DIN 1472 (BAG/500)
01.145	Detent, 6-0-6 Steps	CSO61-6
01.147	Insulator, Shaft, VCSO sleeve	OD10.3x43.80mm ++
01.148	Washer, Gray Fiber, W10370	.375 x .148 x .060
01.150	Screw, Mounting Plastic	KB40 x 16-WN1411
01.151	Spring Return, Light VCSO/CS1	CSO-36-d1.2-L36-n9
01.152	Encoder, VCSO	0GF6G w/2m 5 pole ext cable
01.153	Encoder, OEG420I/4-20MA ++	w/ 2m extension cable
01.155	Yoke, Operating MI CSOV	CSO63Z A50.101.6941 R01
01.156	Yoke, Crossover MI CSOV	CSO62Z A50.101.6944 R01
01.163	Tube, MI, CSO in Gate 62mm	CSO25KZ-62
01.164	Shaft, Flex CSO, 171mm	A80.101.7742 R00
01.165	Shaft, Flex CSO, 136mm	A80.101.7742 R00
01.166	Pushbutton, HDU	NSOES42-10
01.167	Pushbutton, HDV	NSOES42-20

VCSO Spare Parts List

item_no	item_desc_1	item_desc_2
01.169	Screw, Handle M2.9x16	DIN7981 C (BAG/100)
01.170	Handle, base, VNSO MI ++	NSO41K
01.183	Screw, Aux Contact Block (2)	M3.5 X 6 DIN 84
01.193	Detent, Without Notch ++	CSO64POR
01.211	Gate, Open, VCSO, 37 Degree ++	VCSO42AK37
01.212	Gate, Open, VCSO, 20 Degree +	VCSO42AK20
01.213	Gate, Cross, VCSO ++	VCSO42K
01.216	Roller, Detent, VCSO/CS1 ++	VCSO13R
01.217	Arm, Detent, VCSO/CS1 Detent++	CSO13R
01.218	Shuttle, Off Point, VCSO	CSO31N
01.219	Contact, Off Point, VCSO	CSO81N
01.220	Cover, Contact Block, VCSO	CSO81D
01.221	Pin, Off Point, VCSO	CSO04A
01.222	Screw, Body, VCSO ++	KA40x8 WN1412 (BAG/200)
01.223	Spring, Detent CS1/VCSO ++	VCSO13FLA
01.224	Body, VCSO	VCSO81A vi
01.233	Gate, Cross, VCSO, 15 Deg +	VCSO42K15
01.235	Screw, PT Pan Head	WN-1412 KA35x8 (BAG/100)
01.237	Gate, Open, VSCO, 11 Degrees++	
01.244	Yoke, Crossover, VCSO ++	VCSO62AG
01.245	Block, Guide-VCSO-Steel ++	VCSO62G
01.249	Shuttle, Pushbutton, 1NO/1NC	VCSO CSO41U
01.267	Gear, VCSO for PD550	CSO71ZPW
01.284	Spring, Detent Heavy VCSO ++	VCSO13FL
01.304	Spring Return, Std VCSO/CS1 ++	CSO-36-d1.4-L36-n9
01.306	Spring Return, medium VCSO/CS1	CSO-36-d1.3-l36-n9
01.316	Washer, handle NSO (new style)	NSO ES106
01.318	Arm, Spring return VCSO (new)	CSORH-1 A15.101.6975 R00
01.392	Cam, Directional, White CS1 ++	CSO61A-CS1
02.041	Screw, Set, Pot Gear	Din916 M3x4
02.113	Screw, PT Pan Head KA25x7	WN-1411 KA25x7
03.031	Boot, Rubber, Black, VO41N	VO41N replaces 03.031.1 ++
03.071	Gasket, Rubber 96 x 96	IDV006Z SK1107DH-REV01
03.086	Nameplate, Plastic, Screw-on	96 x 96mm VO48K
03.103	Clip, E-Shaft Grip Ring ++	A8 Size 10055-03338 (BAG/200)
03.113	Washer, Rib M4	S4 4mm 1000/bag
03.141	Tube, MI 7-1/8 in Yoke	VNSO24Z-142
03.144	Insert, Gravoply- PI Nameplate	A10.101.1446 Rev02
03.165	Bushing, Boot	NSO ES5H
03.236	Screw, PPHMS M3x8	DIN 7985 Steel Zinc (BAG/200)
03.248	Nut, Jam, M8x1mm ++vi	NSO34M8x1
03.268	Nameplate, Black Alum, 96x96 +	V048AL63

VCSO Spare Parts List

item_no	item_desc_1	item_desc_2
03.283	Boot, Rubber, Friction Brake	VO41K
03.362	Screw, RH Handle	M3x12 mm DIN 84
03.415	Cap, Lower T	NSOES41
03.499	Shaft Adapter, VNSO Pushdown	Assy.
03.747	Plate, Mtg Plastic w/gasket	96x96
03.819	Insert, Plastic Screw on plate	IDV006F
03.822	Screw, Nylon M3x5mm ++	DIN 7985
03.948	Tube, MI, 5-1/2" in Yoke	VNSO24Z-108
03.949	Tube, MI, 7-1/8 in gate	VNSO25KZ-117
03.950	Tube, MI, 5-1/2 in Gate	VNSO25KZ-83
03.951	Tube, MI, 4 1/8 in Yoke	VNSO24Z-70
03.952	Tube, MI, 4-1/8 in Gate	VNSO25KZ-47
03.978	Insert, Thin, Plastic Snap-On	NP VNSO A15.101.6803 R00
04.447	Pot Board, PEC 10K 3 wire	TB installed and wired
04.463	Plate, Pot Mounting Adaptor	A10.101.4460 R02
04.466	Clamp, PL310 Mounting	A50.101.4870 Rev02
04.480	Pot Board, PEC 10KCT pot TB	installed and wired
04.481	Pot Board, PEC 5KCT Pot TB	installed and wired
04.484	Pot, BI Tech, 10K 4 wire servo	mtg 6143-6 A20.5201 R06 +
04.497	Pot Board, Clarostat 10KCT	Pot TB installed and wired
04.500	Pot, BI Tech, 5K 3 wire, servo	mtg with wires A20.101.5332
04.512	Pot Board, Clarostat 5K 3 wire	PRO4, TB installed and wired
06.185	Plate, Shaft Bushing-Brass	54 x 54mm PD550
07.877	Screw, Pot Board Mtg Sems 6/32	x1/2, PPI 6C50XPI0Z (BAG/100)
09.025	Screw, 6/32 X 1/4 P.P.H.M.S	(BAG/200)
09.037	Washer, 6 Internal Tooth Lock	
09.225	Screw, Body, VCSO	KA40x12 WN1412
14.266	Gear, Slave, sleeve assy, PRO4	VCSO A80.101.6433 R03
15.011	Screw, Pot Plate Mounting, CS1	KA30x6 WN1412 (BAG/200)
15.015	Shaft, Operating, CS1 105mm ++	CSO41V-101
16.029	Gear, Pot, PRO-6	A50.101.6180 R04
18.110	Bushing, Boot, Brass, 9mm	A15.101.6356 R02
01.032.1	Contact Block, Dbl Normal-CSO	CSO71-B(new style)
01.063.1	Washer, Rib M8	S8 (BAG/200)
01.071.1	Cap, HDV (recessed) ++	NSOES42-20 13282
03.202.2	Nameplate, Plastic, Snap-on vi	VO48K3
04.447.1	Pot Board, PEC 5K 3 wire TB	installed and wired