

## FP1 FOOT PEDAL

FP1 Foot pedals feature rugged sealed construction and are suitable for providing precise control in high duty cycle applications.



## SPECIFICATIONS

### GENERAL DATA

Type	Proportional
Output Options	Contacts & Potentiometer
Pedal Travel	25 degrees
Life	10 million cycles
Materials	Rugged cast aluminum construction & brass bearings.
Size	11.2" x 5.12" x 7.30"
Est Weight	6.25 lbs
Est. Shipping Weight	8 lbs.
Est. Shipping Dimensions	10 in. x 10 in. x 10 in.

### ENVIRONMENTAL DATA

IP Rating	IP66
Operating Temperature	-13 to +158 degrees F [-25 to +70 degrees C]

## ELECTRICAL DATA

Switch Type:  
Double Pole Snap-In Contact Blocks

Max. Number:  
Up to 3 contact blocks

Max. Switching Capacity:  
Making - 100 amps Breaking - (0.7PF) 240V 80 amps

Contact Specifications Rating (AC):  
Continuous 16 amps @ 240V  
Resistive 8 amps @ 240V  
Inductive 6 amps @ 240V

Termination:  
Captive Saddle Clamp

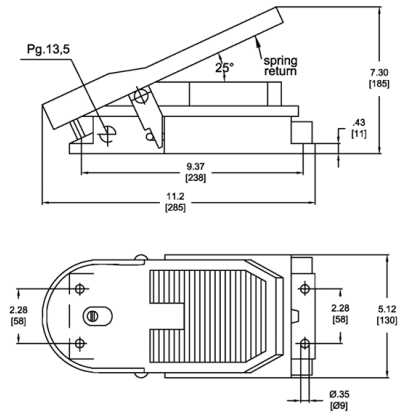
Max. Wire Size:  
12 AWG

Additional Specifications Reference product literature for additional specifications

# Technical Drawings

## Dimensional

All dimensions in inches [mm] and are subject to change.



FP1 Overall Dimensions