

## FP6 FOOT PEDAL

FP6 Foot Pedals are suitable for industrial environments where precise speed control is desired.



## SPECIFICATIONS

### GENERAL DATA

Type	Proportional
Output Options	Contacts & Potentiometer
Pedal Travel	23 degrees
Life	5 million cycles
Materials	Powder-coated aluminum housing.
Size	7.48" x 4" x 4.92"
Est Weight	2.75 lbs
Est. Shipping Weight	4 lbs.
Est. Shipping Dimensions	10 in. x 10 in. x 10 in.

### ENVIRONMENTAL DATA

IP Rating	IP54
Operating Temperature	-13 to +158 degrees F [-25 to +70 degrees C]

## ELECTRICAL DATA

### Contact Specifications

Switch Type:  
1 N.O. and 1.N.C. double break microswitches.

Max. Number:  
Up to 2 contacts

Rating:  
10A 250 VAC Inductive/Resistive 10A 24 VAC Inductive/Resistive

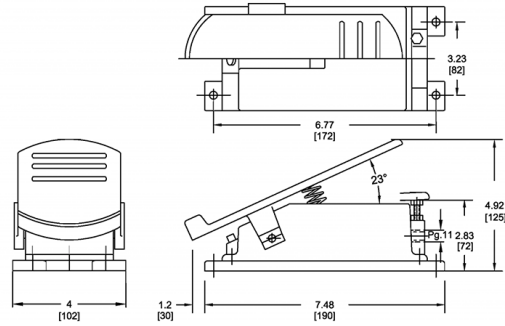
Termination:  
.250 x .020 Male Quick Connect

Additional Specifications Reference product literature for additional specifications

# Technical Drawings

## Dimensional

All dimensions in inches [mm] and are subject to change.



FP6 overall dimensions