

MG9 HANDLE

Push button handle.



SPECIFICATIONS

GENERAL DATA

Type	Standard
Specification Description	Push button handle.
Joystick Compatibility	VNSO, XL-VNSO, VCSO, VCS2, CS1

FEATURES AND FUNCTIONALITY

Push Buttons	✓
Rocker Switch	✗
Thumbwheel	✗
Handrest	✗
Trigger	✗
Operator Presence Switch	✗
Mechanical Interlock	✗
Twist	✗
Capacitive Hand Detection Sensor	✗

TECHNICAL DATA

Handle Height	3.4 in [87 mm]
---------------	----------------

Additional Specifications Reference product literature for additional specifications

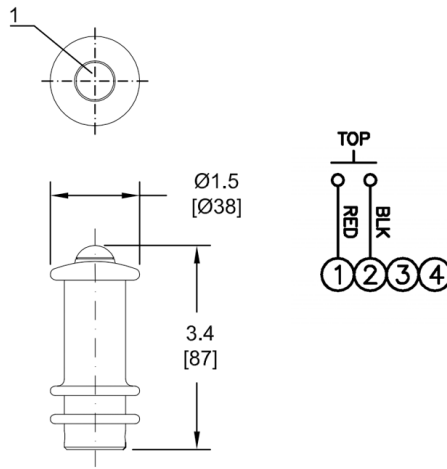
ENVIRONMENTAL DATA

IP Rating	IP56
-----------	------

Technical Drawings

Dimensional

All dimensions in inches [mm] and are subject to change.



MG9 dimensions & wiring details