

MG27 HANDLE

Push button handle with extended or recessed button.



SPECIFICATIONS

GENERAL DATA

Type	Standard
Specification Description	Push button handle with extended or recessed button.
Joystick Compatibility	CS3, CS3 B/B, VNSO, XL-VNSO, VNS2, VCSO, VCS2, CS1, PRO-4, PRO-6

FEATURES AND FUNCTIONALITY

Push Buttons	✓
Rocker Switch	✗
Thumbwheel	✗
Handrest	✗
Trigger	✗
Operator Presence Switch	✗
Mechanical Interlock	✗
Twist	✗
Capacitive Hand Detection Sensor	✗

TECHNICAL DATA

Handle Height	2.48 in [63 mm]
---------------	-----------------

Additional Specifications Reference product literature for additional specifications

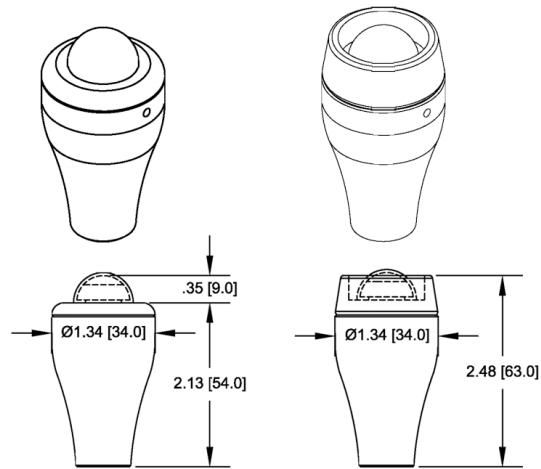
ENVIRONMENTAL DATA

IP Rating	IP32
-----------	------

Technical Drawings

Dimensional

All dimensions in inches [mm] and are subject to change.

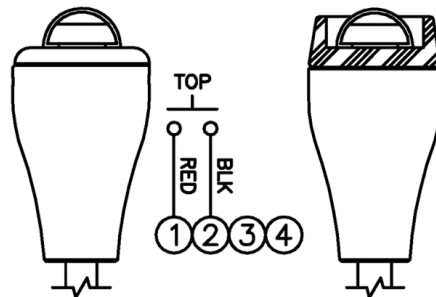


MG27 Extended

MG27V Recessed

MG27 extended & recessed dimensions

Wiring



MG27 wiring details