

MG2 HANDLE

Designed for applications requiring throttle style operation.



SPECIFICATIONS

GENERAL DATA

Type	Throttle, T-Handle
Specification Description	Designed for applications requiring throttle style operation.
Joystick Compatibility	VNSO, XL-VNSO, VNS2, VCSO, VCS2, CS1, PRO-4, PRO-6

FEATURES AND FUNCTIONALITY

Push Buttons	✓
Rocker Switch	✗
Thumbwheel	✗
Handrest	✗
Trigger	✗
Operator Presence Switch	✗
Mechanical Interlock	✗
Twist	✗
Capacitive Hand Detection Sensor	✗

TECHNICAL DATA

Handle Height	4.06 in [103 mm]
---------------	------------------

Additional Specifications Reference product literature for additional specifications

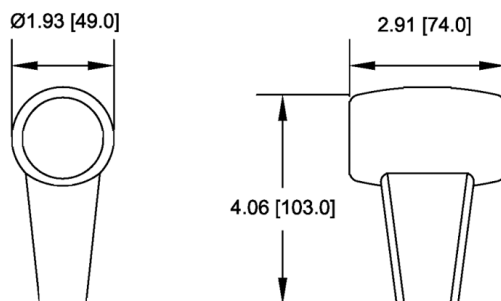
ENVIRONMENTAL DATA

IP Rating	IP54
-----------	------

Technical Drawings

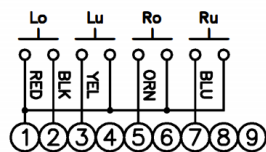
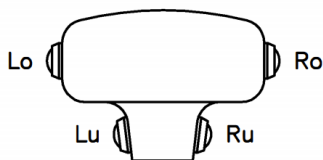
Dimensional

All dimensions in inches [mm] and are subject to change.



MG2 dimensions

Wiring



LEFT AND RIGHT SIDE
MOMENTARY PUSHBUTTONS

Left and ride side push button wiring details