

MERRITT SYNERGY

Combining superior comfort and adjustability, the Merritt Synergy line of operator chair systems brings ease-of-use and productivity to new heights.



SPECIFICATIONS

GENERAL DATA

Unique Features	<ul style="list-style-type: none">- High level of adjustability- Improved operator comfort
Console Width	10", 12" or custom (up to 15")
Max Number of Devices	<p><i>10" Console</i> Up to 8 devices and 1 joystick or 6 devices and 2 joysticks</p> <p><i>12" Console</i> Up to 14 devices and 1 joystick or 12 devices and 2 joysticks</p>
Seat Options	<p><i>Model</i> - Actimo Seat (Velour or Vinyl)</p> <p><i>Options</i> - Full cushion or u-cut cushion (Koenig seat only) - Heated seat (leather Koenig only) - Motorized seat recline (leather Koenig only) - 2-point retractable seat belt - 4-point shoulder harness - Operator presence switch</p>
Suspension Options	<p><i>Mechanical Suspensions</i> - Heavy Duty (weight up to 400 lbs)</p> <p><i>Pneumatic (Air) Suspensions</i> - Wide (weight up to 375 lbs) - Heavy Duty (weight up to 485 lbs)</p>
Armrest Type	Console mounted, large armrests with 11 position tilt adjustment for optimal upper body support. Leather handrest also supplied standard.
Footrest Option	<ul style="list-style-type: none">- 2-piece fixed footrest with adjustable horns- 2-piece fixed footrest
Est. Shipping Weight	580 lbs.
Est. Shipping Dimensions	60 in. x 45 in. x 52 in.

ADJUSTMENT FEATURES

System Rotation	Optional, up to 270 degrees
System Height	✓
System Tilt	✓
Consoles Slide Forward/Backward	✓
Consoles Tilt	✓
Consoles - Slew In/Out	✓
Armrests - Height	✓
Armrests - Tilt	✓
Seat - Slide Forward / Backward	✓
Seat - Recline	✓
Seat - Lumbar	✓
Footrest - Height / Tilt	✓

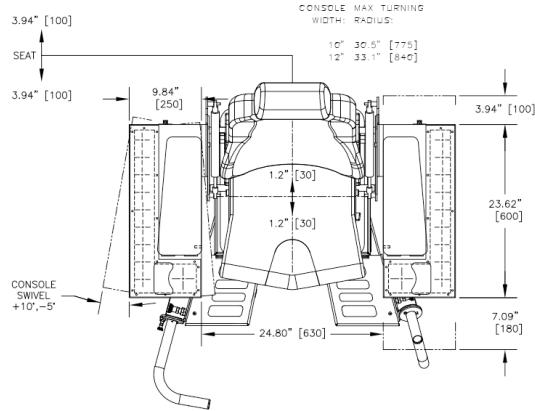
TECHNICAL DATA

	270 degrees max with pin lock or friction brake operation
Rotation Optional	<p><i>Pin Lock</i> 4 locking positions (every 90 degrees). Positions can be customized to your specifications.</p> <p><i>Friction Brake</i> System holds throughout +/- 135 degrees of travel.</p>
Max Turning Radius	<p><i>System with 10" Console</i> 30.5" [775 mm]</p> <p><i>System with 12" Console</i> 33.1" [840 mm]</p>
Slide Range	<p>23.4" [595 mm] total adjustment 15.6" [400 mm] seat slide range 7.8" [200 mm] seat and consoles range slide range</p>
Scissor Adjust Range	<p>Height: adjustable to 3.2" [80 mm] Tilt: adjustable to 14 degrees</p>
Armrest Adjust Range	Tilt / height adjustment: 11 positions, 5 - 30 degrees
Console Adjust Range	<p>Tilt: -20 degrees (down), +50 degrees (up) Slew: 5 degrees (in), 10 degrees (out) Slide: +/-1.97" [50 mm]</p>
Backrest Recline	<p><i>Actimo Seat</i> 80 degrees 46 degrees with 4-point retractable harness</p>
Seat Cushion Adjust Range	<p><i>Actimo Seat</i> Depth: 2.4" [60 mm] in 5 increments forward Tilt: 3-11 degrees in 4 increments</p>
Headrest Adjust Range	<p><i>Actimo Seat</i> Height adjustment: 3.5" [90mm] Tilt: 38 degrees</p>
Under Chair Cable Clearance	6" [152.4 mm] Min
Additional Specifications	Reference product literature for additional specifications and options

Technical Drawings

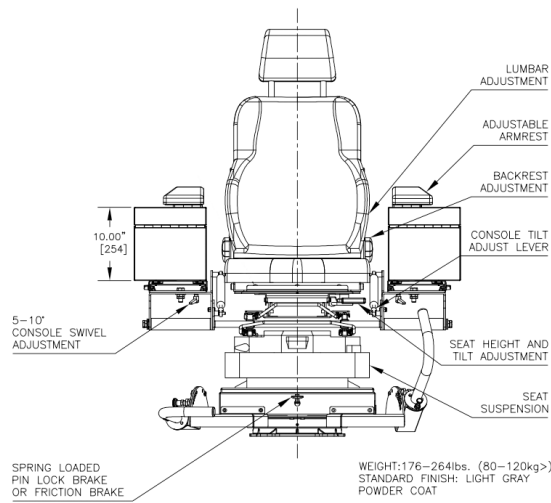
Dimensional

All dimensions in inches [mm] and are subject to change.



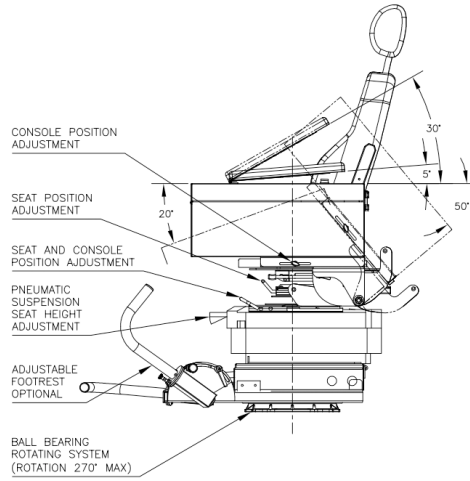
Merritt Synergy dimensions

All dimensions in inches [mm] and are subject to change.



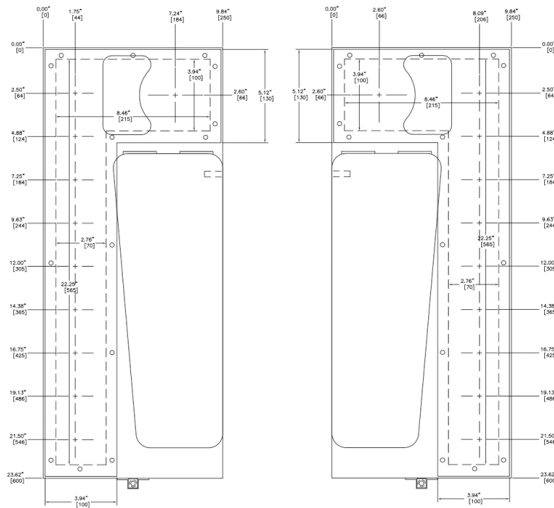
Merritt Synergy dimensions continued

All dimensions in inches [mm] and are subject to change.



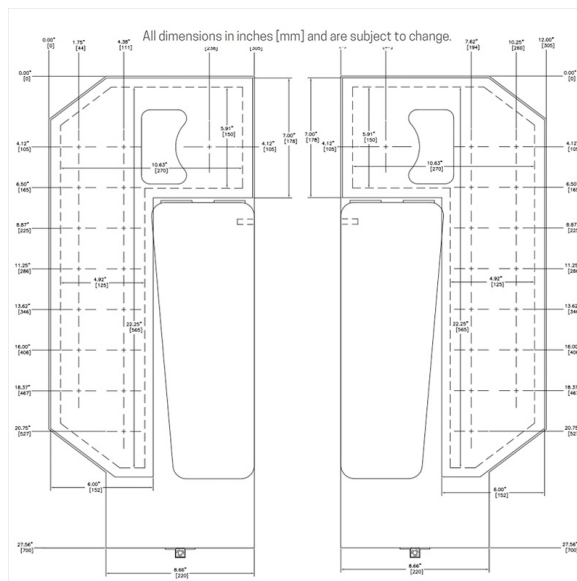
Merritt Synergy adjustability

All dimensions in inches [mm] and are subject to change.



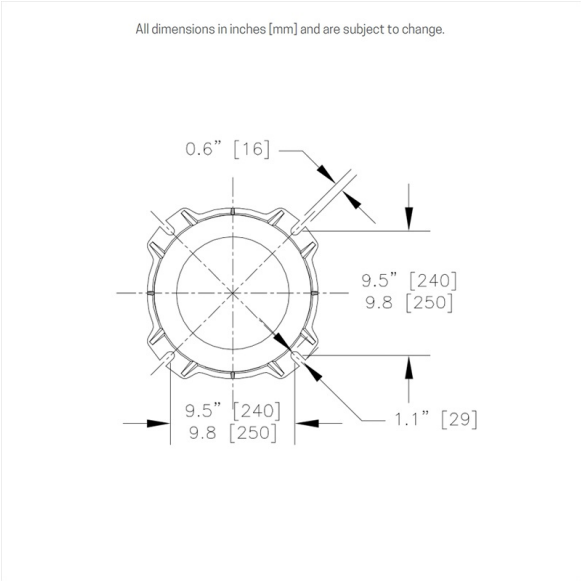
10 inch console standard layout

All dimensions in inches [mm] and are subject to change.



12 inch console standard layout

Mounting



Mounting flange details