

M2 MINI JOYSTICK

The M2 is a mini joystick designed specifically for bang / bang (on / off) operation. Available in single or dual axis control, this finger operated joystick is suited for use in remote control systems and applications with limited space.



SPECIFICATIONS

GENERAL DATA

# of Axis	Single or Dual
Output Options	Microswitches
Joystick Action	Spring Return
Handle Travel	+/- 28 degrees each axis
Gate	Open or Cross
Handle Compatibility	Tapered, round ball, push button or mechanical interlock
Life	3-5 million cycles each direction
Materials	High strength, glass filled nylon housing.
Est. Shipping Weight	2 lbs.
Est. Shipping Dimensions	8 in. x 6 in. x 6 in.

MOUNTING DATA

Mounting Style	Panel (from below)
Mounting Footprint	2.5" x 2.5" See literature for additional mounting specifications

ENVIRONMENTAL DATA

IP Rating IP54

Operating Temperature -4 to +140 degrees F [-20 to +60 degrees C]

ELECTRICAL DATA

Switch Type:
SPDT (Form C) V Series Microswitches

Max. Number:
Up to 2 per axis

Current Rating (AC):
11A

Voltage Rating (AC):
250

Contact Specifications

Current Rating (DC):
6A

Voltage Rating (DC):
12 - 24

Termination:
.187" x .20" male quick connect

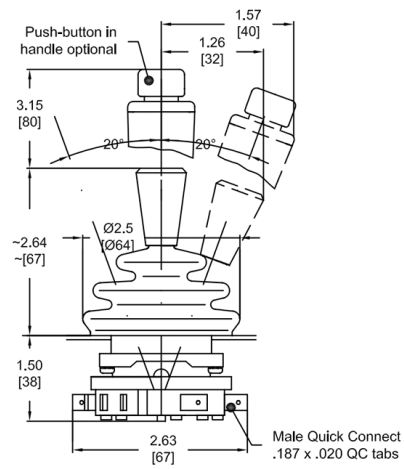
Max. Wire Size:
18 AWG

Additional Specifications Reference product literature for additional specifications

Technical Drawings

Dimensional

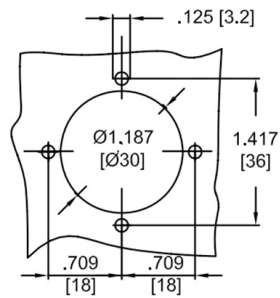
All dimensions in inches [mm] and are subject to change.



M2 overall dimensions. Shown with tapered handle and optional push button handle.

Mounting

All dimensions in inches [mm] and are subject to change.



Panel mounting details (mounts from below)