

## VNSO JOYSTICK

1,2 & 3 Axis mill-duty Joystick supports horizontal, vertical and tandem mounting of contact drives. In applications where mounting space is limited, customers benefit from the ability to configure the contact drives to suit the available space.



## SPECIFICATIONS

### GENERAL DATA

# of Axis	Single, Dual or Three* *Third axis is achieved via a twist handle function or thumbwheel.
Output Options	Contacts, Potentiometer, Encoder, 4-20mA & Transformer
Joystick Action	Spring Return, Friction Brake or Maintained
Handle Travel	+/- 36 degrees each axis
Gate	Open, Cross or Custom
Max # of Steps	Up to 7-0-7
Handle Compatibility	Standard Handles, Mechanical Interlock, FG-3, FG-4, FG-5, RH, RHS, BH, MG1, MG2, MG13, MG9 / MG25, MG27, G56
Life	20 million plus cycles
Materials	Aluminum body and nickel chromium yoke.
Est. Shipping Weight	1-Axis: 4 lbs. 2-Axis: 5 lbs.
Est. Shipping Dimensions	1-Axis: 13 in. x 10 in. x 6 in. 2-Axis: 10 in. x 10 in. x 10 in.

## MOUNTING DATA

Mounting Style	Panel (from below)
Mounting Footprint	3.78" x 3.78" See literature for additional mounting specifications

## ENVIRONMENTAL DATA

IP Rating	IP54
Operating Temperature	-13 to +158 degrees F [-25 to +70 degrees C]
Storage Temperature	-40 to +158 degrees F [-40 to +70 degrees C]

## ELECTRICAL DATA

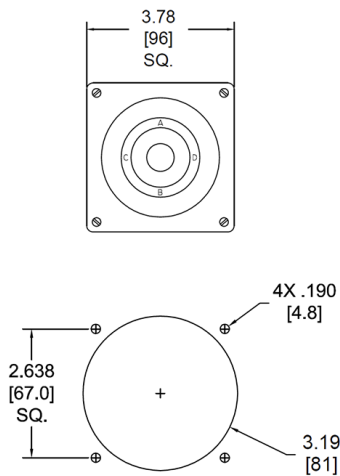
Contact Specifications	Switch Type: Double Pole Snap-In Contact Blocks Max. Number: Up to 10 contact blocks (20 circuits) per axis Max. Switching Capacity: Making - 100 amps Breaking - (0.7PF) 240V 80 amps Rating (AC): Continuous 16 amps @ 240V Resistive 8 amps @ 240V Inductive 6 amps @ 240V Termination: Captive Saddle Clamp Max. Wire Size: 12 AWG
------------------------	--

Additional Specifications Reference product literature for additional specifications

# Technical Drawings

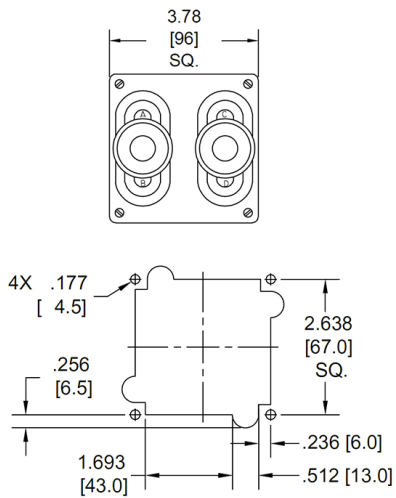
## Mounting

All dimensions in inches [mm] and are subject to change.



VNSO standard mounting (mounts from below). Applicable for all handles except FG4-L, FG-4R, & G56 handle types.

All dimensions in inches [mm] and are subject to change.



VNSO GGEA mounting (mounts from below).