

HS0 JOYSTICK

This joystick combines a compact design with durability. The extremely compact design allows use in even the smallest enclosures and consoles. Various gates and a variety of handle shapes complete the range of application. The joystick is used in particular in agriculture, construction machinery and radio remote controls.



SPECIFICATIONS

GENERAL DATA

# of Axis	Single or Dual
Output Options	Hall-Effect
Joystick Action	Spring Return
Handle Travel	+/- 20 degrees each axis
Gate	Open or Cross
Handle Compatibility	G57
Life	5 million plus cycles

MOUNTING DATA

Mounting Style	Drop-in (From Above)
Mounting Footprint	38.5 mm x 38.5 mm See literature for additional mounting specifications

ENVIRONMENTAL DATA

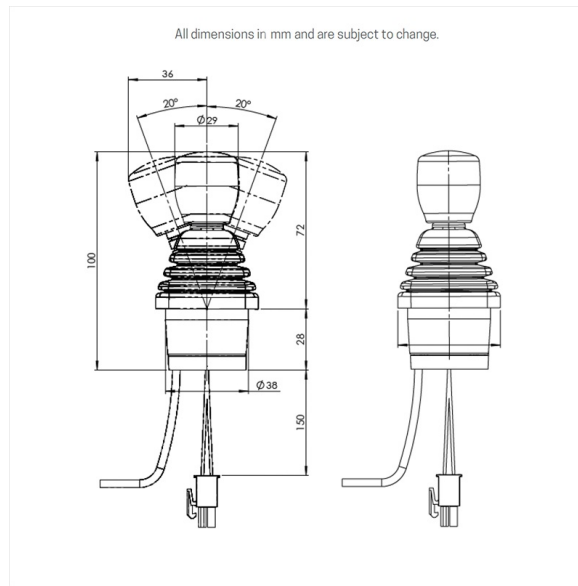
IP Rating	IP67
Operating Temperature	-40 to +185 degrees F [-40 to +85 degrees C]

ELECTRICAL DATA

Additional Specifications Reference product literature for additional specifications

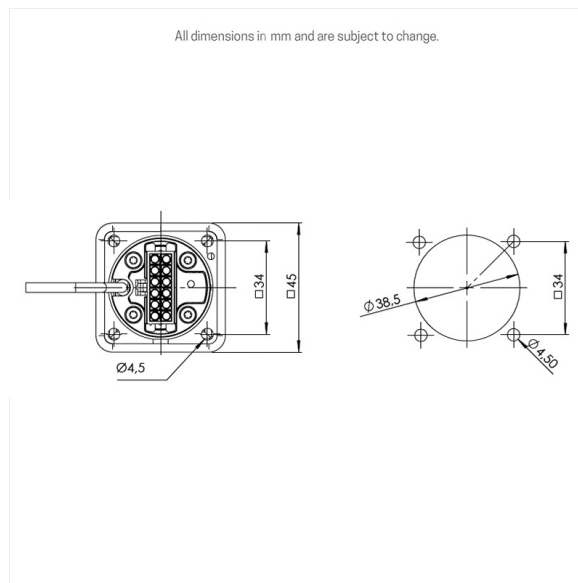
Technical Drawings

Dimensional



HS0 dimensions

Mounting



HS0 mounting dimensions