

CS3 B/B JOYSTICK

The CS3 B/B is an ultra-tough switch joystick designed specifically for bang / bang (on / off) operation. The durable housing and center pivot design make this device resistant to abuse and ideally suited for high duty cycle applications.



SPECIFICATIONS

GENERAL DATA

# of Axis	Single, Dual or Three* *Third axis is achieved via a twist handle function or thumbwheel.
Output Options	Microswitches
Joystick Action	Spring Return
Handle Travel	+/-15 degrees each axis
Gate	Open or Cross
Handle Compatibility	Round Ball, BH, RH, RHS, FG-3, FG-4, FG-5, G58, MG1, MG13, MG27 & TH30
Life	20 million plus cycles
Materials	High strength, glass filled nylon housing.

MOUNTING DATA

Mounting Style	Drop-in or Panel (from below)
Mounting Footprint	2.76" x 2.76 Panel mount 3.54" x 3.54" Drop-in mount See literature for additional mounting specifications

ENVIRONMENTAL DATA

IP Rating IP54

Operating Temperature -13 to +158 degrees F [-25 to +70 degrees C]

Storage Temperature -40 to +158 degrees F [-40 to +70 degrees C]

ELECTRICAL DATA

Switch Type:
SPDT (Form C) V Series Microswitches

Max. Number:
Up to 4 per axis

Current Rating (AC):
11A

Voltage Rating (AC):
250

Contact Specifications

Current Rating (DC):
6A

Voltage Rating (DC):
12 - 24

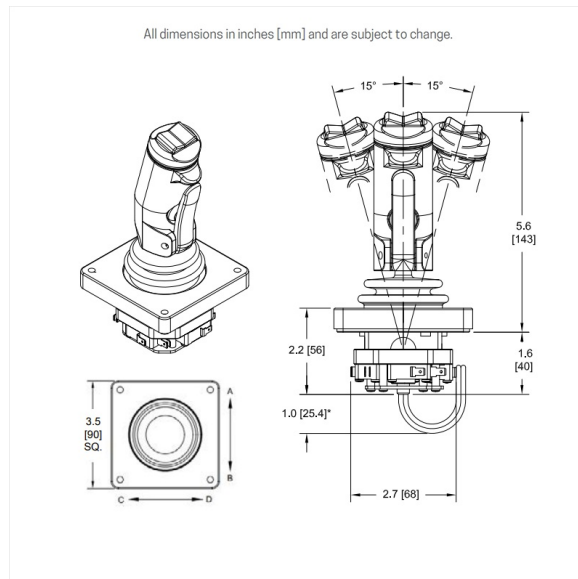
Termination:
.187" x .20" male quick connect

Max. Wire Size:
18 AWG

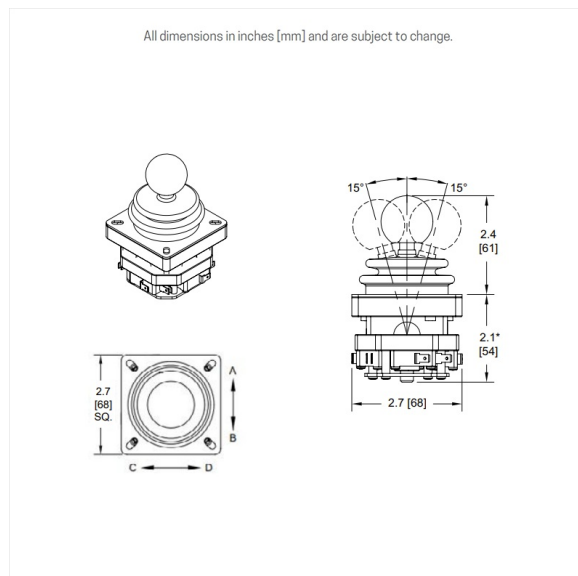
Additional Specifications Reference product literature for additional specifications

Technical Drawings

Dimensional

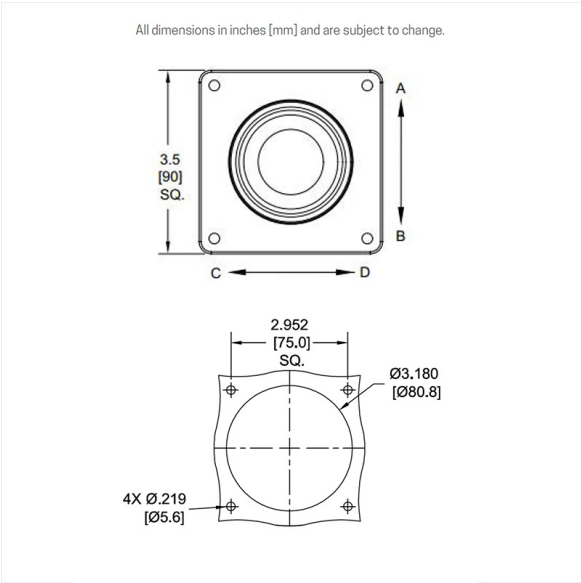


Drop-in mounting & panel mounting style 2 (P2). Shown with BH handle.

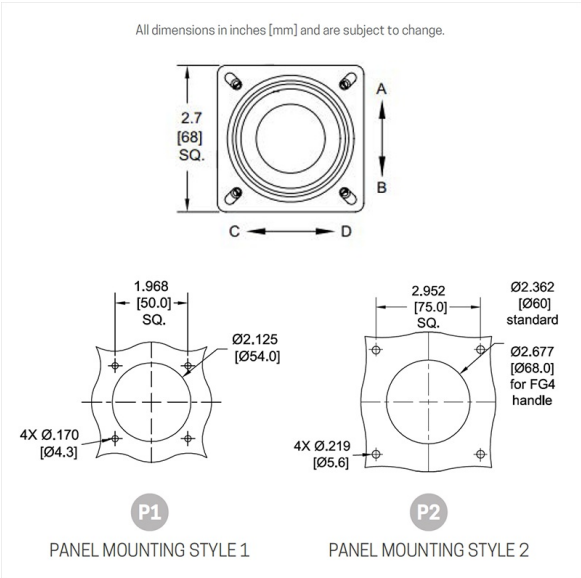


Panel mounting style 1 (P1). Shown with round ball handle.

Mounting



CS3 B/B drop-in mounting (mounts from above).



CS3 B/B panel mounting (mounts from below). P2 mounting pattern uses larger (drop-in) CS3 body.