

MERRITT EVOLVE

Designed to adapt and excel in virtually any equipment application, the Merritt Evolve model joystick offers unprecedented levels of customization. Available with a J1939, CANOpen, or hall-effect output, the Evolve can be configured to a broad range of machinery and operations.



SPECIFICATIONS

GENERAL DATA

# of Axis	Single, Dual or Three* *Third axis is achieved via a twist handle function or thumbwheel.
Output Options	CANOpen & J1939, Hall-Effect, Redundant*, Redundant Reversed* *Available in late 2023
Joystick Action	Spring Return
Handle Travel	+/- 20 degrees each axis
Gate	Open or Cross
Handle Compatibility	XG1, FG-4, RH, BH, RHS, G58, MG27
Life	20 million plus cycles
Est. Shipping Weight	3lbs
Est. Shipping Dimensions	13 in. x 10 in. x 8 in.

MOUNTING DATA

Mounting Style	Drop-in
Mounting Footprint	3.5 in." x 3.5 in" Drop-in mount Reference product literature for additional mounting specifications

ENVIRONMENTAL DATA

IP Rating IP54*
*IP Rating dependent on the handle device chosen.

Operating Temperature -40 to +140 F [-40 to +60 C]

Storage Temperature -40 to +176 F [-40 to +80 C]

ELECTRICAL DATA

Contact Specifications

Single 5V (Standard)

Supply Voltage: 4.5-5.5 VDC

Output Voltage: Ratiometric 0.5 - 2.5 - 4.5 V ± 0.15 V @ 5.0 V Supply

Output Current: 10mA

Power Consumption: 7 mA typical (5 - 10 mA max)

7-30 VDC

Hall-Effect Specifications **Supply Voltage:** 7-30 VDC

Output Voltage: 0.5 - 2.5 - 4.5 V ± 0.15 V

EMC Emissions:

Complies with EN61000-6-4:2007; Class A Group 1,80- 1000MHz

EMC Immunity:

Complies with EN61000-6-2:2005 expanded to include: RFI Immunity of 100V/M @80 - 1000 MHz

ESDImmunity of 15 Kv air, 8 Kv contact

Can Specifications

CANOpen

Standard 2 analog joystick inputs (X/Y)

Up to 14 digital inputs

Up to 4 digital outputs*

Up to 8 additional analog inputs*

* Replacing digital inputs

J1939

Standard 2 analog joystick inputs (X/Y)

Up to 14 digital inputs

Up to 4 digital outputs*

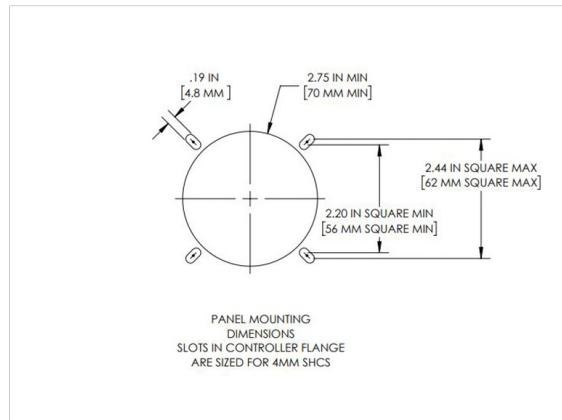
Up to 8 additional analog inputs*

* Replacing digital inputs

Additional Specifications Reference product literature for additional specifications

Technical Drawings

Mounting



Merritt Evolve Drop-in mounting