

## MERRITT SELECT

The industry standard for cranes and a range of cab-operated equipment, the Merritt Select (formerly FSA/FSAD & LFC/LRC) operator chair system offers a balance of adjustments and ruggedness in a field proven design.



## SPECIFICATIONS

## GENERAL DATA

|                          |   |
|--------------------------|---|
| Unique Features          | <ul style="list-style-type: none"><li>- Industry standard for cranes</li><li>- Multitude of configurations</li></ul>  |
| Console Width            | 6", 9" or 12"   |
| Max Number of Devices    | <p><i>6" Console</i><br/>Up to 5 devices and 1 joystick</p> <p><i>9" Console</i><br/>Up to 11 devices and 1 joystick or 8 devices and 2 (1-axis) joysticks</p> <p><i>12" Console</i><br/>Up to 19 devices and 1 joystick or 15 devices and 2 joysticks</p>  |
| Seat Options             | <p>Actimo Seat (Velour or Vinyl)</p> <p><i>Options</i></p> <ul style="list-style-type: none"><li>- Armrests with tilt and height adjustments</li><li>- 2-point retractable seat belt</li><li>- 4-point shoulder harness</li><li>- Operator presence switch</li></ul>  |
| Suspension Options       | <p><i>Mechanical Suspensions</i></p> <ul style="list-style-type: none"><li>- 4 Step w/ Lift Assist (weight up to 309 lbs)</li><li>- Heavy Duty (weight up to 400 lbs)</li></ul> <p><i>Pneumatic (Air) Suspensions</i></p> <ul style="list-style-type: none"><li>- Standard (weight up to 330 lbs)</li><li>- Wide (weight up to 375 lbs)</li><li>- Heavy Duty (weight up to 485 lbs)</li></ul> |
| Armrest Type             | Console mounted armrests with tilt, height, and horizontal slide adjustments.   |
| Footrest Option          | <ul style="list-style-type: none"><li>- 2-piece fixed footrest</li><li>- 1-piece (platform-style) fixed footrest</li></ul>  |
| Est. Shipping Weight     | 375 lbs.  |
| Est. Shipping Dimensions | 60 in. x 45 in. x 52 in.  |

## ADJUSTMENT FEATURES

|                                     |                             |
|-------------------------------------|-----------------------------|
| System Rotation                     | Optional, up to 270 degrees |
| System Height                       | ✓                           |
| System Tilt                         | ✗                           |
| Consoles Slide Forward/Backward     | ✓                           |
| Consoles Tilt                       | Optional, flip-up           |
| Consoles - Slew In/Out              | ✗                           |
| Armrests - Height                   | ✓                           |
| Armrests - Tilt                     | ✓                           |
| Armrests - Slide Forward / Backward | ✓                           |
| Seat - Slide Forward / Backward     | ✓                           |
| Seat - Recline                      | ✓                           |
| Seat - Lumbar                       | ✓                           |
| Footrest - Height / Tilt            | ✗                           |

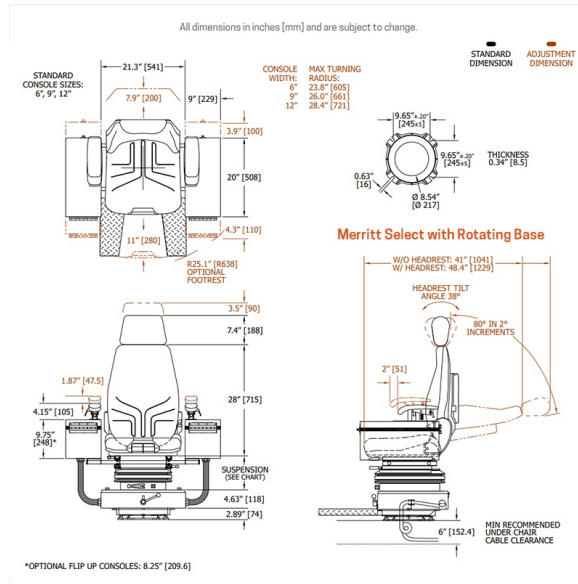
## TECHNICAL DATA

|                             |  |
|-----------------------------|--|
|                             | 270 degrees max with pin lock or friction brake  |
| Rotation Optional           | <p><i>Pin Lock</i><br/>4 locking positions (every 90 degrees). Positions can be customized to your specifications.</p> <p><i>Friction Brake</i><br/>System holds throughout +/- 135 degrees of travel.</p> |
|                             | <p><i>System with 6" Console</i><br/>23.8" [605 mm]</p> <p><i>System with 9" Consoles</i><br/>26.0" [661 mm]</p> <p><i>System with 12" Console</i><br/>28.4" [721 mm]</p>                                  |
| Max Turning Radius          |  |
| Slide Range                 | <p>16" [406 mm] total adjustment<br/>8" [203 mm] seat slide range<br/>8" [203 mm] seat and console slide range</p>   |
| Armrest Adjust Range        | <p>Tilt: -10 degrees (down), +5 degrees (up)<br/>Height: 1.87" [47.5 mm]<br/>Horizontal: 2" [51 mm]</p>  |
| Console Adjust Range        | (Optional) Flips up for access to seat in restricted space applications  |
| Backrest Recline            | <p><i>Actimo Seat</i><br/>80 degrees<br/>46 degrees with 4-point shoulder harness</p>  |
| Seat Cushion Adjust Range   | <p><i>Actimo Seat</i><br/>Depth: 2.4" [60 mm] in 5 increments forward<br/>Tilt: 3-11 degrees in 4 increments</p>   |
| Headrest Adjust Range       | <p><i>Actimo Seat</i><br/>Height adjustment: 3.5" [90mm]<br/>Tilt: 38 degrees</p>  |
| Under Chair Cable Clearance | 6" [152.4 mm] Min  |

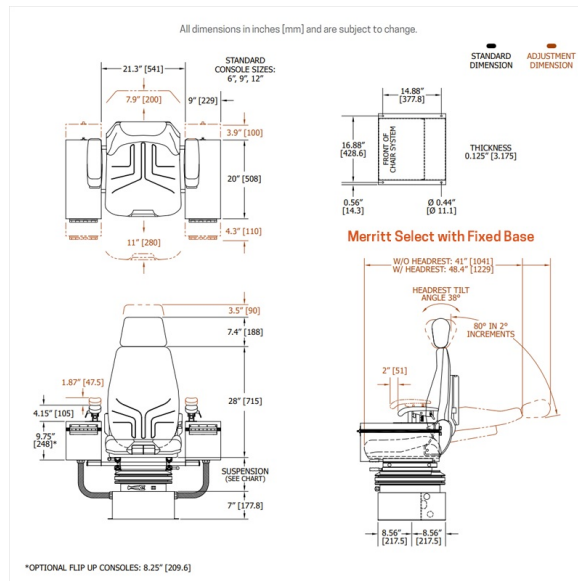
Additional Specifications Reference product literature for additional specifications and options

# Technical Drawings

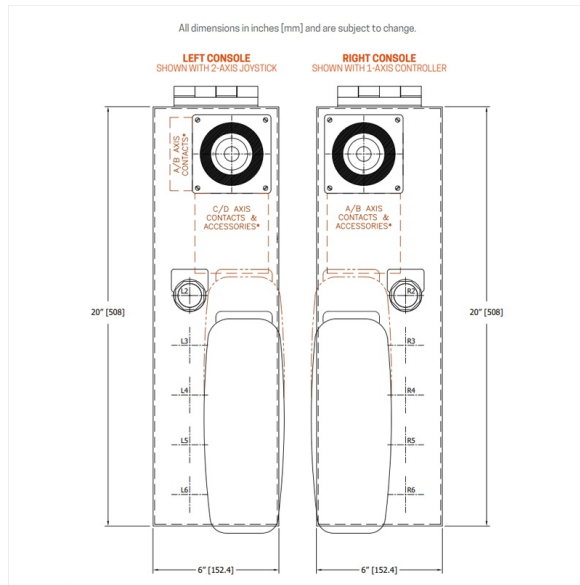
## Dimensional



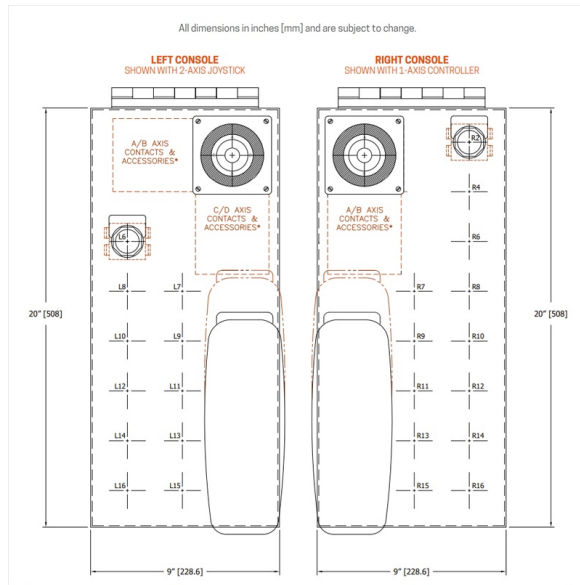
Rotating base model dimensions



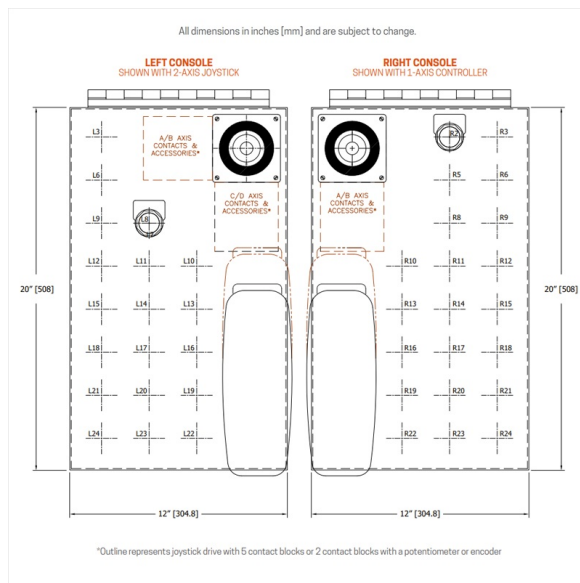
Fixed base model dimensions



6 inch console standard layout



9 inch console standard layout



\*Outline represents joystick drive with 5 contact blocks or 2 contact blocks with a potentiometer or encoder

12 inch console standard layout

