

## NS3 JOYSTICK

This joystick has a special console design enables activation of electronic elements such as Hall sensors and potentiometers and the use of up to three switch contacts.



## SPECIFICATIONS

### GENERAL DATA

# of Axis	Single, Dual or Three* *Third axis is achieved via a twist handle function or thumbwheel.
Output Options	Hall-Effect, Potentiometer, ProfiBus & ProfiNet
Joystick Action	Spring Return
Handle Travel	+/- 26 degrees each axis
Gate	Open or Cross
Life	20 million cycles

### MOUNTING DATA

Mounting Style	Drop-in
----------------	---------

### ENVIRONMENTAL DATA

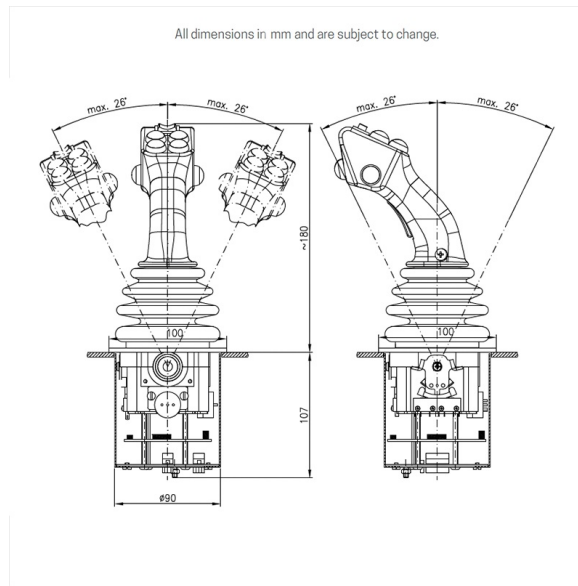
IP Rating	IP54
Operating Temperature	-13 to +140 degrees F [-25 to +60 degrees C]

## ELECTRICAL DATA

Additional Specifications Reference product literature for additional specifications

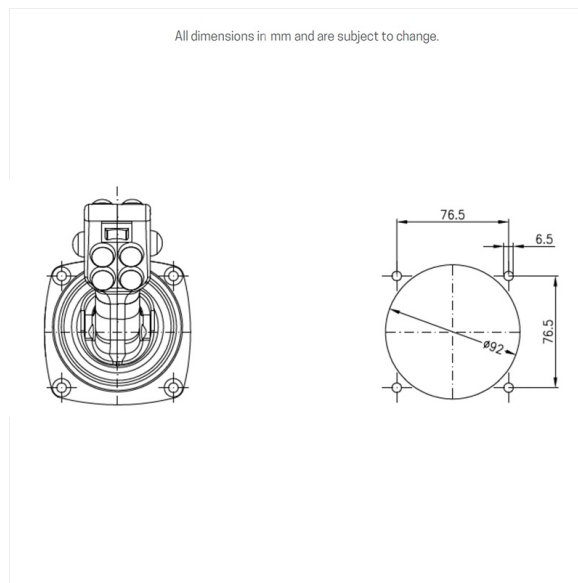
# Technical Drawings

## Dimensional



NS3 dimensions

## Mounting



NS3 mounting dimensions