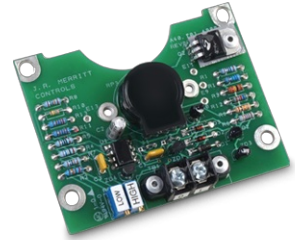


ESS 420 4-20MA TRANSMITTER

The ESS 420 transmits a current signal which is proportional to the joystick's handle position. The ESS 420 is used in applications where a signal must be transmitted over a considerable distance and where electrical noise is a problem.



SPECIFICATIONS

MECHANICAL DATA

Operating temperature	-25 to +70 degrees C
-----------------------	----------------------

Material	.093 Fiberglass PCB
----------	---------------------

ELECTRICAL DATA

Supply voltage	24 VDC
----------------	--------

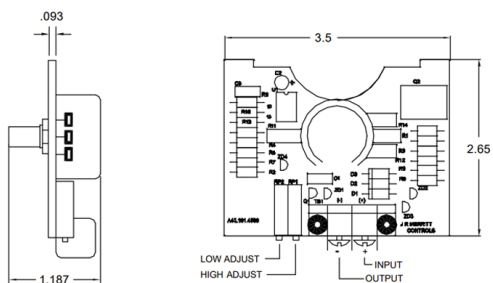
Load max	750 ohms
----------	----------

Adjustment range	2-22 mA
------------------	---------

Technical Drawings

Dimensional

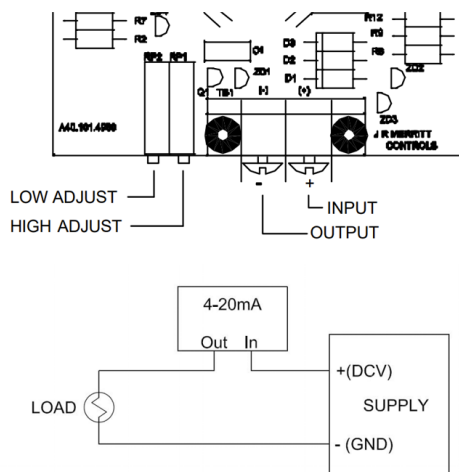
All dimensions in inches and are subject to change.



ESS 420 Dimensions

Wiring

All dimensions in mm and are subject to change.



ESS 420 Wiring Details