

HFC-100

The Type HFC-100 fixed or rotating (optional) operator armchair with 5" wide consoles. Suitable for tight cabins.



SPECIFICATIONS

GENERAL DATA

Unique Features	<ul style="list-style-type: none"> - Compact design - Ideal of applications with limited space
Console Width	4.92"
Max Number of Devices	Up to 2 devices and 1 joystick
Seat Options	<p>Actimo Seat (Velour or Vinyl)</p> <p><i>Options</i></p> <ul style="list-style-type: none"> - Armrests with tilt and height adjustments - 2-point retractable seat belt - 4-point shoulder harness - Operator presence switch
Suspension Options	<p><i>Mechanical Suspensions</i></p> <ul style="list-style-type: none"> - 3 Step (weight up to 285 lbs) - 4 Step w/ Lift Assist (weight up to 309 lbs)
Armrest Type	Optional, seat mounted armrests with tilt and height adjustments.
Est System Weight Packed	190 - 240 lbs

ADJUSTMENT FEATURES

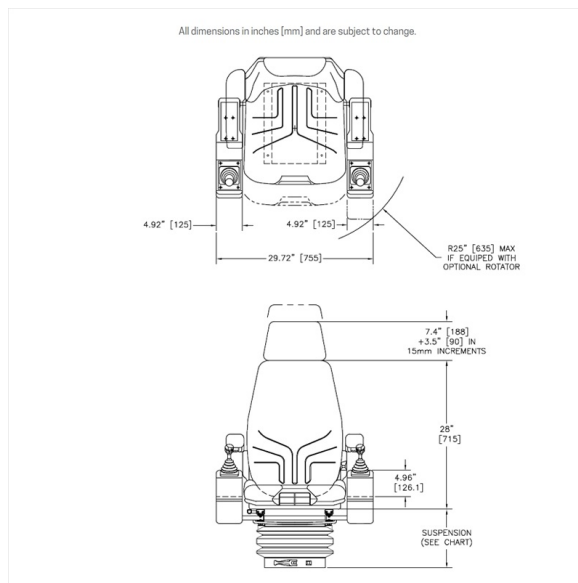
System Rotation	Optional, 360 degrees seat swivel
System Height	✓
System Tilt	✗
Consoles Slide Forward/Backward	✓
Consoles Tilt	Left console flips up for seat accessibility
Consoles - Slew In/Out	✗
Armrests - Height	✓
Armrests - Tilt	✓
Armrests - Slide Forward / Backward	✗
Seat - Slide Forward / Backward	✓
Seat - Recline	✓
Seat - Lumbar	✓

TECHNICAL DATA

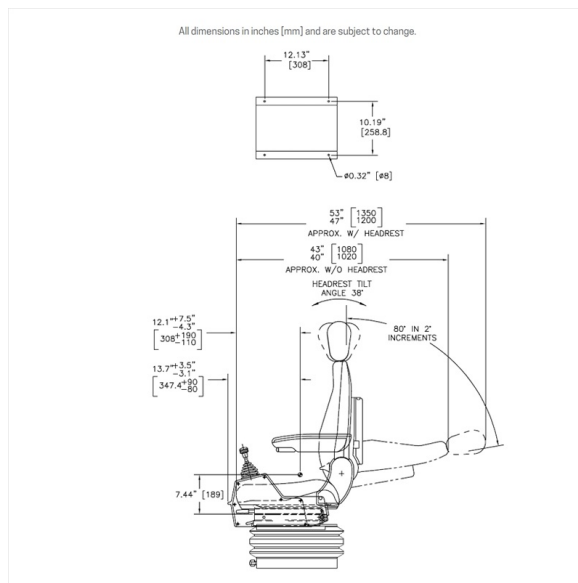
Rotation Optional	+/-90 degrees, lockable every 10 degrees
Max Turning Radius	25" [635]
Slide Range	16" [406 mm] total adjustment 8" [203 mm] seat slide range 8" [203 mm] seat and console slide range
Armrest Adjust Range	Tilt: -30 degrees (down), +10 degrees (up) & flip up Height: 1.6" [40 mm] in 8 mm increments
Backrest Recline	<i>Actimo Seat</i> 80 degrees 46 degrees with 4-point shoulder harness
Seat Cushion Adjust Range	<i>Actimo Seat</i> Depth: 2.4" [60 mm] in 5 increments forward Tilt: 3-11 degrees in 4 increments
Headrest Adjust Range	<i>Actimo Seat</i> Height adjustment: 3.5" [90mm] Tilt: 38 degrees
Additional Specifications	Reference product literature for additional specifications and options

Technical Drawings

Dimensional



HFC-100 dimensions



HFC-100 dimensions continued