

## VCSO JOYSTICK

The VCSO joystick is rugged, compact and offers excellent application versatility. VCSO Joysticks are utilized where precise proportional and step control of A/C or D/C drives and electro-hydraulics is desired.



## SPECIFICATIONS

### GENERAL DATA

|                          |  |
|--------------------------|--|
| # of Axis                | Single, Dual or Three*<br>*Third axis is achieved via a twist handle function or thumbwheel.                             |
| Output Options           | Contacts, Potentiometer, & Encoder   |
| Joystick Action          | Spring Return, Friction Brake or Maintained  |
| Handle Travel            | +/- 37 degrees each axis   |
| Gate                     | Open or Cross  |
| Max # of Steps           | Up to 6-0-6  |
| Handle Compatibility     | Standard Handles, Mechanical Interlock, Round Ball, FG-3, FG-4, FG-5, RH, RHS, BH, MG1, MG2, MG13, MG9 / MG25, MG27, G56 |
| Life                     | 10 million cycles  |
| Materials                | Glass filled Zytel body, nickel chromium yoke (properties similar to stainless steel)                                    |
| Est. Shipping Weight     | 2-3 lbs.   |
| Est. Shipping Dimensions | 8 in. x 8 in. x 8 in.  |

## MOUNTING DATA

|                    |  |
|--------------------|--|
| Mounting Style     | Panel (from below)   |
| Mounting Footprint | 3.78" x 3.78"<br>2.84" x 2.84" (optional)<br>See literature for additional mounting specifications |

## ENVIRONMENTAL DATA

|                       |  |
|-----------------------|--|
| IP Rating             | IP54   |
| Operating Temperature | -13 to +158 degrees F [-25 to +70 degrees C] |
| Storage Temperature   | -40 to +158 degrees F [-40 to +70 degrees C] |

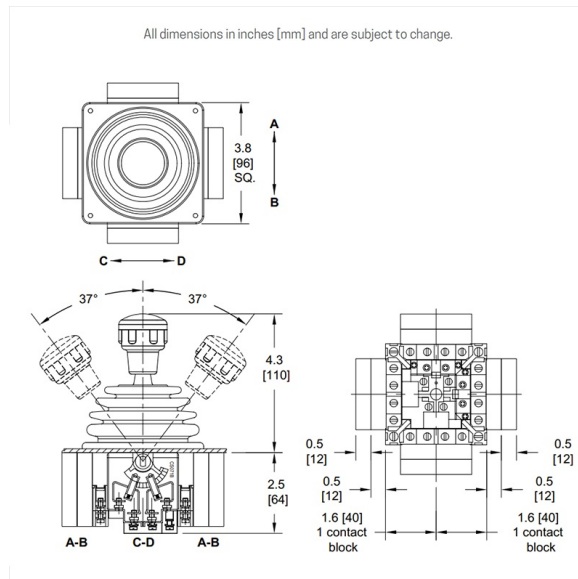
## ELECTRICAL DATA

|                        |  |
|------------------------|--|
| Contact Specifications | Switch Type:<br>Double Pole Contact Blocks<br><br>Max. Number:<br>Up to 3 contact blocks (6 circuits) with potentiometer<br>Up to 6 contact blocks (12 circuits) without potentiometer<br><br>Rating (AC):<br>Resistive 10 amps @ 240V<br>Inductive 4 amps @ 240V<br><br>Termination:<br>Saddle Clamp<br><br>Max. Wire Size:<br>12 AWG |
|------------------------|--|

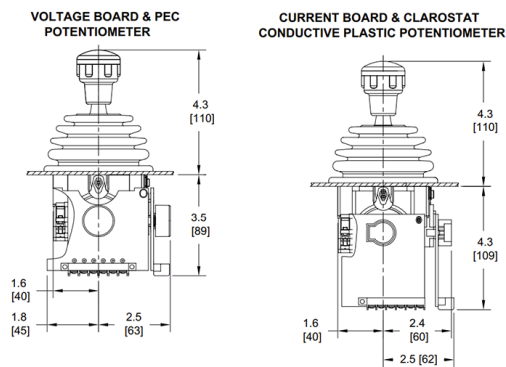
Additional Specifications Reference product literature for additional specifications

# Technical Drawings

## Dimensional

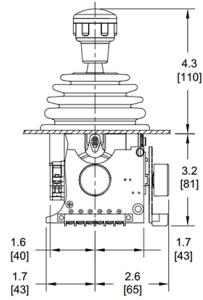


All dimensions in inches [mm] and are subject to change.

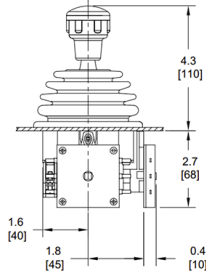


All dimensions in inches [mm] and are subject to change.

**STANDARD POTENTIOMETER BOARD & PEC POTENTIOMETER**



**POTENTIOMETER PD550/PW55**



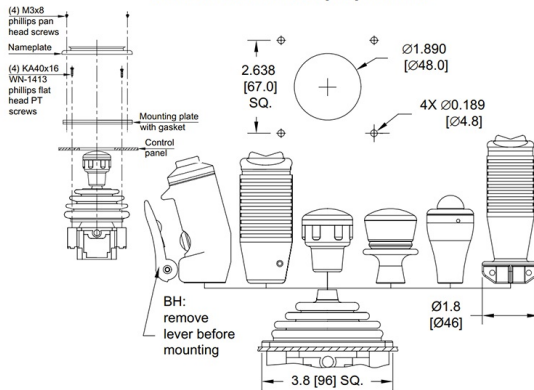
VCSO dimensions for potentiometer boards and PD550

**Mounting**

All dimensions in inches [mm] and are subject to change.

**MOUNTING STYLE 1:**

Standard 5 hole with 1.890 [48.0] center hole

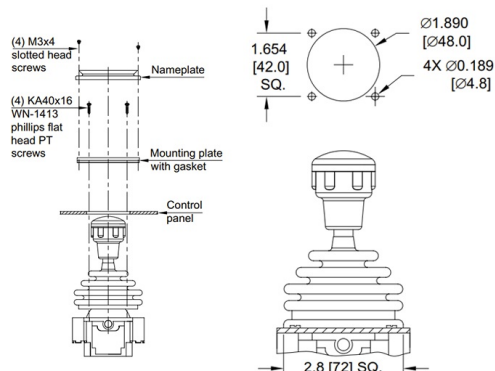


Mounting style 1. Standard VCSO mounting for use with BH, RH, RHS, MG27 and standard handles.

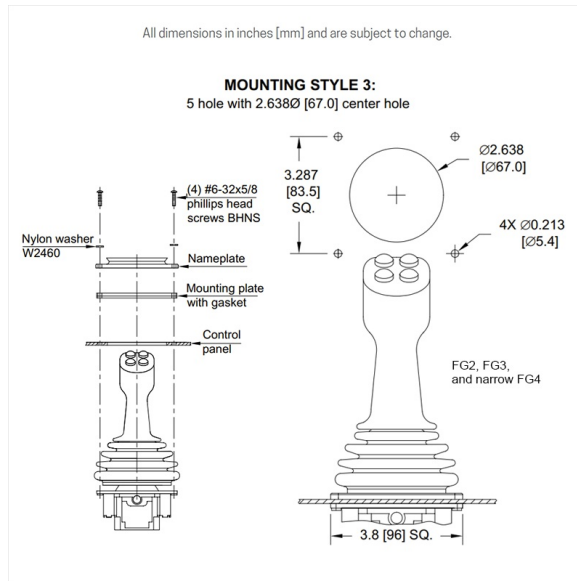
All dimensions in inches [mm] and are subject to change.

**MOUNTING STYLE 2:**

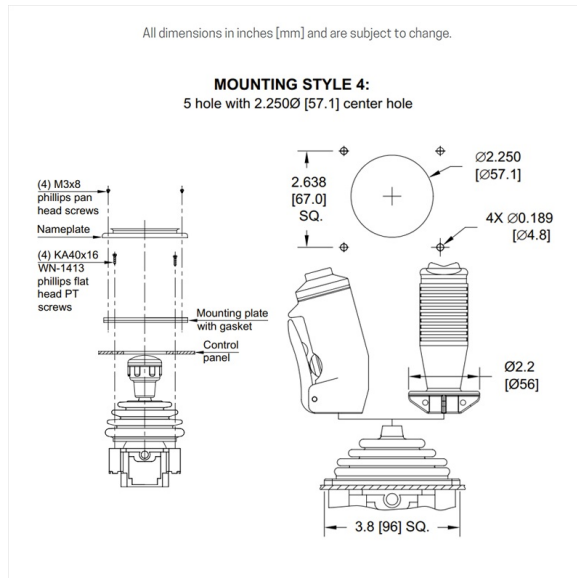
Optional 5 hole with Ø1.890 [48.0] center hole and 2.84 [72] X 2.84 [72] nameplate



Mounting style 2. Optional mounting for use with 2.84 x 2.84 nameplate.



Mounting style 3. For use with FG2, FG3, and narrow FG4 handles.



Mounting style 4. For use with BH handle and RH handles. BH lever does not need to be removed for installation.