

FG-3 HANDLE

The FG3 fighter grip handle offers comfort and reliability in a field proven design. Available with a range of devices, including push buttons, rocker switches, and thumbwheels, the FG3 can be customized to fit the individual needs of virtually any application.



SPECIFICATIONS

GENERAL DATA

Type	Fighter Grip, Multi-Function
Specification Description	Fighter grip handle that offers reliability and performance in a field proven design.
Joystick Compatibility	CS3, CS3 B/B, VNSO, XL-VNSO, VNS2, VCSO, VCS2, CS1, PRO-4, PRO-6

FEATURES AND FUNCTIONALITY

Push Buttons	✓
Rocker Switch	✓
Thumbwheel	✓
Handrest	✗
Trigger	✗
Operator Presence Switch	✓
Mechanical Interlock	✗
Twist	✗
Capacitive Hand Detection Sensor	✗

TECHNICAL DATA

Handle Height	5 in [127 mm]
---------------	---------------

Additional Specifications Reference product literature for additional specifications

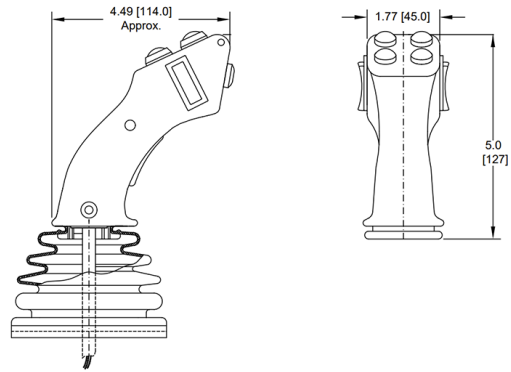
ENVIRONMENTAL DATA

IP Rating	IP56
-----------	------

Technical Drawings

Dimensional

All dimensions in inches [mm] and are subject to change.



FG3 dimensions