

## NNSO JOYSTICK

Shares the VNSO's robust construction, but with a larger 12 mm shaft diameter and the option to mount potentiometers on the inside of its body for applications with space restriction. The NNSO are very robust joysticks with aluminum pressure casting consoles and metal gears. Their resistance against ozone, UV radiation, oil and maritime climate makes them especially suitable for heavy operations and in Ex-areas.



## SPECIFICATIONS

### GENERAL DATA

# of Axis	Single, Dual or Three* *Third axis is achieved via a twist handle function or thumbwheel.
Output Options	Contacts, Potentiometer, Encoder, 4-20mA, Transformer, ProfiBus & ProfiNet
Joystick Action	Spring Return, Friction Brake or Maintained
Handle Travel	+/- 26 degrees each axis
Gate	Open, Cross or Custom
Max # of Steps	Up to 7-0-7
Life	25 million cycles
Materials	Aluminum body and nickel chromium yoke.

### MOUNTING DATA

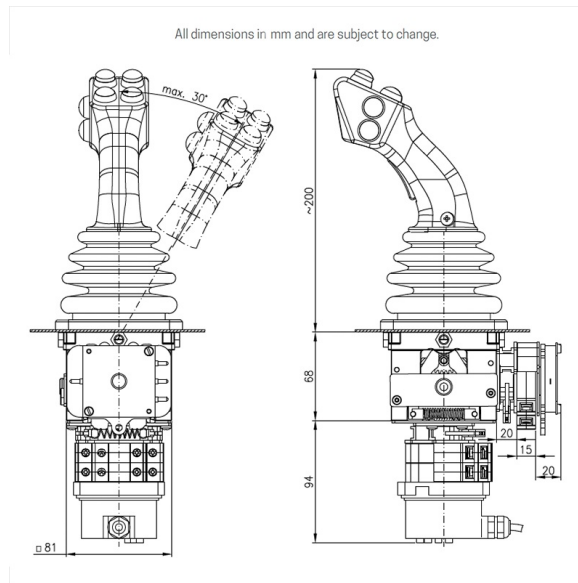
Mounting Style	Panel (from below)
----------------	--------------------

### ENVIRONMENTAL DATA

IP Rating	IP54
Storage Temperature	-40 to +140 degrees F [-40 to +60 degrees C]

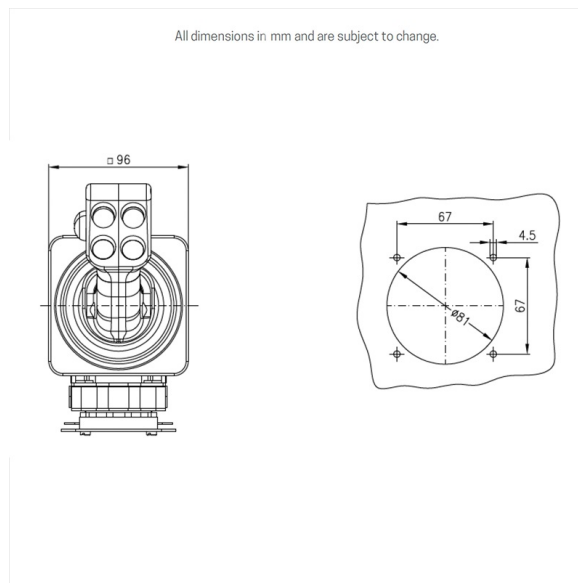
# Technical Drawings

## Dimensional



NNSO dimensions

## Mounting



NNSO mounting dimensions