

PRO-5 JOYSTICK

The single axis PRO-5 joystick boasts a NEMA 4 cast housing construction making it suitable for use in wet and dirty environments. Its versatile design accommodates a variety of handle options, as well as proportional and discrete outputs including; 11A snap action switches, potentiometers, hall-effect, PWM, CAN and bang/bang.



SPECIFICATIONS

GENERAL DATA

# of Axis	Single
Output Options	Microswitches, Potentiometer, Hall-Effect, PWM & CAN
Joystick Action	Spring Return or Friction Brake
Handle Travel	+/- 36 degrees for potentiometer +/- 20 degrees for Bang/Bang and Hall-effect
Handle Compatibility	2 Piece, Round Ball, Mechanical Interlock, RH, RHS, BH, MG27
Life	10 million cycles
Materials	Features a cast housing and gasketing for outdoor use, as well as plated steel sides, self lubricating bearings, hard nickel chromium spring return arms, compression style return spring and brass gears.
Est. Shipping Weight	2 lbs.
Est. Shipping Dimensions	8 in. x 6 in. x 6 in.

MOUNTING DATA

Mounting Style	Drop-in or Panel (from below)
Mounting Footprint	2.95" x 3.62" See literature for additional mounting specifications

ENVIRONMENTAL DATA

IP Rating IP66 (Panel mounting)
IP55 (Drop-in mounting)

Operating Temperature -13 to +158 degrees F [-25 to +70 degrees C]

Storage Temperature -40 to +158 degrees F [-40 to +70 degrees C]

ELECTRICAL DATA

Switch Type:
SPDT (Form C) V Series Microswitches

Max. Number:
Up to 4 with potentiometer
Up to 6 without potentiometer

Contact Specifications Current Rating (AC):
11A

Voltage Rating (AC):
250

Termination:
.187" x .20" male quick connect

Max. Wire Size:
18 AWG

Supply Voltage:
4.5 to 5.5 VDC

Output Voltage:
Ratiometric 0.5 - 2.5 - 4.5 +/- 0.15V @ 5.0V supply
Additional supply and output options available

Output Current: 10mA

Hall-Effect Specifications Power Consumption: 20 mA @ full load

Termination:
20 AWG wire 6" leads with mini-fit connector

EMC Emissions: Complies with EN61000-6-4:2007 Class A Group 1, 80-1000 MHz

EMC Immunity: Complies with or exceeds EN61000-6-2:2005, expanded to include:
RFI Immunity of 100 V/M @ 80-1000 MHz
ESD Immunity of 15Kv air, 8Kv contact

CANOpen, J1939 or basic CAN protocols

Can Specifications 4 analog inputs
8 digital inputs
2 digital outputs

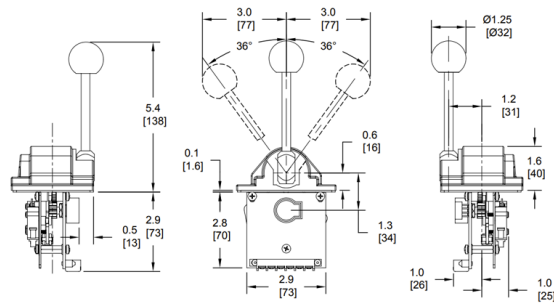
See a complete listing of CANbus technical data in ESS408 CAN Based Interface Module Board literature

Additional Specifications Reference product literature for additional specifications

Technical Drawings

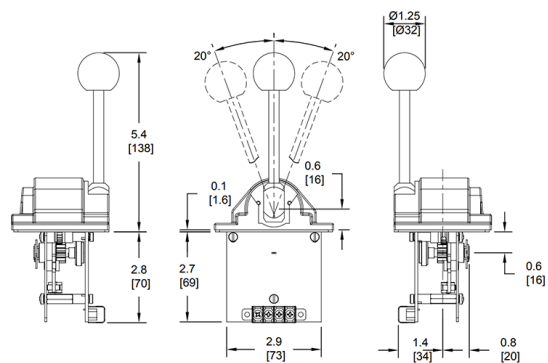
Dimensional

All dimensions in inches [mm] and are subject to change.

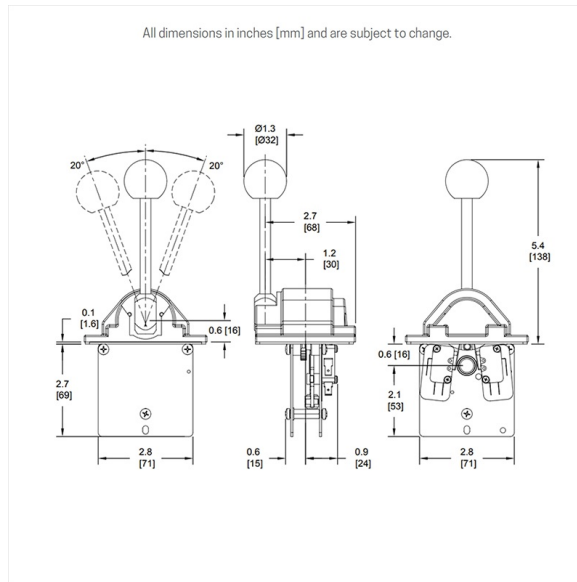


PRO-5 dimensions with round ball handle and potentiometer board.

All dimensions in inches [mm] and are subject to change.

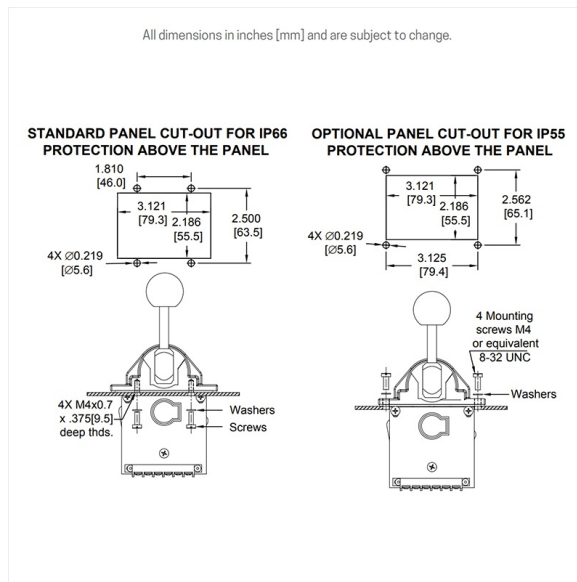


PRO-5 hall-effect dimensions. Shown with round ball handle.



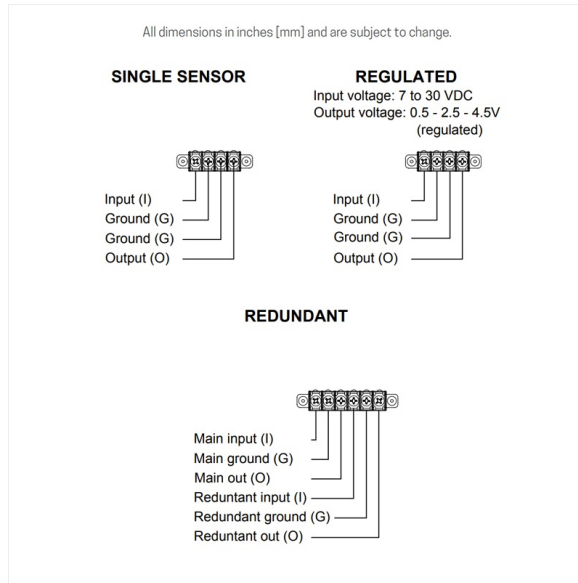
PRO-5 bang/bang dimensions with round ball handle and microswitches.

Mounting



Standard and optional mounting details.

Wiring



Hall-effect wiring details.