

FG-4 HANDLE

With its narrow and wide body variations, the FG4 fighter grip handle offers countless combination possibilities including the ability to create left and right hand configurations. Designed around comfort and reliability, the FG4 is built to withstand the most demanding applications.



SPECIFICATIONS

GENERAL DATA

Type	Fighter Grip, Multi-Function
Specification Description	Available in narrow and wide body variations, the FG4 fighter grip offers countless combination possibilities and the ability to create left and right hand configurations.
Joystick Compatibility	CS3, CS3 B/B, VNSO, XL-VNSO, VNS2, VCSO, VCS2, CS1, PRO-4, PRO-6

FEATURES AND FUNCTIONALITY

Push Buttons	✓
Rocker Switch	✓
Thumbwheel	✓
Handrest	Yes, optional
Trigger	✗
Operator Presence Switch	✓
Mechanical Interlock	✗
Twist	✓
Capacitive Hand Detection Sensor	✗

TECHNICAL DATA

Handle Height	5 in [127 mm]
---------------	---------------

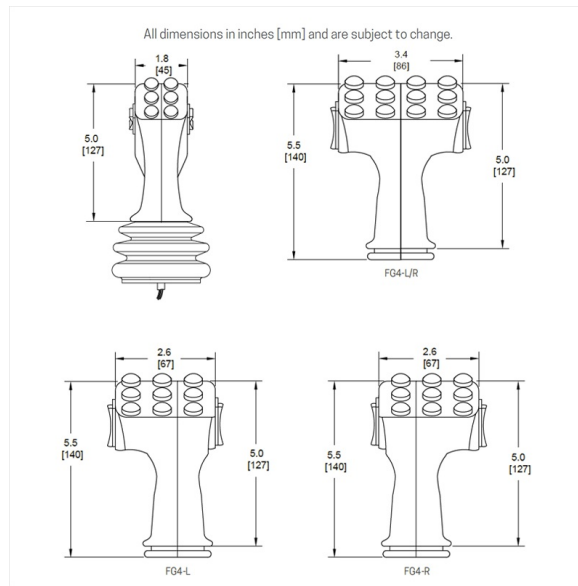
Additional Specifications Reference product literature for additional specifications

ENVIRONMENTAL DATA

IP Rating	IP65
-----------	------

Technical Drawings

Dimensional



FG4 dimensions