

PRO-6 JOYSTICK

The heavy-duty single axis PRO-6 joystick features smooth, field-adjustable friction brake operation for applications where speed must remain constant under continuous shock and vibration. It's designed for a high mechanical life and offers universal mounting capability. Also available in spring return operation and a variety of output types.



SPECIFICATIONS

GENERAL DATA

# of Axis	Single
Output Options	Microswitches, Potentiometer, Hall-Effect, PWM & CAN
Joystick Action	Spring Return or Friction Brake
Handle Travel	+/- 36 degrees for potentiometer
Handle Compatibility	2 Piece, Round Ball, Mechanical Interlock, RH, RHS, BH, FG-3, FG-4, FG-5, MG1, MG2, MG13, MG27, TH30, G56
Life	10 million cycles
Materials	Features a cast housing and gasketing for outdoor use, as well as plated steel sides, self lubricating bearings, hard nickel chromium spring return arms, compression style return spring and brass gears.
Est. Shipping Weight	3 lbs.
Est. Shipping Dimensions	8 in. x 8 in. x 8 in.

MOUNTING DATA

Mounting Style	Drop-in or Panel (from below)
Mounting Footprint	2.26" x 3.46" See literature for additional mounting specifications

ENVIRONMENTAL DATA

IP Rating IP54

Operating Temperature -13 to +158 degrees F [-25 to +70 degrees C]

Storage Temperature -40 to +158 degrees F [-40 to +70 degrees C]

ELECTRICAL DATA

Switch Type:
SPDT (Form C) V Series Microswitches

Max. Number:
Up to 4

Contact Specifications
Current Rating (AC):
11A

Voltage Rating (AC):
250

Termination:
.187" x .20" male quick connect

Max. Wire Size:
18 AWG

Supply Voltage:
4.5 to 5.5 VDC

Output Voltage:
Ratiometric 0.5 - 2.5 - 4.5 +/- 0.15V @ 5.0V supply
Additional supply and output options available

Output Current: 10mA

Hall-Effect Specifications Power Consumption: 20 mA @ full load

Termination:
20 AWG wire 6" leads with mini-fit connector

EMC Emissions: Complies with EN61000-6-4:2007 Class A Group 1, 80-1000 MHz

EMC Immunity: Complies with or exceeds EN61000-6-2:2005, expanded to include:
RFI Immunity of 100 V/M @ 80-1000 MHz
ESD Immunity of 15Kv air, 8Kv contact

Can Specifications CANOpen, J1939 or basic CAN protocols

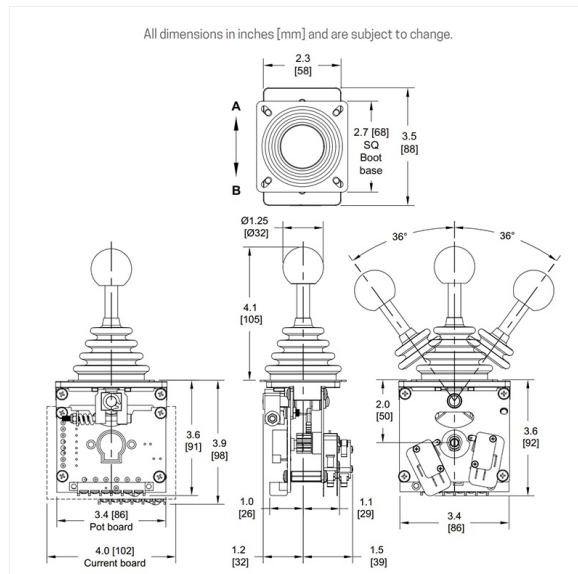
4 analog inputs
8 digital inputs
2 digital outputs

See a complete listing of CANbus technical data in ESS408 CAN Based Interface Module Board literature

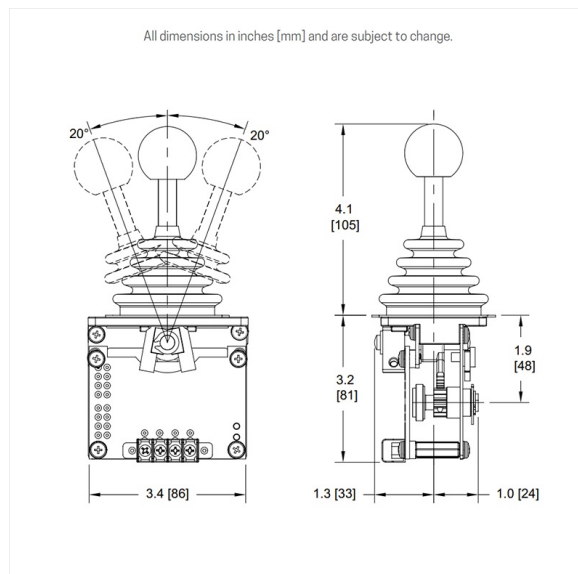
Additional Specifications Reference product literature for additional specifications

Technical Drawings

Dimensional



Standard PRO-6 dimensions. Shown with round ball handle.

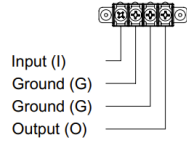


Hall-effect PRO-6 dimensions. Shown with round ball handle.

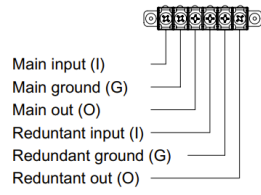
Wiring

All dimensions in inches [mm] and are subject to change.

SINGLE SENSOR



REDUNDANT



Hall-effect wiring details.