

FGC-01-A PORTABLE CONSOLE

The FGC series features a breast plate and simple harness to provide comfortable support to the operator during extended work periods.



SPECIFICATIONS

GENERAL DATA

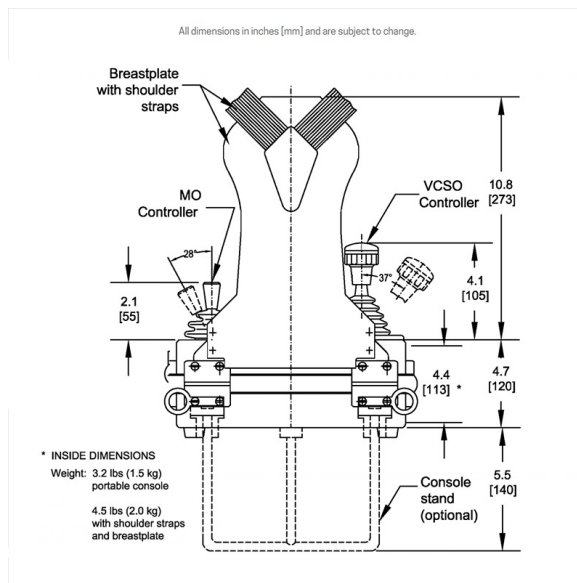
Type	Portable Console
Product Compatibility	VCSO, VCS2, MO, M2, PRO-4, PRO-5, PRO-6, CS3, CS3 B/B, M3 and M4 B/B
Dimensions	11.2" x 5.12" x 7.30"
Est. Weight	3.2 lbs 4.5 lbs (with shoulder straps and breastplate)

ENVIRONMENTAL DATA

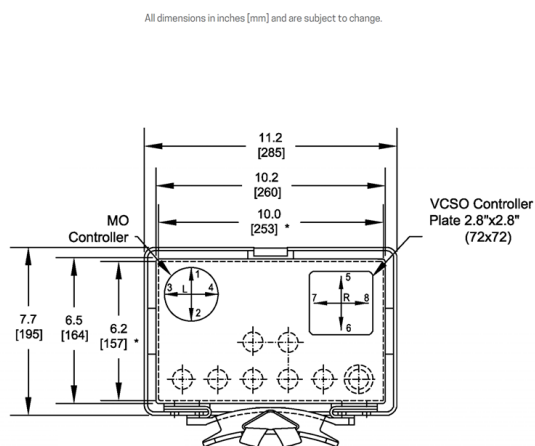
IP Rating	IP65
-----------	------

Technical Drawings

Dimensional



FGC-01-A dimensions



FGC-01-A dimensions & standard device locations